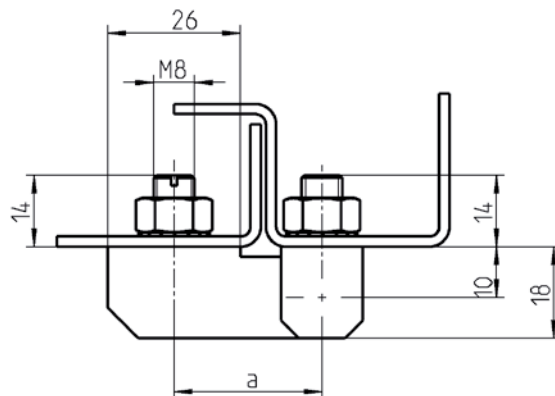
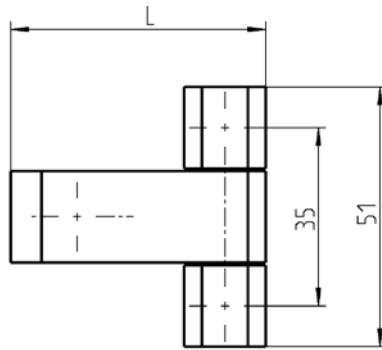
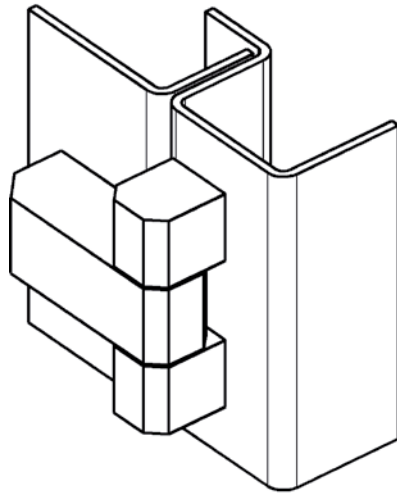


180° Screw-on hinge

PROGRAM 1039, 1055



Screw-on hinge m.s. zinc pl., pin and washer brass nickel pl. or stainl. steel				
L	a	m.s.	AISI 303	AISI 316
50	29	1039-U10	1039-U18	1039-U25
61	40	1039-U11	-	-