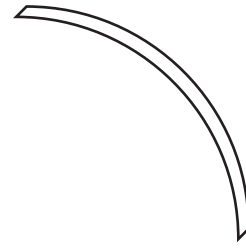


# SÖGRENI

## Assembly Instructions for Sögreni Mudguards



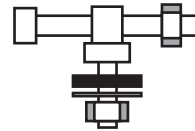
A. Strut.



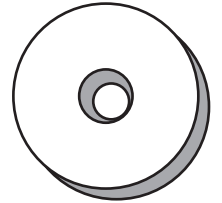
B. Front Mudguard.



C. Sögreni-bolt



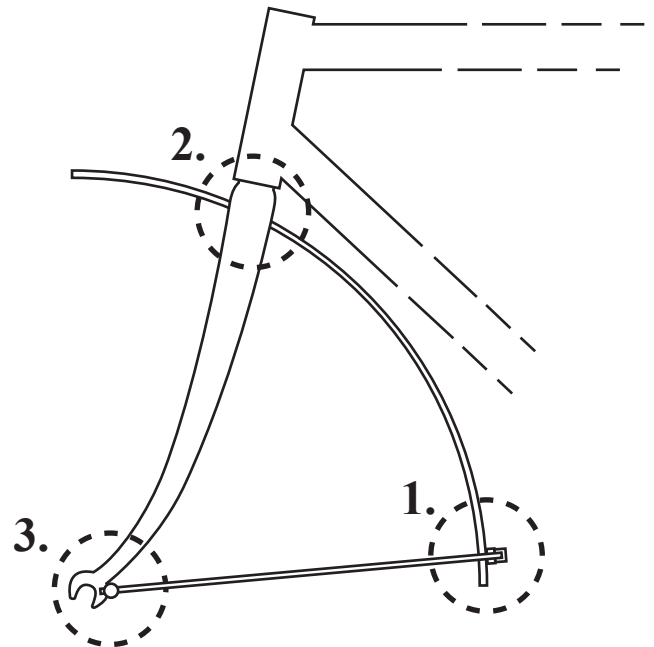
D. Sögreni-fitting.



E. Brass Roundell.

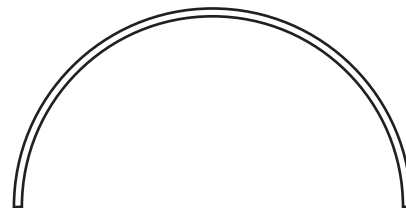
### Front Mudguard

1. Mount the top of the strut (A) to the front mudguard (B) using the Sögreni-bolt attached to the strut.
2. The front mudguard is mounted to the crown of the fork with the fitting (D) which goes all the way through the crown (2).
3. Install a Sögreni-bolt (C) in each eye-let of the fork-blades (3). Mount the ends of the strut (A) in the Sögreni-bolts at position (3). Cut the struts to desired length.



### Rear Mudguard

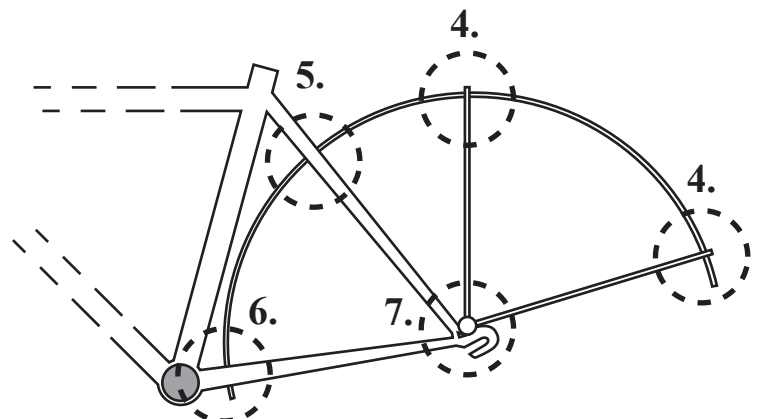
1. Mount the two struts to the rear mudguard (4) with the bolts (B).
2. Mount the rear mudguard to the A-bridge (5) with one allen-bolt (G).
3. The slim end of the mudguard is mounted to the chainstay-bridge (6) with one allen-bolt (G).
4. Place the ends of the struts (A) on their respective side of the wheel (7). Insert them into the two brass roundells (E) and fasten them with the allen-bolt.



F. Rear Mudguard.



G. Allen-bolt



*Congratulations!  
You have successfully installed a pair of  
Sögreni mudguards!*