

DOHAUS®

www.dohaus.com
A2-20, Times Ark
Shijiazhuang City 050000, Hebei Province, China
phone: 0086 311 89943211
info@dohaus.com

Dohaus made in China

We make long-lasting furniture which combines Nordic design principles and Chinese craftsmanship.

Our ambition is to create straightforward, functional and aesthetic products which are designed to integrate into different surroundings.

We believe that well-designed products improve quality of life.

DOHAUS®



“My focus is to create unique, insightful items for everyday use.”

Designer



Mikko Laakkonen was born in Espoo in 1974. After graduating as a musical instrument maker, he studied furniture design at Kymenlaakso University of Applied Sciences, and later received his Masters degree from the University of Art and Design in Helsinki. After working in design and architecture firms for several years, Mikko founded Studio Mikko Laakkonen in 2004. The Studio offers product design services, with the main focus on everyday items. Mikko's designs have been on display in several exhibitions around Europe, the United States, China and Japan.

He has been awarded the number of international and national prizes, including: German Design Award (2017), Turkey Design Award (2016), Reddot design award honourable mention (2016), Chicago Athenaeum's Good Design Award (2016, 2015 & 2010), Muuuz International Awards 2014, Finnish Designer Awards '14: Furniture Designer Of The Year, Reddot: best of the best design award (2013) Reddot design award (2012), and the Young Designer of the Year prize (2009).

DOHAUS®

Mi chair design by Mikko Laakkonen



Mi chair combines plywood shells with solid wood frame. Timeless and recognizable form is designed to match and blend in with surroundings. Mi chair is comfortable, stackable, durable and easy to clean. With different colors and optional upholstered seat and backrest, Mi series is versatile tool for both public and private environments.



DOHAUS®



Mi bar stool design by Mikko Laakkonen



Mi bar stool combines plywood shells with solid wood frame. Timeless and recognizable form is designed to match and blend in with surroundings.

Mi bar stool is comfortable, durable and easy to clean.

With different colors and optional upholstered seat and backrest, Mi series is versatile tool for both public and private environments.



DOHAUS®



Mi counter stool design by Mikko Laakkonen



Mi counter stool combines plywood shells with solid wood frame. Timeless and recognizable form is designed to match and blend in with surroundings. Mi counter stool is comfortable, durable and easy to clean. With different colors and optional upholstered seat and backrest, Mi series is versatile tool for both public and private environments.



DOHAUS®



Mi dining table design by Mikko Laakkonen

DOHAUS®



Mi tables follow timeless and recognizable design of Mi collection. Tables are designed to fit both public and private interiors. Mi table collection includes series of tables in different sizes. The tabletop and frame are both made from solid oak wood, and possible to use different finishes.



Mi square table design by Mikko Laakkonen



Mi tables follow timeless and recognizable design of Mi collection. Tables are designed to fit both public and private interiors. Mi table collection includes series of tables in different sizes. The tabletop and frame are both made from solid oak wood, and possible to use different finishes.



DOHAUS®

YUE chair design by Mikko Laakkonen



Design of the YUE chair makes tribute Chinese traditional calligraphy. Character of YUE is in a concise and fluid form, deriving from pictographic oracle-bone inscription. YUE chair's top arc design fits the back of human body. It is created in graceful line, combining the solid wood bending technical. The connotation of YUE represents family reunion in the Chinese culture since antient times.



DOHAUS®

Wood finishing

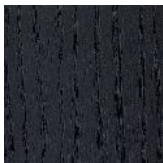
Oak



Ash



Black



Grey



White



With different colors and optional upholstered Mi and YUE collection is versatile tool for both public and private environments.

Upholstery:

68115



60004



66007



62002



63064



63016



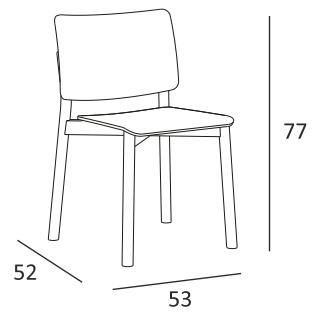
Gabriel / Medley
100% Polyester
Martindale: 75,000
Flammability certified
100% free of heavy metals

DOHAUS®

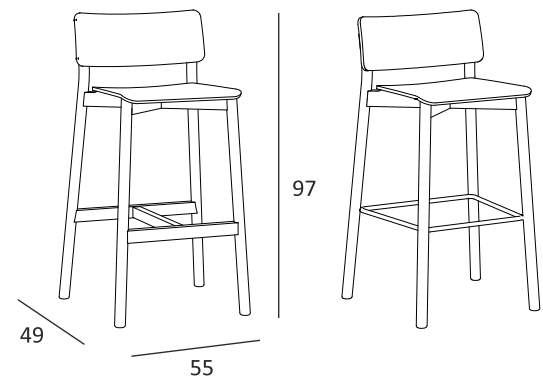


Mi collection

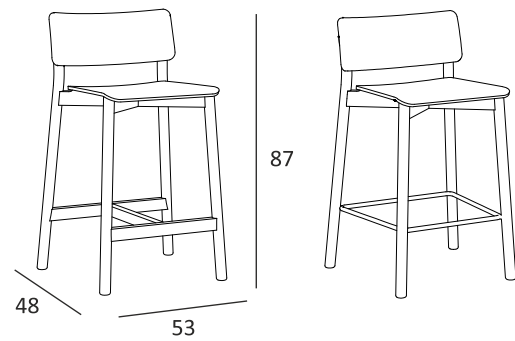
chair



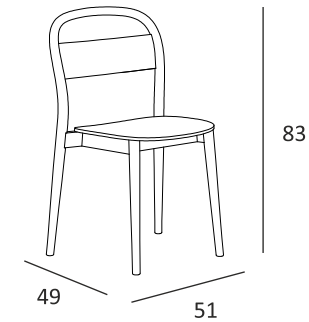
bar stool



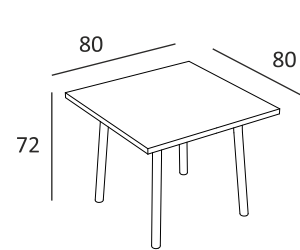
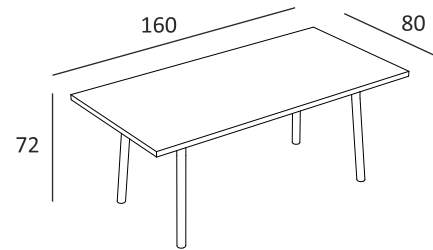
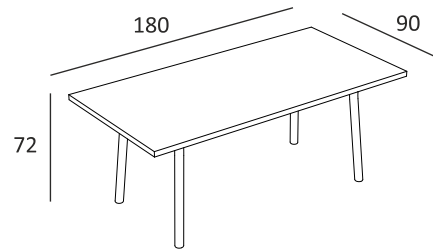
counter stool



YUE collection



table



DOHAUS®

