

WALKING AID
- CATALOGUE -



TRULIFE OVERVIEW

Trulife is an internationally based group with over 60 years' experience in the creation, development, manufacture, and marketing of niche healthcare and consumer products. Trulife manufacture products in Ireland, UK, USA and Canada and maintain a global presence through a network of more than 300 distributor companies in over 90 countries. Our core philosophy is a belief in serving customers' needs through excellence in product innovation and quality.

Trulife is a leading manufacturer and supplier of walking aids in the UK. In addition to our walking aid range, the group activities encompass Orthopaedics, Prosthetics, Breastcare and Pressurecare. Our facility in Sheffield has achieved certification ISO 13485.

Trulife is proud to manufacture products in the United Kingdom and is committed to providing life-changing solutions for the end user.

 **MADE IN BRITAIN**

WARRANTY

All Trulife products are supplied with a 12-month warranty from date of first use. This covers defective design, workmanship and materials used in manufacture.

CONTENTS

Adjustable Aluminium Stick	4
Ergo Handled Walking Stick	4
Ergo Adjustable Stick	4
Tripod	5
Trough Crutches	5
Tetrapod	6
Heavy Duty Fixed Height Crutches	6
Budget Crutches	7
Coloured Crutches	7
Soft Handled Crutches	8
Soft Grip Comfort Handle Crutches	9
Slimline Wheeled Frame	9
Compact Wheeled Frame	10
Dementia Frame – Red Frame	10
Domestic Wheeled Frame	11
Hospital Wheeled Frame	11
Compact Adjustable Frame	12
Domestic Frame	12
Slimline Adjustable Frame	13
Heavy Duty Frame	13
Hospital Adjustable Frame	14
Compact Trough Frame	14
Wheeled Trough Frame	15
Single Trough Walking Frame	15
Children’s Tripod & Tetrapod	16
Children’s Elbow Crutches	16
Children’s Walking Frame	17
Children’s Wheeled Walking Frame	17
Wheel Units	18
Rubber Tips	18

ADJUSTABLE ALUMINIUM STICK

- Contoured one-piece moulded handgrip
- Anti-rattle sleeve
- Maximum weight 20st (125kgs)
- Tip size 19mm

MODEL NO.	HEIGHT	WEIGHT
RM490574	72 - 100cm	360g



ERGO HANDLED WALKING STICK

- Ergonomically shaped handle, available in left and right versions
- Maximum weight 20st (125kgs)
- Tip size 19mm

MODEL NO.	HEIGHT	HAND	COLOUR
RM492000	74 - 102cm	Left	Aluminium
RM492001	74 - 102cm	Right	Aluminium



ERGO ADJUSTABLE STICK

- Finished in black
- Ergonomically shaped hand grip (Fischer style)
- Left and right handed versions
- Adjustable in height
- Max weight 16st (100kgs)
- Tip size 17mm

MODEL NO.	HEIGHT	WEIGHT	HAND
RM494501	91cm	325g	Left
RM494500	91cm	325g	Right



TRIPOD

- Swan neck
- Suitable for left or right handed use
- Moulded hand grip
- Maximum weight 20st (125kgs)
- Tip size 16mm

MODEL NO.	HEIGHT	WEIGHT
RM660173	79 - 107cm	1kgs

WITH ERGO HANDLE*:

MODEL NO.	HEIGHT	WEIGHT	HAND
RM660174	79 - 107cm	1kgs	Left
RM660175	79 - 107cm	1kgs	Right

* MADE TO ORDER PRODUCT, PLEASE ALLOW FOR A LONGER LEAD TIME

WIDE BASED TRIPOD OPTIONS:

MODEL NO.	HEIGHT	WEIGHT
RM660195	79 - 107cm	1kgs

WITH ERGO HANDLE*:

MODEL NO.	HEIGHT	WEIGHT	HAND
RM660196	79 - 107cm	1kgs	Left
RM660195	79 - 107cm	1kgs	Right

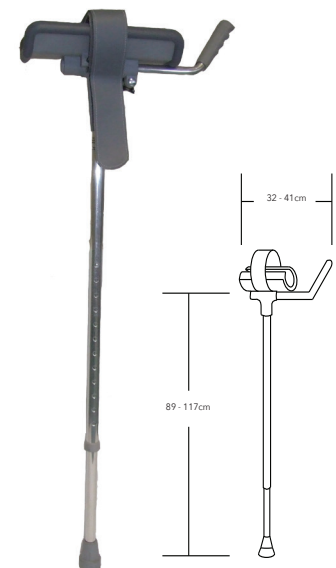
* MADE TO ORDER PRODUCT, PLEASE ALLOW FOR A LONGER LEAD TIME



TROUGH CRUTCHES

- Featuring a robust plastic trough with pad and securing strap
- Handle is adjustable for length and angle
- Available in pairs
- Maximum weight 25st (160kgs)
- Tip size 19mm

MODEL NO.	WEIGHT
RM520201	600g



TETRAPOD

- Swan neck
- Suitable for left or right handed use
- Moulded hand grip
- Maximum weight 20st (125kgs)
- Tip size 16mm

MODEL NO.	HEIGHT	WEIGHT
RM650173	79 - 107cm	1.24kgs

WITH ERGO HANDLE*:

MODEL NO.	HEIGHT	WEIGHT	HAND
RM650174	79 - 107cm	1.24kgs	Left
RM650175	79 - 107cm	1.24kgs	Right

* MADE TO ORDER PRODUCT, PLEASE ALLOW FOR A LONGER LEAD TIME

WIDE BASED TETRAPOD OPTIONS:

MODEL NO.	HEIGHT	WEIGHT
RM650195	79 - 107cm	1.24kgs

WITH ERGO HANDLE*:

MODEL NO.	HEIGHT	WEIGHT	HAND
RM650196	79 - 107cm	1.24kgs	Left
RM650197	79 - 107cm	1.24kgs	Right

* MADE TO ORDER PRODUCT, PLEASE ALLOW FOR A LONGER LEAD TIME



HEAVY DUTY FIXED HEIGHT CRUTCHES

- Steel crutches with a swivelling full armband
- Cut to length to suit permanent crutch users
- Available as pairs
- Maximum weight 30st (190kgs)
- Tip size 22mm

MODEL NO.	HEIGHT	ARMBAND TO HANDLE LENGTH	HANDLE TO TIP LENGTH
RM520300	138cm	28cm	100cm



BUDGET CRUTCHES

- Aluminium crutches with swivelling full armband
- Available as a pair or in singles
- Available as double or single adjustable
- Extra long crutches feature a wider cuff
- Features a new ergonomically designed handle
- Maximum weight 25st (160kgs)
- Tip size 22mm

MODEL NO.	DESCRIPTION	WEIGHT
RM516000	Standard Single Adjustable	625g
RM516100	Medium Single Adjustable	600g
RM516200	X-Long Single Adjustable	660g
RM517000	Standard Double Adjustable	660g
RM517100	Medium Double Adjustable	635g
RM517200	X-Long Double Adjustable	695g



COLOURED CRUTCHES

- Aluminium crutches with swivelling full armband
- Available as pairs or singles
- Available as double or single adjustable
- Features a soft grip handle
- Maximum weight 25st (160kgs)
- Tip size 22mm

MODEL NO.	DESCRIPTION	WEIGHT
RM518100	Red	600g
RM518200	Blue	600g
RM518300	Green	600g
RM518600	Black	600g
RM518700	Bronze	600g
RM518800	Gold	600g

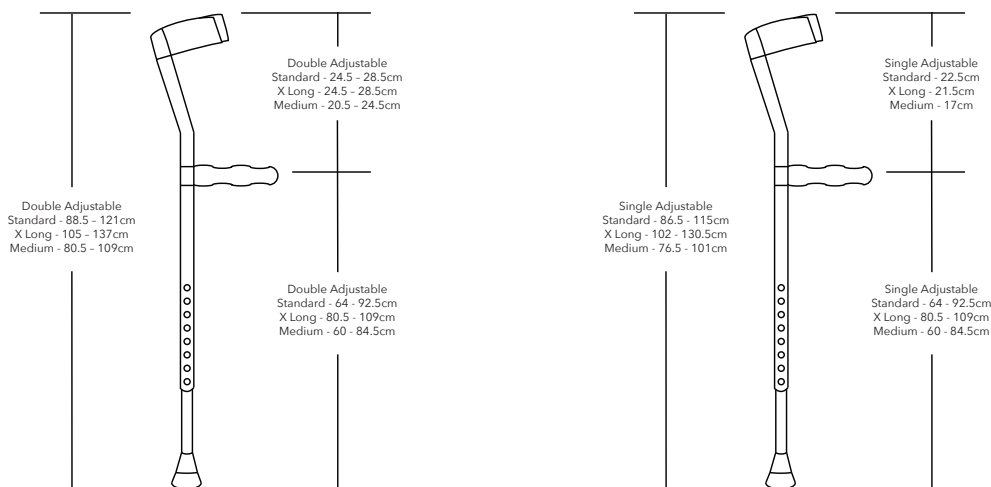


SOFT HANDLED CRUTCHES

- Aluminium crutches with swiveling full armband
- Available as a pair or in singles
- Available as double or single adjustable
- Extra long crutches feature a wider cuff
- Soft grip handle
- Maximum weight 25st (160kgs)
- Tip size 22mm



MODEL NO.	DESCRIPTION	WEIGHT
RM513100	Medium Single Adjustable	600g
RM510700	Standard Single Adjustable	625g
RM511200	X-Long Single Adjustable	660g
RM515000	Medium Double Adjustable	635g
RM512200	Standard Double Adjustable	660g
RM512500	Standard Single Adjustable Paediatric Cuff	660g
RM512700	X-Long Double Adjustable	695g



SOFT GRIP COMFORT HANDLE CRUTCHES

- Features a soft anatomically shaped handle
- Available in double adjustable pairs
- Maximum weight 19st (120kgs)
- Tip size 19mm

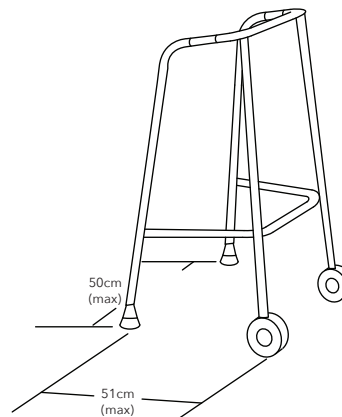
MODEL NO.	COLOUR	WEIGHT	ARMBAND TO HANDLE LENGTH	HANDLE TO TIP LENGTH
RM541000/SH	Red	750g	24 - 29cm	73 - 96cm
RM541001/SH	Blue	750g	24 - 29cm	73 - 96cm
RM541002/SH	Turquoise	750g	24 - 29cm	73 - 96cm
RM541003/SH	Grey	750g	24 - 29cm	73 - 96cm



SLIMLINE WHEELED FRAME

- Aluminium frame with rubber-tyred wheels units to the front legs
- Maximum weight 25st (160kgs)
- Tip size 25mm

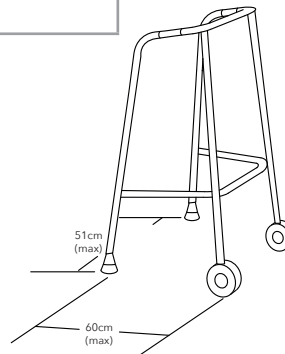
MODEL NO.	HEIGHT	WEIGHT
RM563573	73 - 82cm	1.95kgs
RM563580	81.5 - 90.5cm	2.05kgs
RM563588	89 - 98cm	2.15kgs



COMPACT WHEELED FRAME

- Aluminium frame with rubber-tyred wheel units to the front legs
- Maximum weight 25st (160kg)
- Tip size 25mm

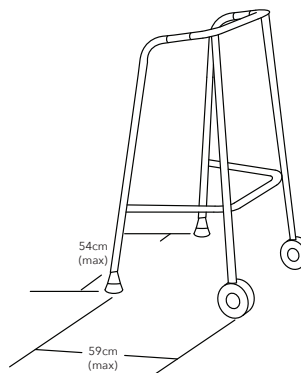
MODEL NO.	HEIGHT	WEIGHT
RM563073	72.5 - 82.5cm	2kgs
RM563080	81 - 90.5cm	2.1kgs
RM563088	88.5 - 90.5cm	2.2kgs
RM563095	96 - 105.5cm	2.3kgs



DEMENTIA FRAME – RED FRAME

- Red frame to help patients with dementia
- Aluminium frame with rubber-tyred wheel units to the front legs
- Maximum weight 25st (160kg)
- Tip size 25mm

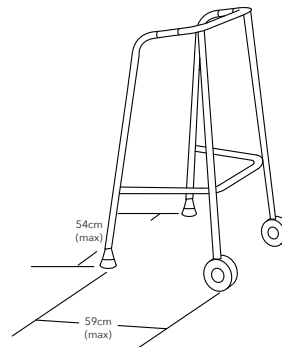
MODEL NO.	HEIGHT	WEIGHT
RM563380/RED	80 - 90cm	2.1kgs
RM563388/RED	88 - 98cm	2.2kgs



DOMESTIC WHEELED FRAME

- Aluminium frame with rubber-tyred wheel units to the front legs
- Maximum weight 25st (160kgs)
- Tip size 25mm

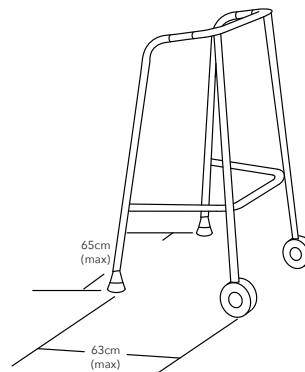
MODEL NO.	HEIGHT	WEIGHT
RM563373	70 - 79.5cm	2kgs
RM563380	78.5 - 88cm	2.1kgs
RM563388	86.5 - 95.5cm	2.2kgs



HOSPITAL WHEELED FRAME

- Aluminium frame with rubber-tyred wheels units to the front legs
- Maximum weight 25st (160kgs)
- Tip size 25mm

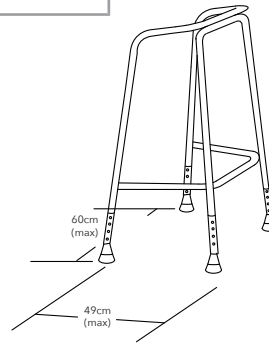
MODEL NO.	HEIGHT	WEIGHT
RM564067	66.5 - 76cm	2.1kgs
RM564077	77 - 86cm	2.2kgs
RM563588	87 - 96.5cm	2.3kgs



COMPACT ADJUSTABLE FRAME

- Aluminium frame with grey non-marking tips and one-piece hand grips
- 10cm of height adjustment in 2cm increments
- Maximum weight 25st (160kgs)
- Tip size 25mm

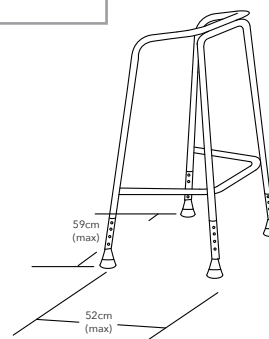
MODEL NO.	HEIGHT	WEIGHT
RM551572	71.5 - 82cm	1.8kgs
RM551579	80 - 90cm	1.9kgs
RM551587	87.5 - 97.5cm	2kgs
RM551595	95 - 105cm	2.1kgs



DOMESTIC FRAME

- Aluminium frame with non-marking tips and one-piece hand grips
- 10cm height adjustment in 2cm increments
- Maximum weight 25st (160kgs)
- Tip size 25mm

MODEL NO.	HEIGHT	WEIGHT
RM553572	70 - 79.5cm	1.8kgs
RM553579	78.5 - 85cm	1.9kgs
RM553587	86.5 - 95.5cm	2kgs



SLIMLINE ADJUSTABLE FRAME

- Aluminium frame with grey non-marking tips and one-piece hand grips
- 10cm of height adjustment in 2cm increments
- Maximum weight 25st (160kgs)
- Tip size 25mm

MODEL NO.	HEIGHT	WEIGHT
RM552072	72 - 82cm	1.7kgs
RM552079	80.5 - 90cm	1.8kgs
RM552087	88 - 97.5cm	1.9kgs



HEAVY DUTY FRAME

- Reinforced structure for bariatric patients
- Front wheeled option available
- Height adjustable
- Soft Grip Handle
- Width between back legs 70cm
- Front to back depth 41cm
- Max weight 35st (220kg)
- Tip size 25mm

MODEL NO.	DESCRIPTION	HEIGHT	WEIGHT
RM597579	Non Wheeled	81 - 90.5cm	2.9kgs
RM597587	Non Wheeled	89 - 98.5cm	3.1kgs
RM598580	Wheeled	83 - 92cm	2.9kgs
RM598588	Wheeled	89.5 - 99cm	3.1kgs



HOSPITAL ADJUSTABLE FRAME

- Aluminium frame with grey non-marking tips and one-piece hand grips
- 10cm of height adjustment in 2cm increments
- Maximum weight 25st (160kgs)
- Tip size 25mm

MODEL NO.	HEIGHT	WEIGHT
RM552666	66 - 75cm	1.7kgs
RM552676	76.5 - 85cm	1.9kgs
RM552686	86.5 - 95.5cm	2.1kgs



COMPACT TROUGH FRAME

- Robust steel troughs lined with easy to clean, pressure-relieving padding
- Handles are adjustable for both length and angle
- Maximum weight 25st (160kgs)
- Tip size 25mm

MODEL NO.	HEIGHT	WEIGHT
RM574583	83 - 92.5cm	3.1kgs
RM574598	100 - 109.5cm	3.3kgs



WHEELED TROUGH FRAME

- Robust steel troughs lined with easy to clean, pressure-relieving padding
- Rubber wheel units to the front legs
- Handles are adjustable for both length and angle
- Maximum weight 25st (160kgs)
- Tip size 25mm

MODEL NO.	HEIGHT	WEIGHT
RM585073	72 - 81.5cm	3.1kgs
RM585093	84 - 93.5cm	3.3kgs
RM585098	100.5 - 110cm	3.5kgs



SINGLE TROUGH WALKING FRAME

- Robust steel trough lined with easy to clean, pressure-relieving padding
- Rubber wheels units to both legs
- Handle is adjustable in both height and angle
- Maximum weight 25st (160kgs)
- Tip size 25mm

MODEL NO.	HEIGHT (FLOOR TO CENTRE OF TROUGH)	MAX WIDTH	MAX DEPTH
RM587100	68.5 - 77cm	61cm	52cm
RM587200	93 - 102.5cm	60.5cm	49cm
RM587300	108 - 117.5cm	60cm	51cm



CHILDREN'S TRIPOD & TETRAPOD

- Steel tetrapod and tripod with a swan neck
- Moulded hand grip
- Suitable for left or right handed use
- Maximum weight 20st (125kgs)
- Tip size 16mm

MODEL NO.	DESCRIPTION	HEIGHT	WEIGHT
RJ802557	Tetrapod	64 - 79cm	995g
RJ813057	Tripod	64 - 79cm	995g



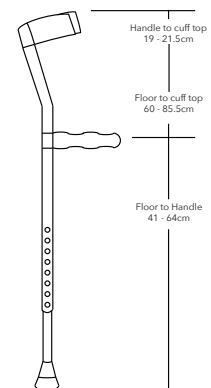
CHILDREN'S ELBOW CRUTCHES

- Aluminium crutches with swivelling full armband and contoured handgrip
- Available in pairs
- Maximum weight 16st (100kgs)
- Tip size 19mm

MODEL NO.	COLOUR
RJ781800	Green
RJ781801	Blue
RJ781802	Purple
RJ781803	Yellow*
RJ781804	Orange*



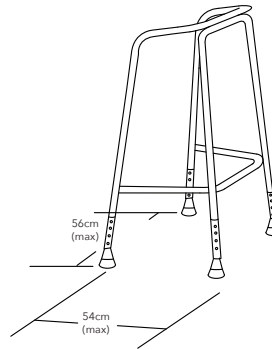
* MADE TO ORDER PRODUCT, PLEASE ALLOW FOR A LONGER LEAD TIME



CHILDREN'S WALKING FRAME

- Aluminium frame with grey non-marking tips
- Maximum weight 16st (100kgs)
- Tip size 25mm

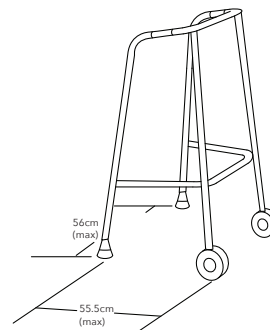
MODEL NO.	HEIGHT	WEIGHT	COLOUR
RJ790200	57.5 - 66.5cm	1.5kgs	Green
RJ790100	57.5 - 66.5cm	1.5kgs	Gold



CHILDREN'S WHEELED WALKING FRAME

- Aluminium frame with grey non-marking tips
- Maximum weight 16st (100kgs)
- Tip size 25mm

MODEL NO.	HEIGHT	WEIGHT	COLOUR
RJ790700	58 - 67cm	1.7kgs	Green
RJ790600	58 - 67cm	1.7kgs	Gold



RUBBER TIPS

- Z type – Grey, D type – Black and coloured tips.
All non-marking and suitable for use with Coloured and Comfort Crutches
- Tip Size 16 – 25mm

D TYPE:

MODEL NO.	TIP SIZE
RM670516	16mm
RM670519	19mm
RM670522	22mm
RM670525	25mm



Z TYPE:

MODEL NO.	TIP SIZE
RM671016	16mm
RM671019	19mm
RM671022	22mm
RM671025	25mm

COLOURED:

MODEL NO.	TIP SIZE
RM671040	Red
RM671041	Blue
RM671042	Turquoise
RM671043	Purple
RM671044	Grey
RM671045	Black



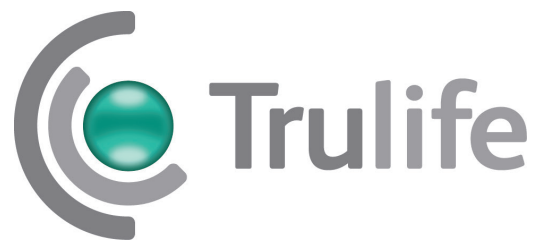
WHEEL UNITS

- Sturdy, grey, non-marking rubber-tyred, wheels mounted on adjustment legs
- Complete with springs
- Sold in sets of 2

MODEL NO.	HEIGHT	TUBE DIAMETER
RM681510	10cm	25cm







Trulife, 41 Amos Road, Meadowhall Sheffield, UK S9 1BX
t: +44 (0) 1142 618100 **f:** +44 (0) 1142 618188 **e:** info@trulife.co.uk
www.trulife.com

 **MADE IN BRITAIN**