

#### Kit Contents

Description	Part No	Pcs
Shock absorber	RE 911	2
Tool preload adjuster	03199-03	1
Washer	03118-13	4
Sticker set "ÖHLINS"	10207-01	1
Owners manual	07241-02	1

#### **Note!**

Please note that this image is a general representation of the product and may differ slightly from your product.

#### **Note!**

Please note that during storage and transportation, especially at high ambient temperature, some of the oil and grease used for assembling may leak and stain the packaging. This is in no way detrimental to the product, wipe off the excessive oil/grease with a cloth.

#### **Note!**

Before installing this product, check the contents of the kit. If anything is missing, please contact an Öhlins dealer.

#### **Warning!**

Before installing this product, read the Öhlins Owner's Manual. The shock absorber/front fork/steering damper is an important part of your vehicle and will affect the stability.

## Shock absorber for Royal Enfield Interceptor/Continental650

# RE 911

## Mounting Instructions

# MOUNTING INSTRUCTIONS

**⚠ Warning!**

*It is advisable to have an Öhlins dealer install the shock absorber.*

**⚠ Warning!**

*If working on a raised vehicle, ensure it is securely supported so that it will not tip over.*

**👁 Note!**

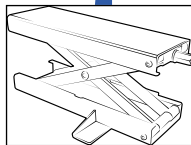
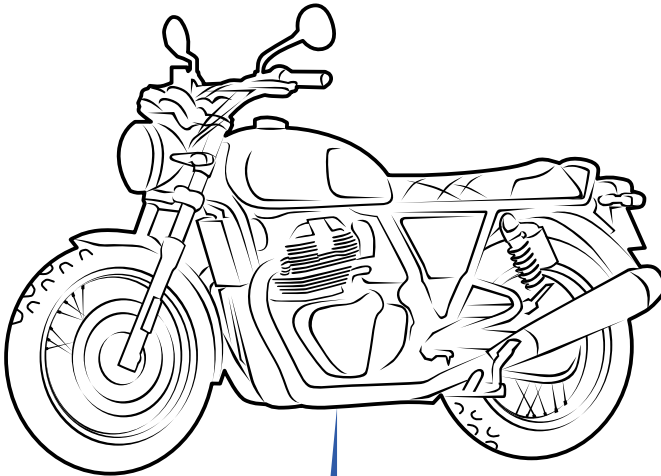
*Before mounting this product clean the vehicle thoroughly.*

**👁 Note!**

*When working on this product, always see the Vehicle Service Manual for vehicle specific procedures and important data.*

1.

Put the motorcycle on a work stand so that the rear wheel barely touches the ground. Make sure the motorcycle is in a stable position.



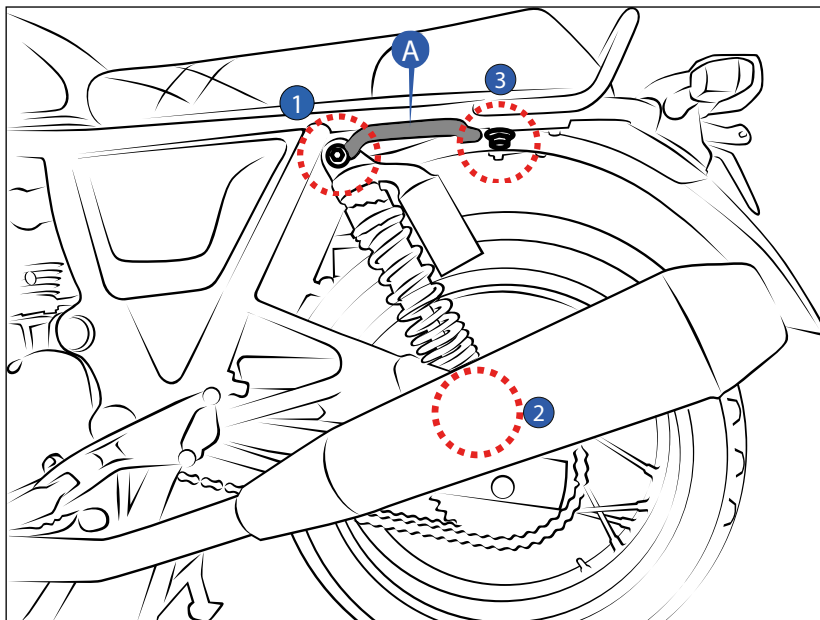
# MOUNTING INSTRUCTIONS

2.

Loosen the upper and lower mounting bolts  
① ② on both side of the motorcycle in order  
to remove the standard shock absorber.

2.1 -Applies to Interceptor 650 only-

Loosen the screw ③ on the left side of the  
motorcycle in order to remove the grab bar ④



# MOUNTING INSTRUCTIONS

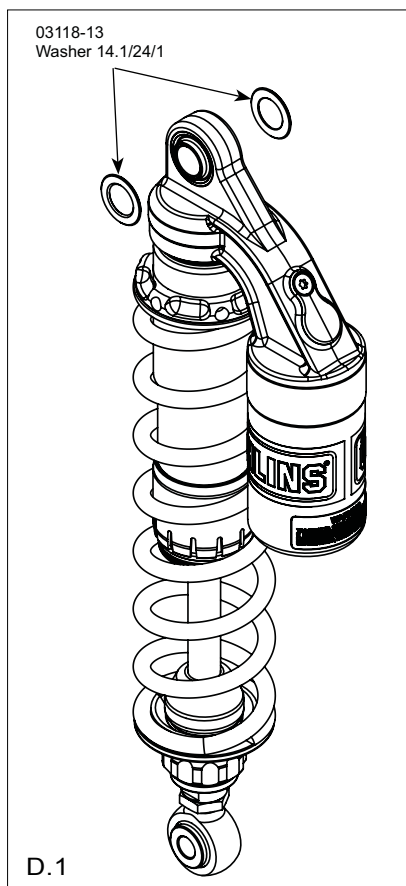
## **Note!**

*Install the supplied washers 03118-13 as per diagram D.1*

3.  
Install the Öhlins shock absorber by tightening the upper and lower mounting bolts ① ②.

Tighten at a torque value as specified in the vehicle service manual.

Reverse all the procedure as necessary.



# MOUNTING INSTRUCTIONS

Page intentionally left blank

# MOUNTING INSTRUCTIONS

Page intentionally left blank

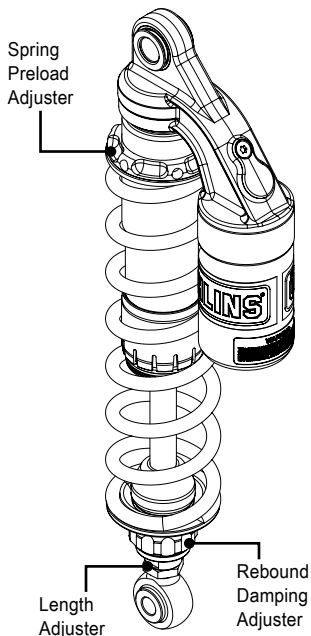
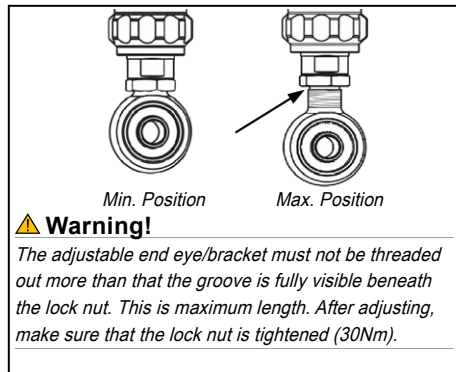
# MOUNTING INSTRUCTIONS

Page intentionally left blank

# ADJUSTMENTS

## ⚠ Warning!

Before riding, always make sure that the basic settings made by Öhlins are according to recommended Set-up Data. Read about adjustments and setting up in the Öhlins Owner's Manual before you make any adjustments. Contact an Öhlins dealer if you have any questions about setting up.



# SET-UP DATA

## Recommended set-up

Spring Preload..... 3 mm.  
Rebound adjuster ..... 20 Clicks

## Spring

Part No ..... 60480-14  
Free spring length..... 230 mm.  
Spring rate..... Prog. 20-28 N/mm  
Preload adj.range..... [0-39] mm

## Shock absorber data

Length ..... 360 <sup>+8</sup>/<sub>-2</sub> mm.  
Stroke ..... 91 mm.

👁 Öhlins products are subject to continuous improvement and development, therefore, although these instructions include the most up-to-date information available at the time of printing, minor updates may occur.

To find the latest information contact an Öhlins distributor. Please contact Öhlins if you have any questions regarding the contents in this document.

Part no. MI\_RE911  
Issued 2019-03-28

© Öhlins Asia Co. Ltd. All rights reserved. Any reprinting or unauthorized use without the written permission of Öhlins Racing AB is prohibited.

Öhlins Asia Co. Ltd  
700/937 Moo5, Tambol Nongkhaga,  
Amphur Phantong, Chonburi Province  
20160 Thailand



[www.ohlins.com](http://www.ohlins.com)