



GfA-ELEKTROMATEN Australia Pty Ltd

ABN: 90 133 036 530

P.O.BOX 267

Roseville 2069

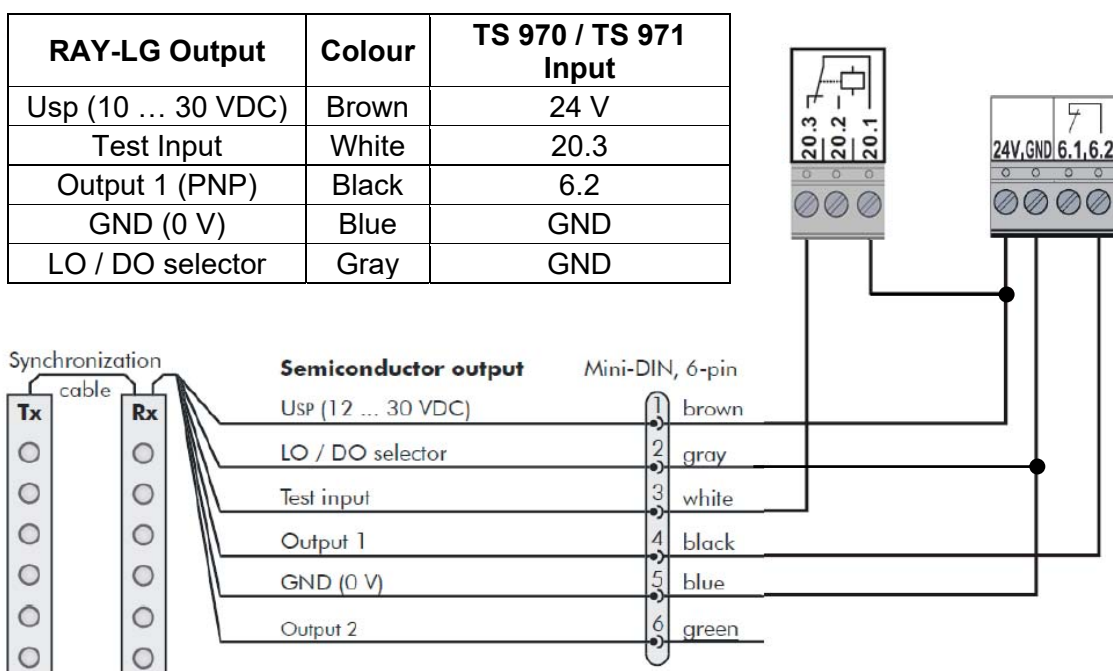
Telephone: +61 (2) 9882 2782

Facsimile: +61 (2) 9882 2783

gfa-elektromaten.net

sales@gfa-elektromaten.net

Connection Diagram RAY-LG Light curtain to TS 970 / TS 971



Relay X20 input 20.1 bridged with 24V Output

Controller Settings – TS 970 / TS 971:

In the programming menu go to **Function 2.7** for Relay X20 and set to 1.4

Controller Settings – TS 971:

Alternative you can use Relay X21 and set **Function 2.8** to 1.4