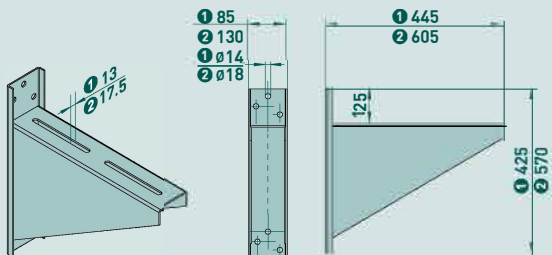
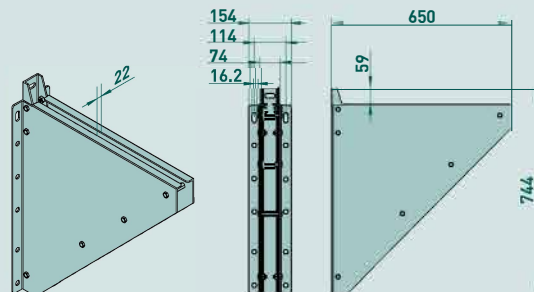


Bracket [5kN & 12 kN]



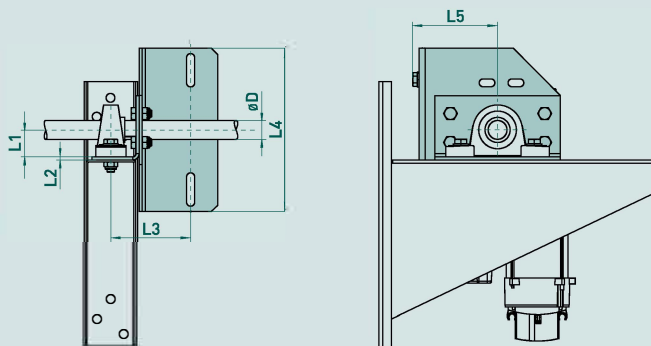
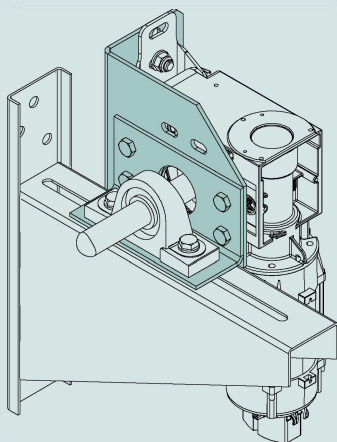
Series	Part no.	Max. load
SG63F / SG85F ①	40006488	5 kN
SG115F (SSI 140.7) ②	40012396	12 kN

Bracket (29 kN)



Series	Part no.	Max. load
SG115F (SI 180.6)	40016189	29 kN

Torque bracket



Series	Ø D	Part no.	L1	L2	L3	L4	L5
SG63F / SG85F	30	30002930	42,9	5	127	260	135
SG85F	40	30002930	49,2	5	127	260	135
SG115F	55	30003162	63,5	6	174	350	148
SG115F	60	30003162	69,8	6	174	350	148

■ Right- or left-hand use
 ■ ELEKTROMATEN vertical (as shown) or horizontal

■ For mounting with floating foot additional requirements: Bracket (5kN & 12 kN), Bearing and Shaft