



M1 EVO

INSTRUCTION MANUAL

**This manual is applicable to
M1EVO-A-SDK
M1EVO-R-SDK
M1EVO-MC-SDK**

MIEVO is a remaster of the Small Form Factor (SFF) icon M1 Classic.

With significant improvements in compatibility, thermal ceiling, build quality, and space efficiency, MIEVO represents the intersection of space optimization, thermal optimization, and premium build quality.

This manual shows some of the build possibilities in the MIEVO. For more advanced builds, please visit www.sffgurus.com, where a community of enthusiasts can help you do more with of your MIEVO.



INSTRUCTION MANUAL

01 What Is in the box

02 Build Guide

Component Guide

Screw List

Pre-Configuration Build

M1 Configuration Build

M1 Flipped Configuration Build

M1 Vertical GPU Configuration Build

Outer Panels Install & Removal

03 Optional Steps

Case Feet

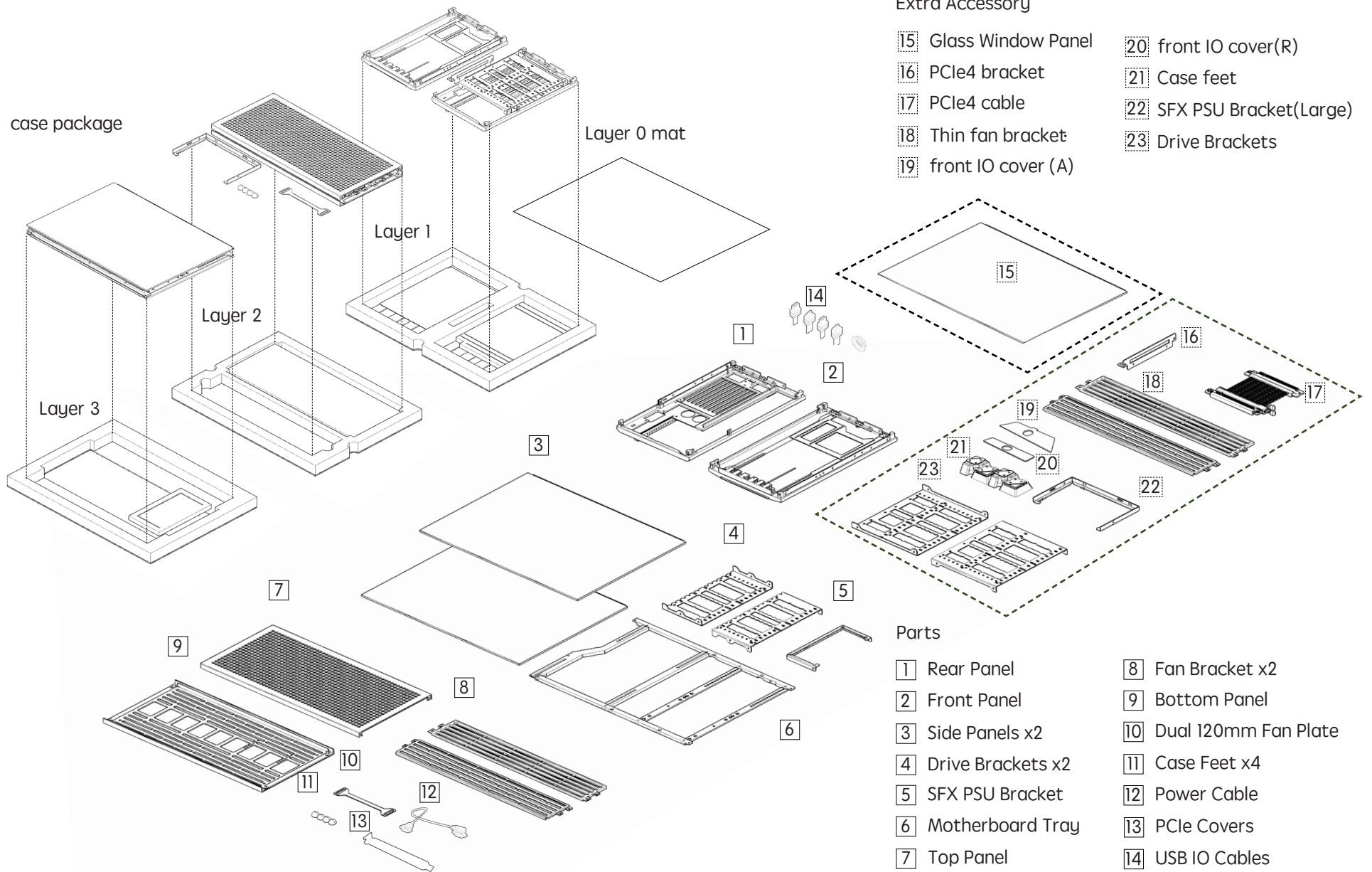
Hard Drives

PCIe IO Covers

Front IO Cover

Case Fans

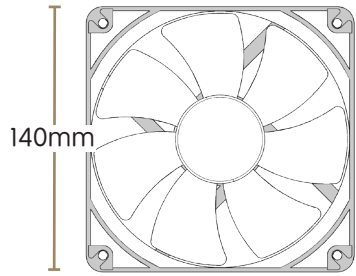
What Is In The Box



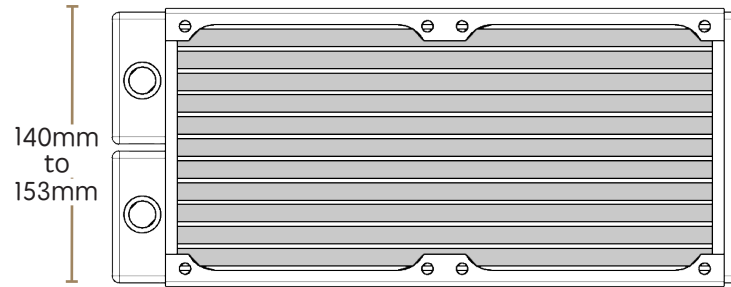
Build Guide

Component Guide

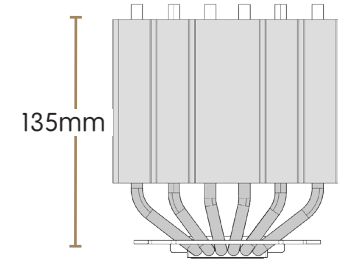
For more advanced builds, please visit www.sffgurus.com, where a community of enthusiasts can help you do more with of your M1EVO.



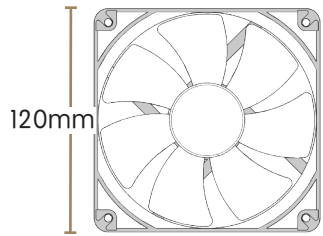
140mm fans ≤ 30mm thick



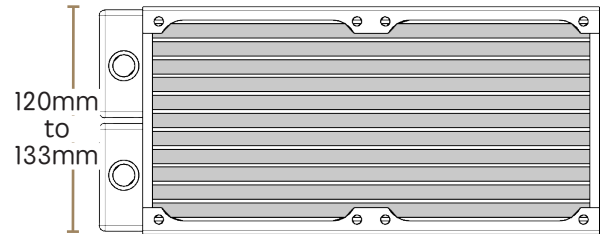
280mm radiators ≤ 40mm thick



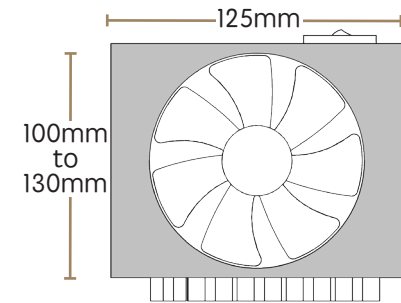
air cooler



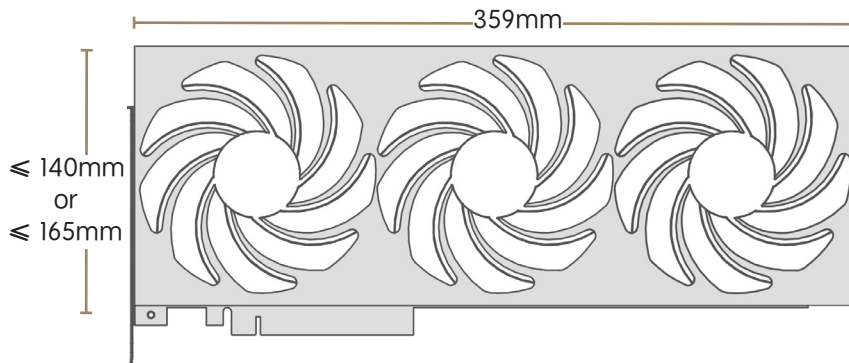
120mm fans ≤ 30mm thick



240mm radiators ≤ 40mm thick



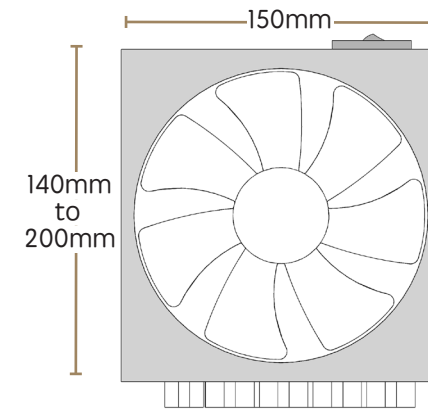
SFX & SFX-L PSU



GPU



4 slot



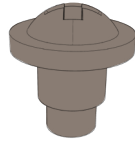
ATX PSU

Build Guide

Screw List

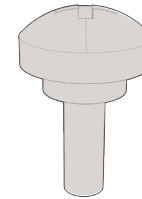
M3-HDD-8

M3 HDD Screw



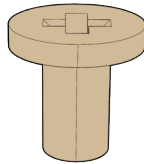
M3-TB-10

M3 Thumb Screw



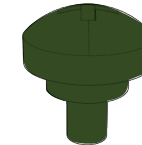
M3-F-5

M3 Flat Head Screw



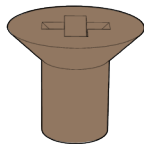
M3-TB-6

M3 Thumb Screw



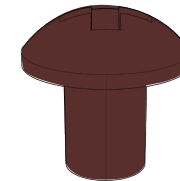
M3-CS-5

M3 Countersunk Screw



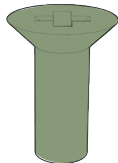
M4-R-8

M3 Round Head Screw



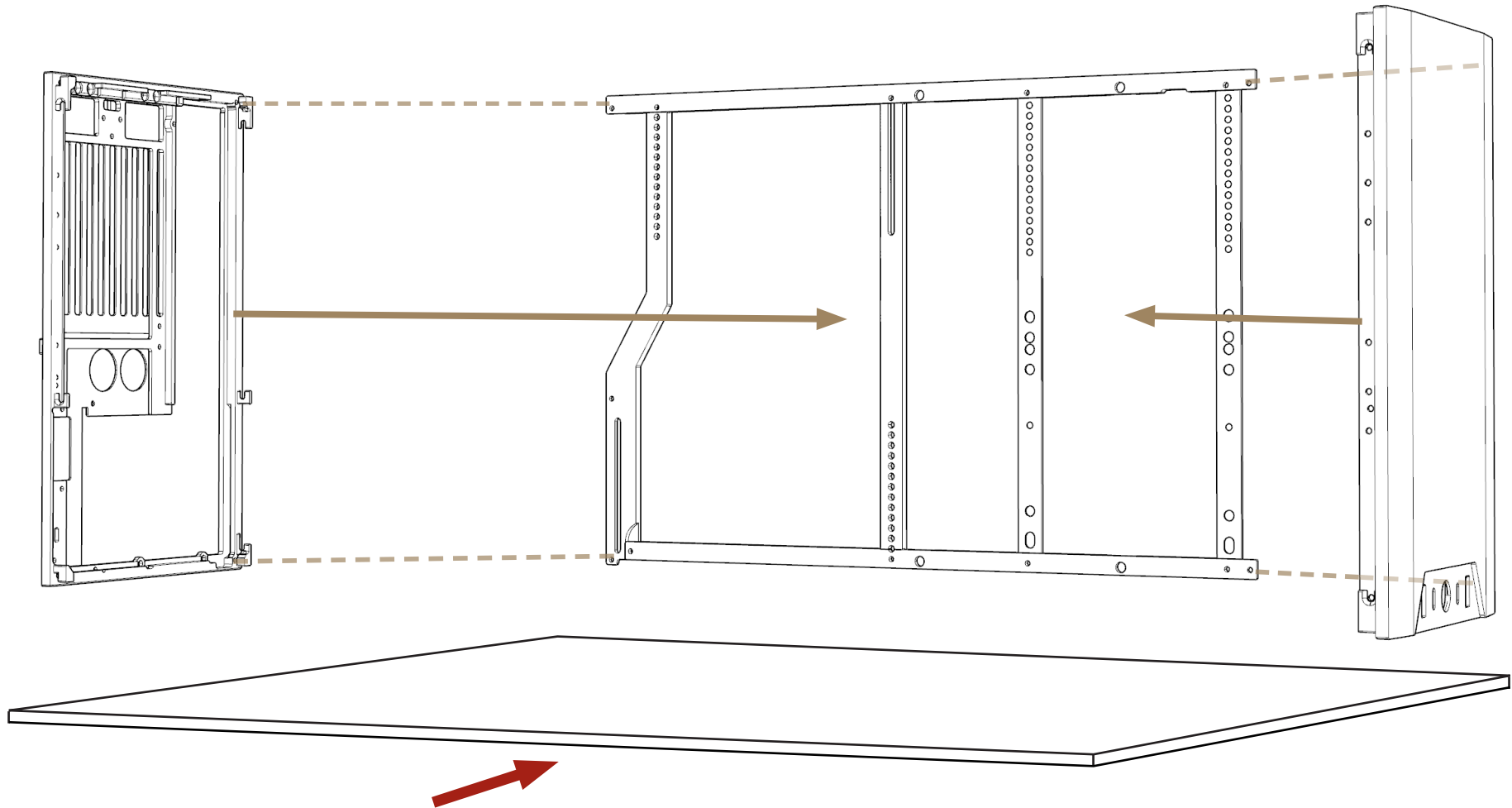
M3-CS-8

M3 Countersunk Screw



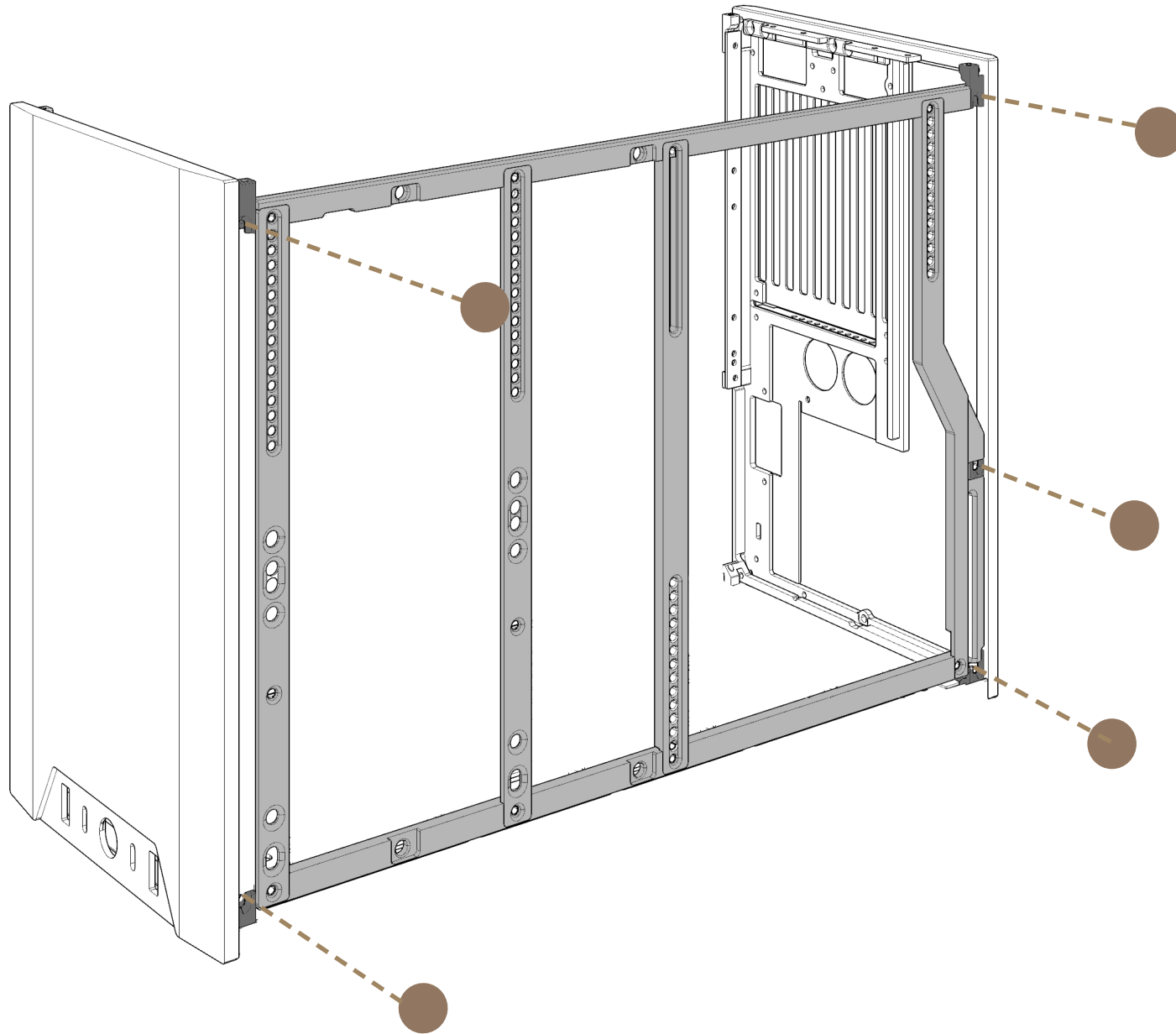
Build Guide

Pre-Configuration Build

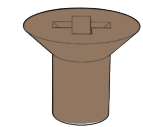


Avoid scratching your build!
Use the thin foam sheet inside the box as a case mat!

Build Guide



Draft V 0.95

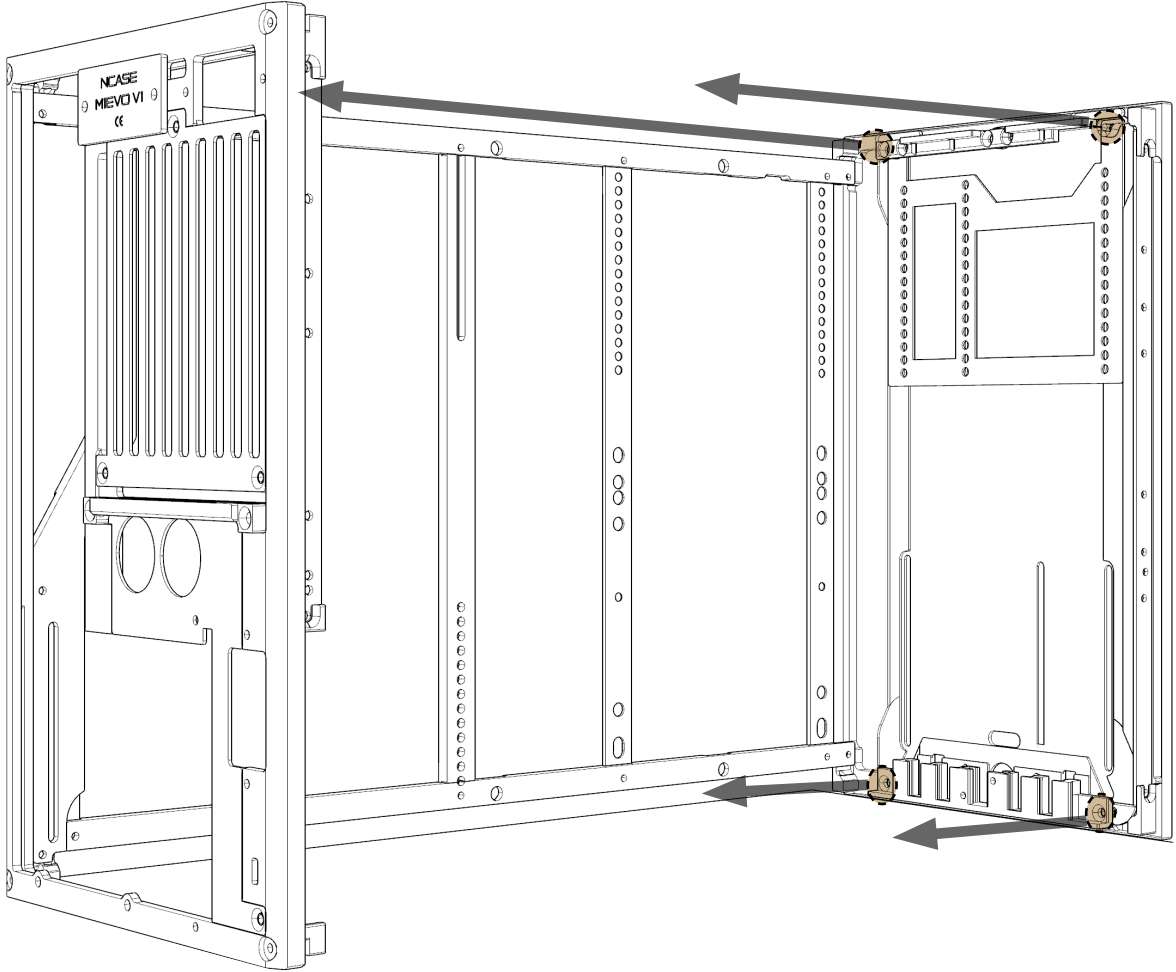


X5

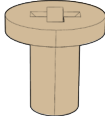
M3-CS-5

Build Guide

Pre-Configuration Build



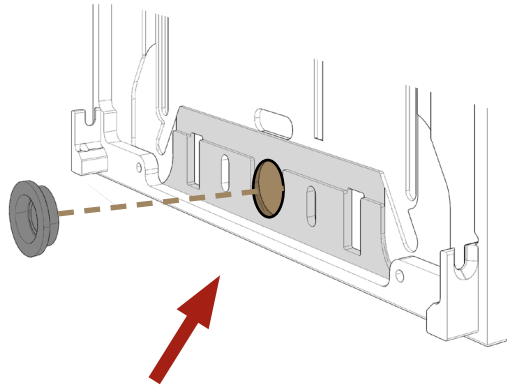
Remove screws



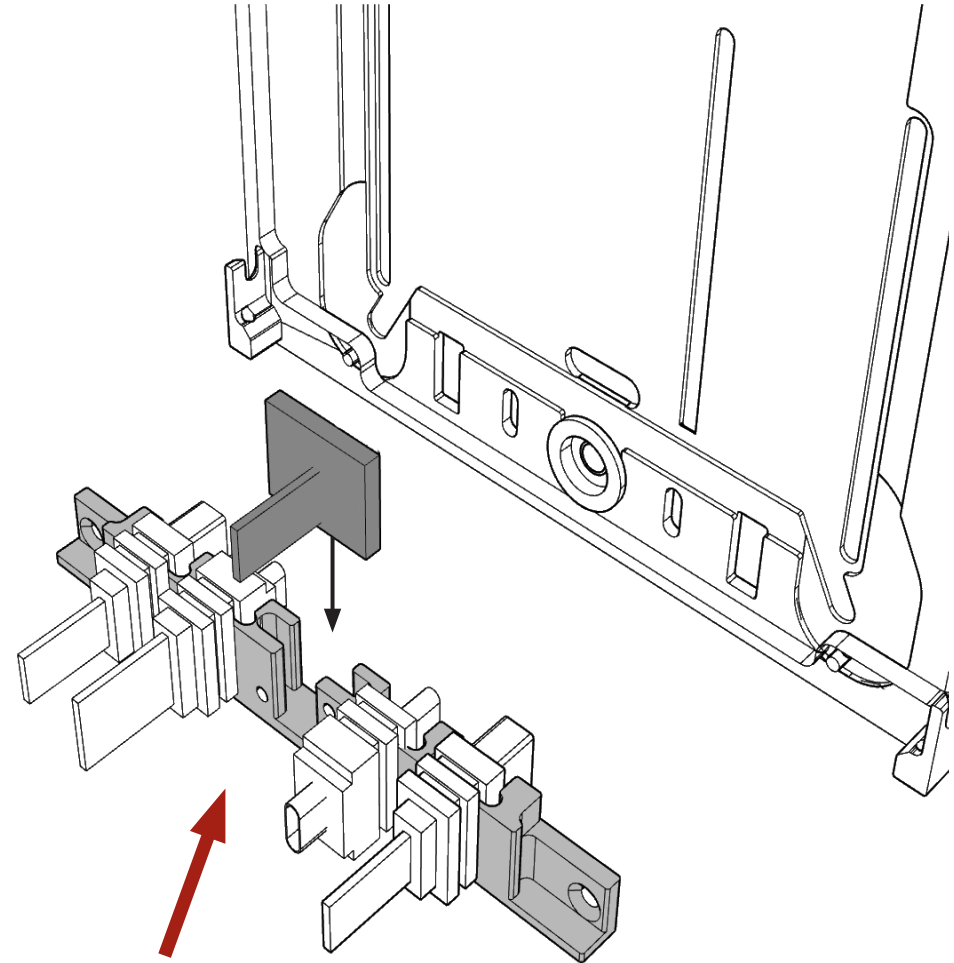
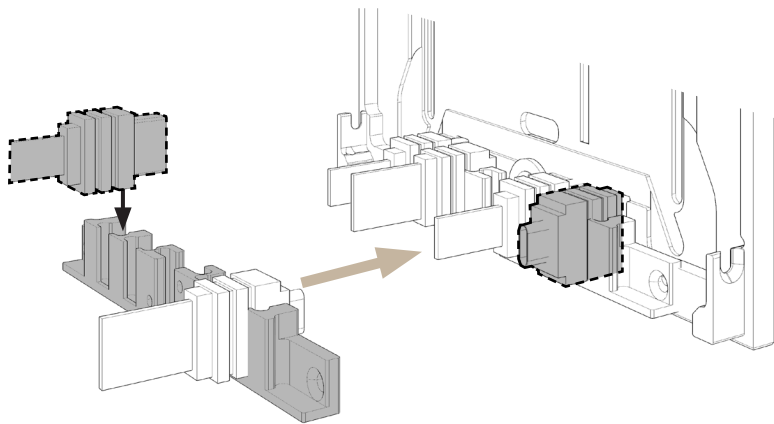
- 4

Build Guide

Pre-Configuration Build



Install Power Button Cap first.



**Place the power button PCB in the middle slot.
*REMOVE the yellow film on the Power Button Switch LED before installation.**

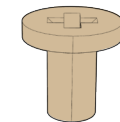
Build Guide

Pre-Configuration Build

Use screws to PRESSURE FIT the power button PCB

Install the original screws

This adapter is designed to connect to an external Type C-Female to Male cable,



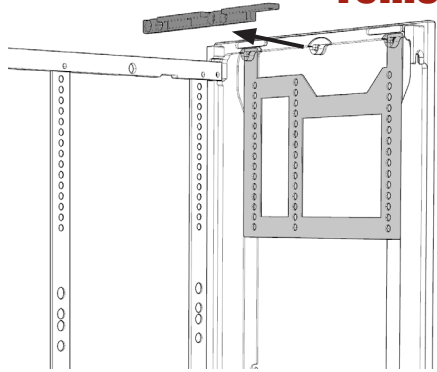
X4

M3-F-5

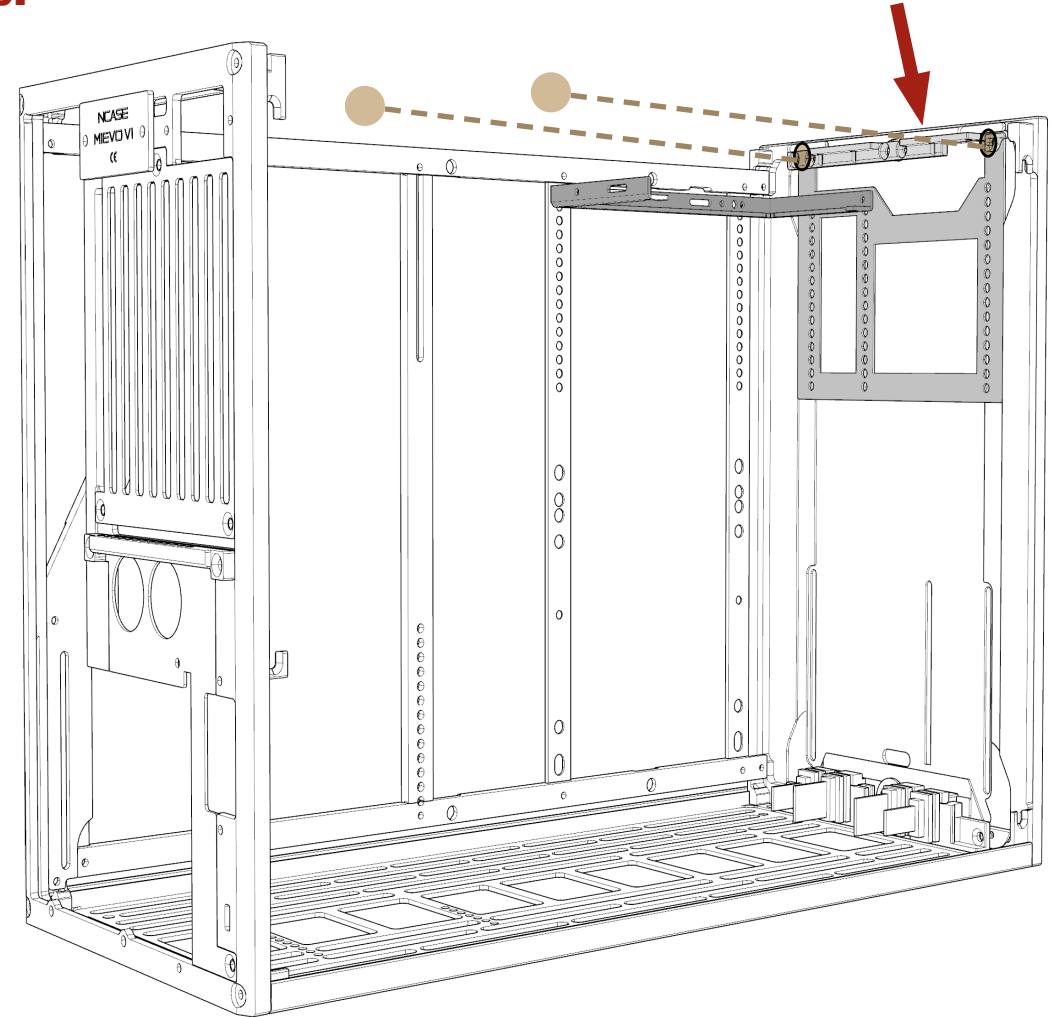
Build Guide

Pre-Configuration Build

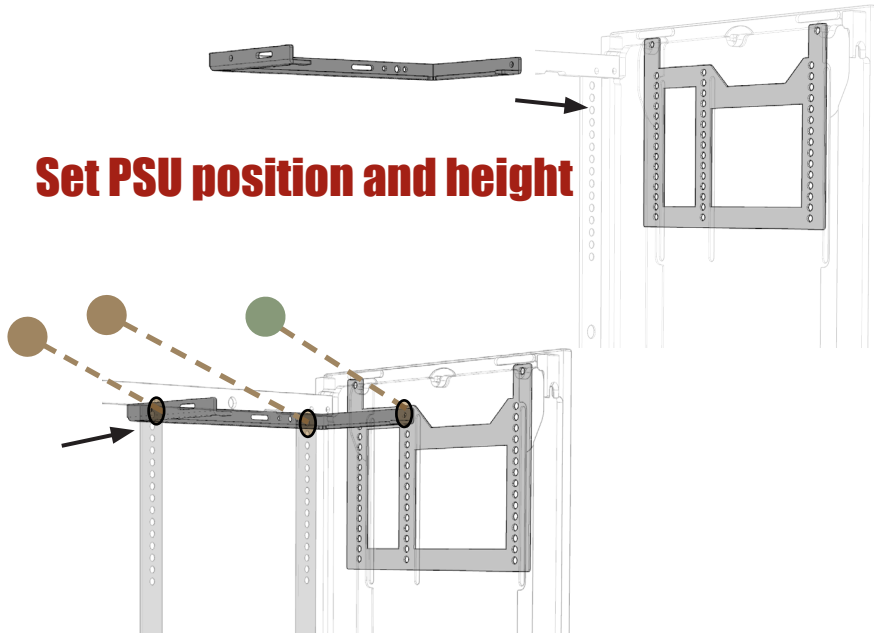
remove the Fan Bracket Brace!



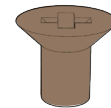
Install the original screws



Set PSU position and height



make sure the PSU bracket is secured onto the Motherboard Tray and then install to the Front Panel



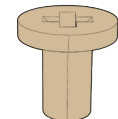
X2

M3-CS-5



X1

M3-CS-8

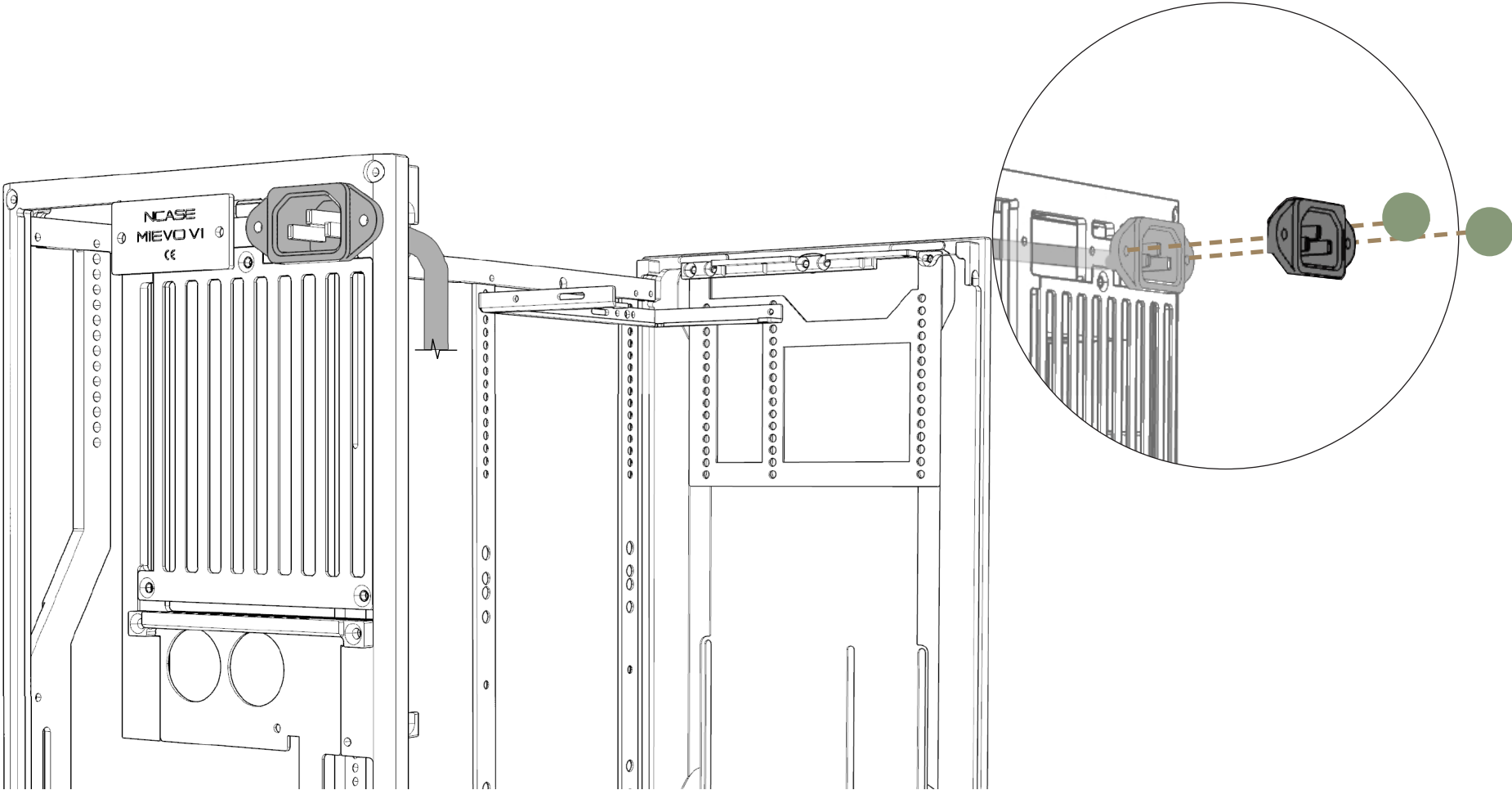


X2

M3-F-5

Build Guide

Pre-Configuration Build

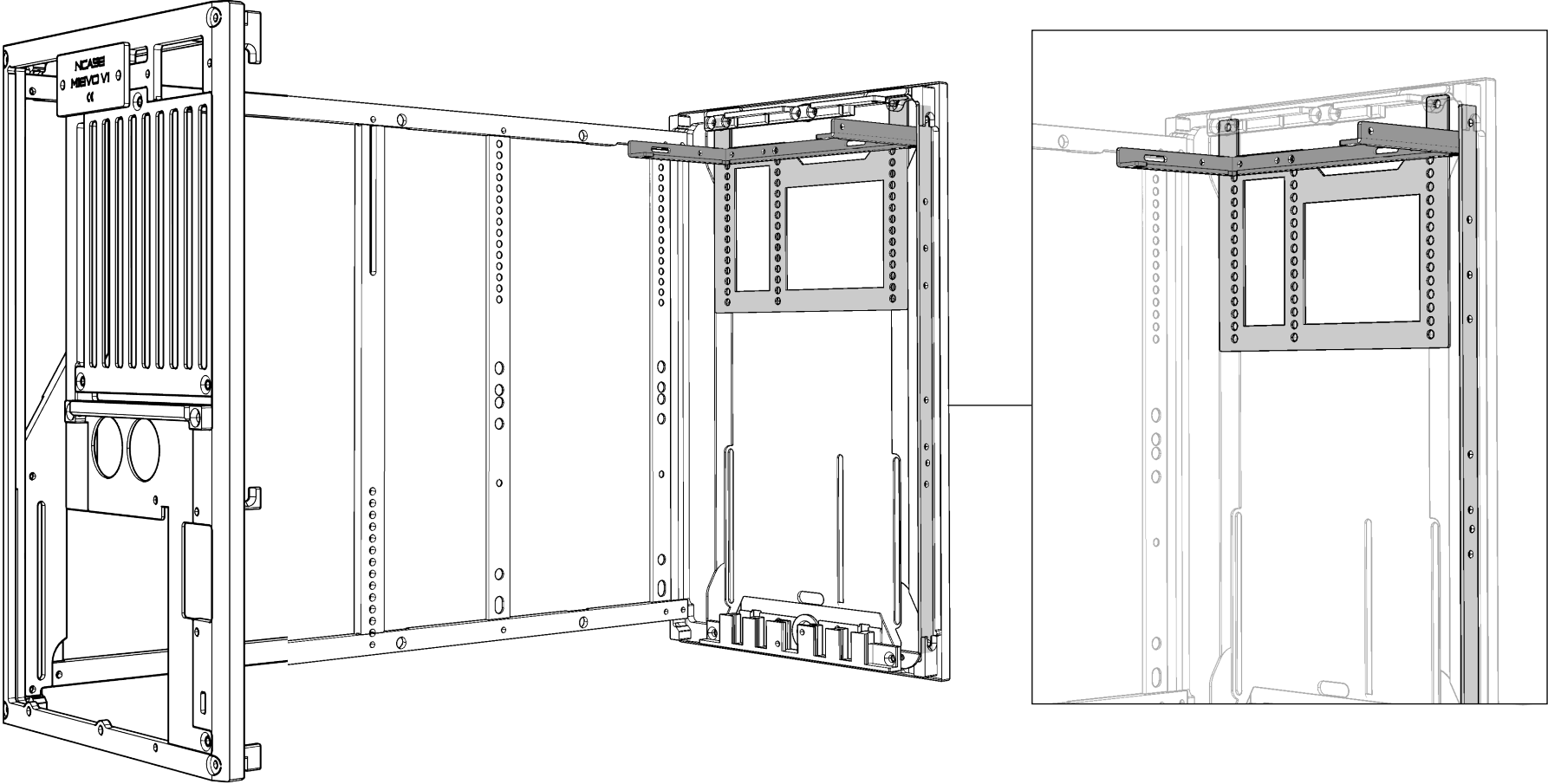


Build Guide - M1 Configuration Build

For other build configuration, skip this section!

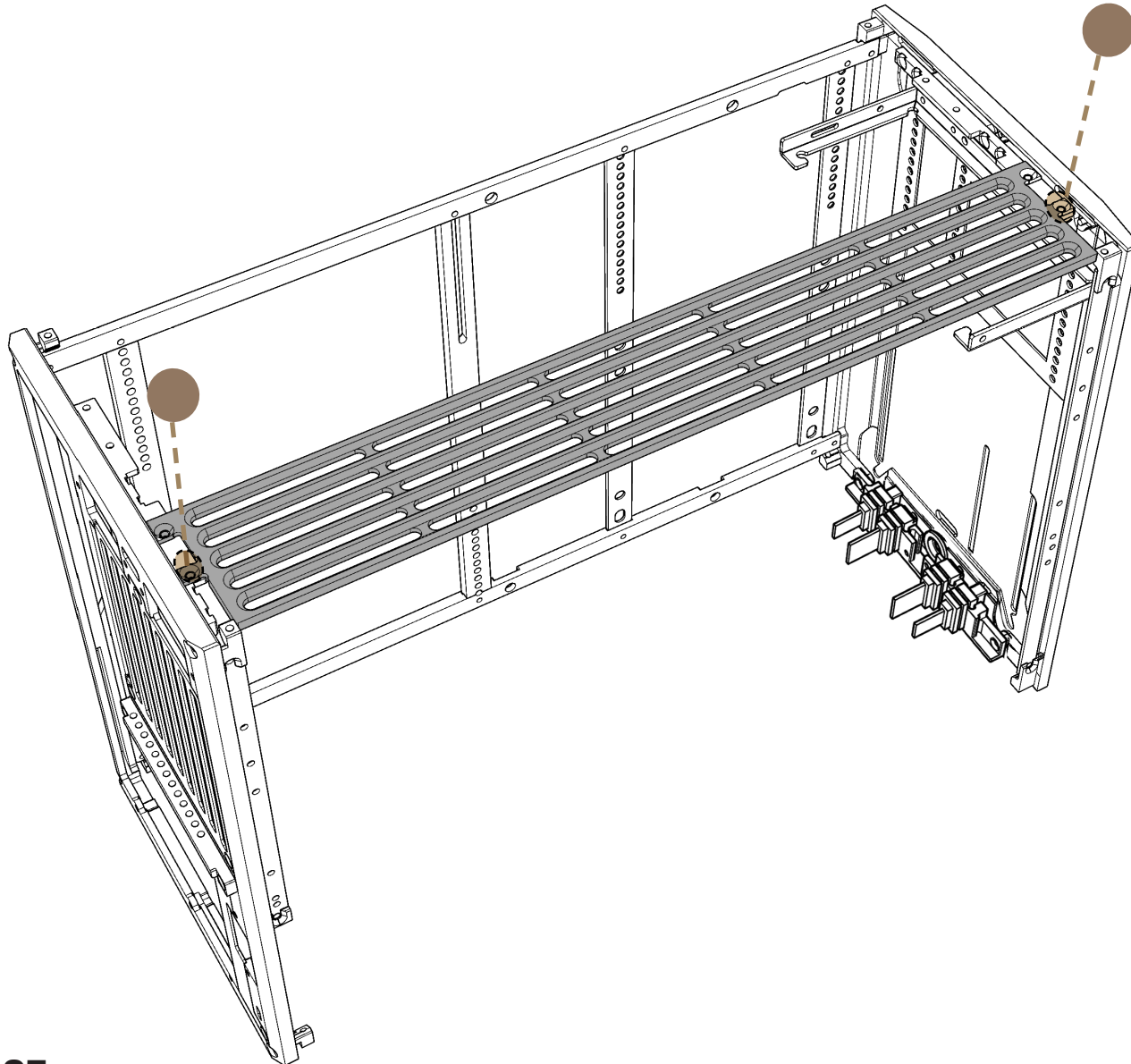
Build Guide

M1 Configuration Build

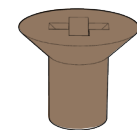


Build Guide

M1 Configuration Build



Draft V 0.95

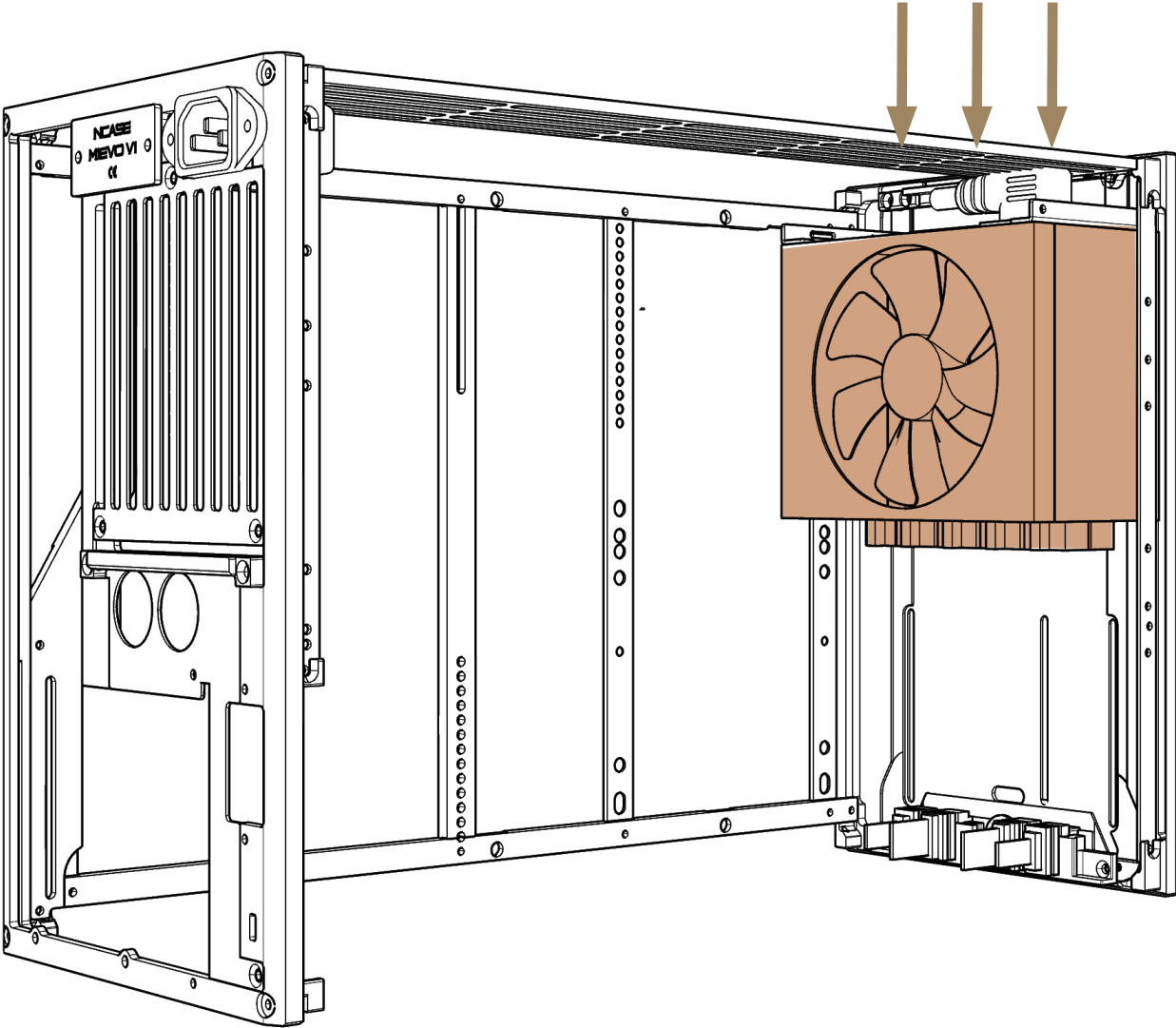


X2

M3-CS-5

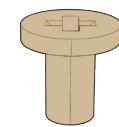
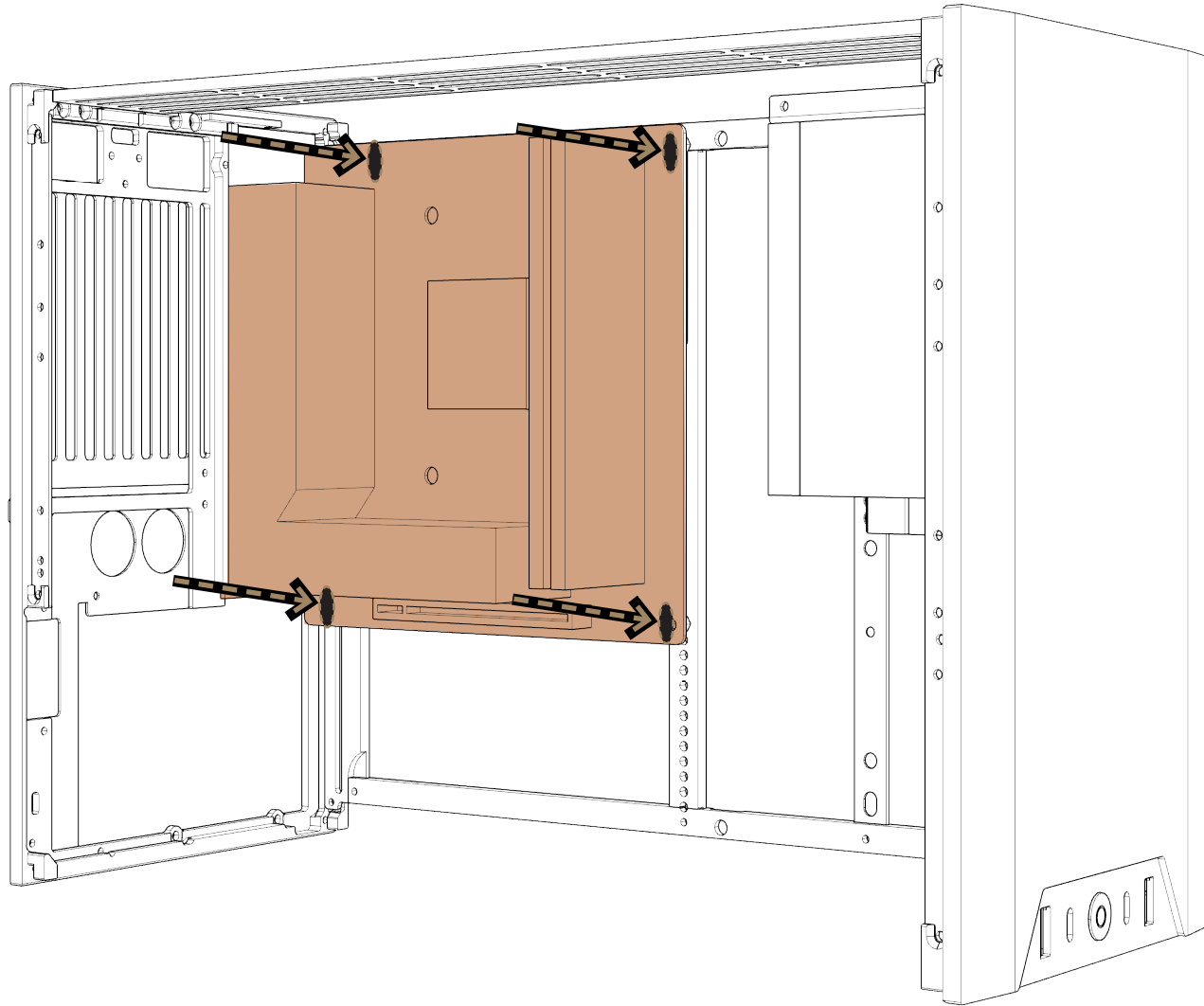
Build Guide

M1 Configuration Build



Build Guide

M1 Configuration Build

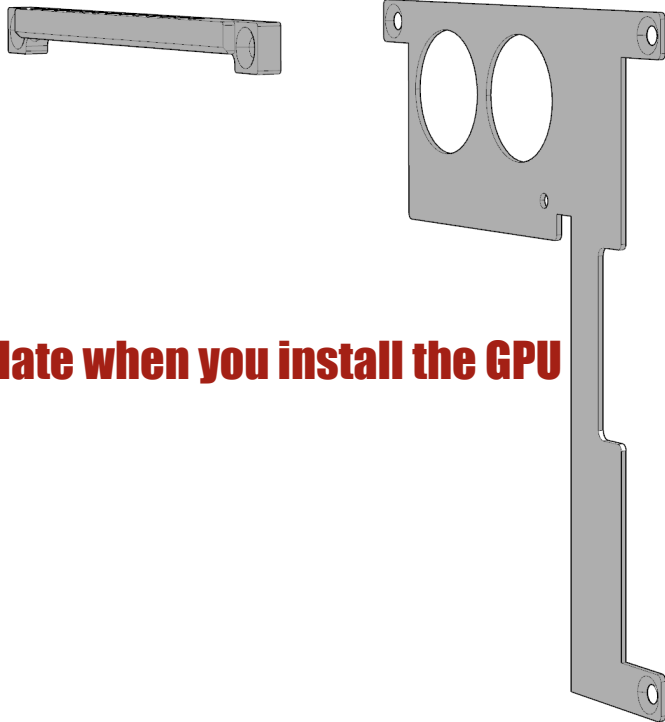


X4

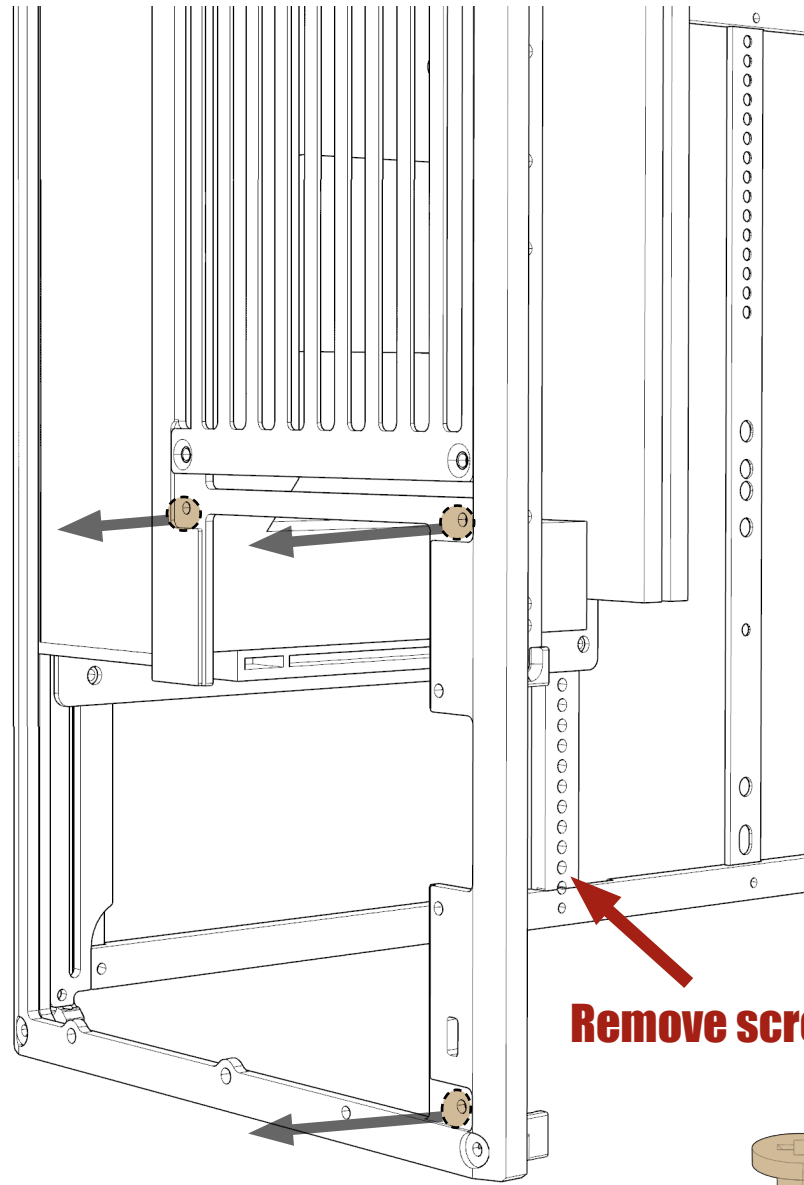
M3-F-5

Build Guide

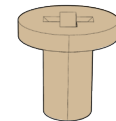
M1 Configuration Build



Remove the plate when you install the GPU



Remove screws

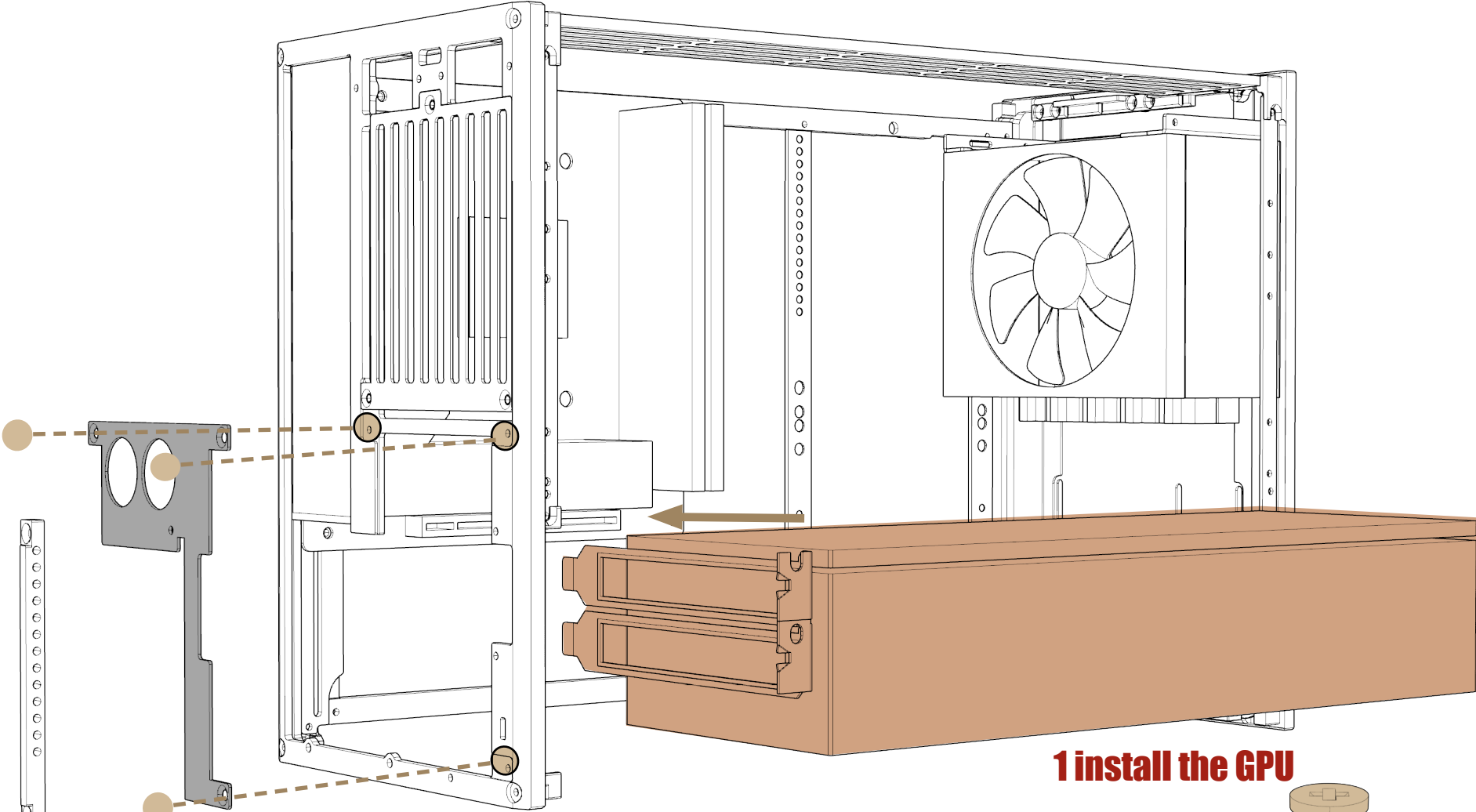


-3

M3-F-5

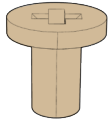
Build Guide

M1 Configuration Build



2 install the plate

1 install the GPU

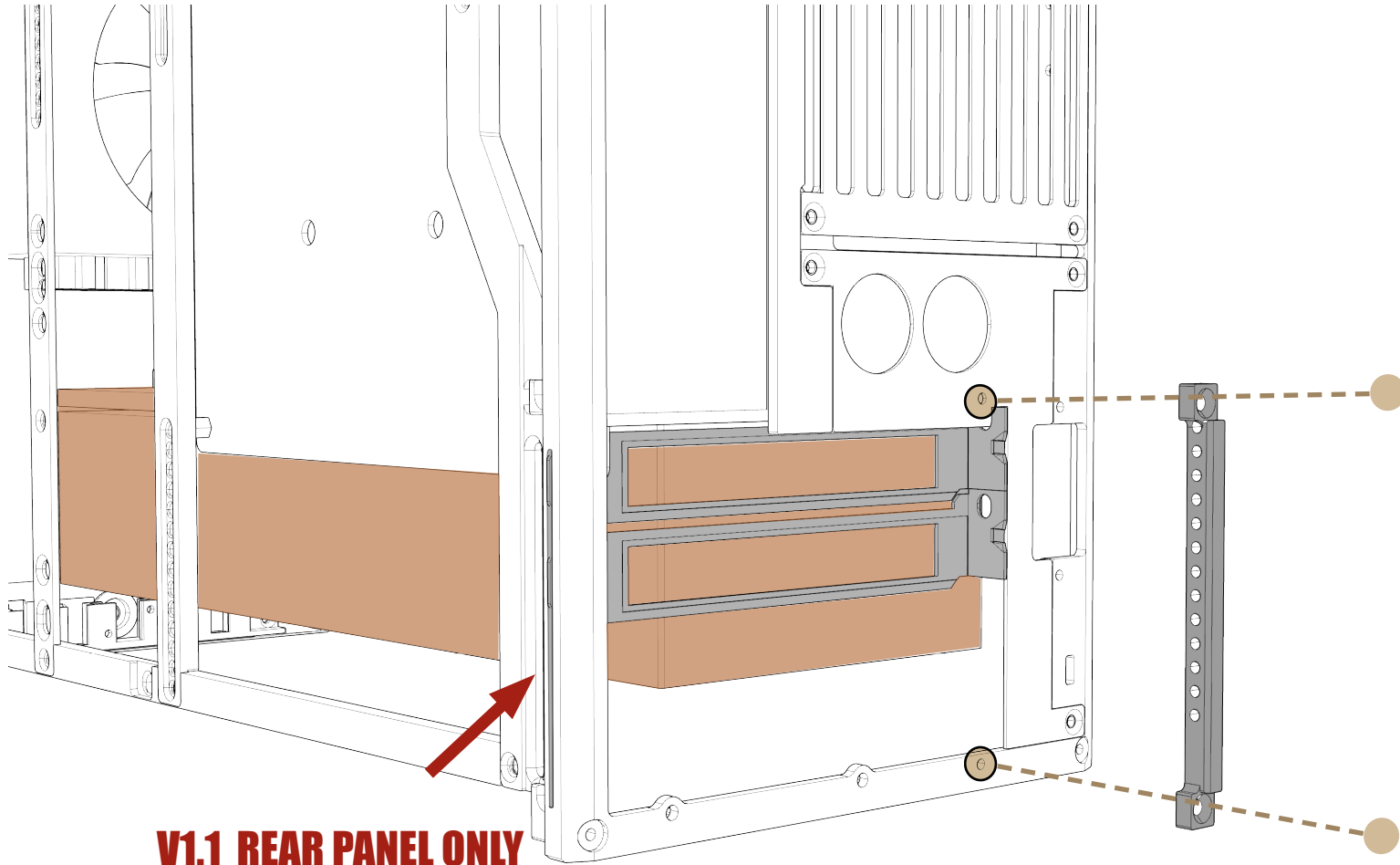


X3

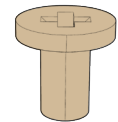
M3-F-5

Build Guide

M1 Configuration Build

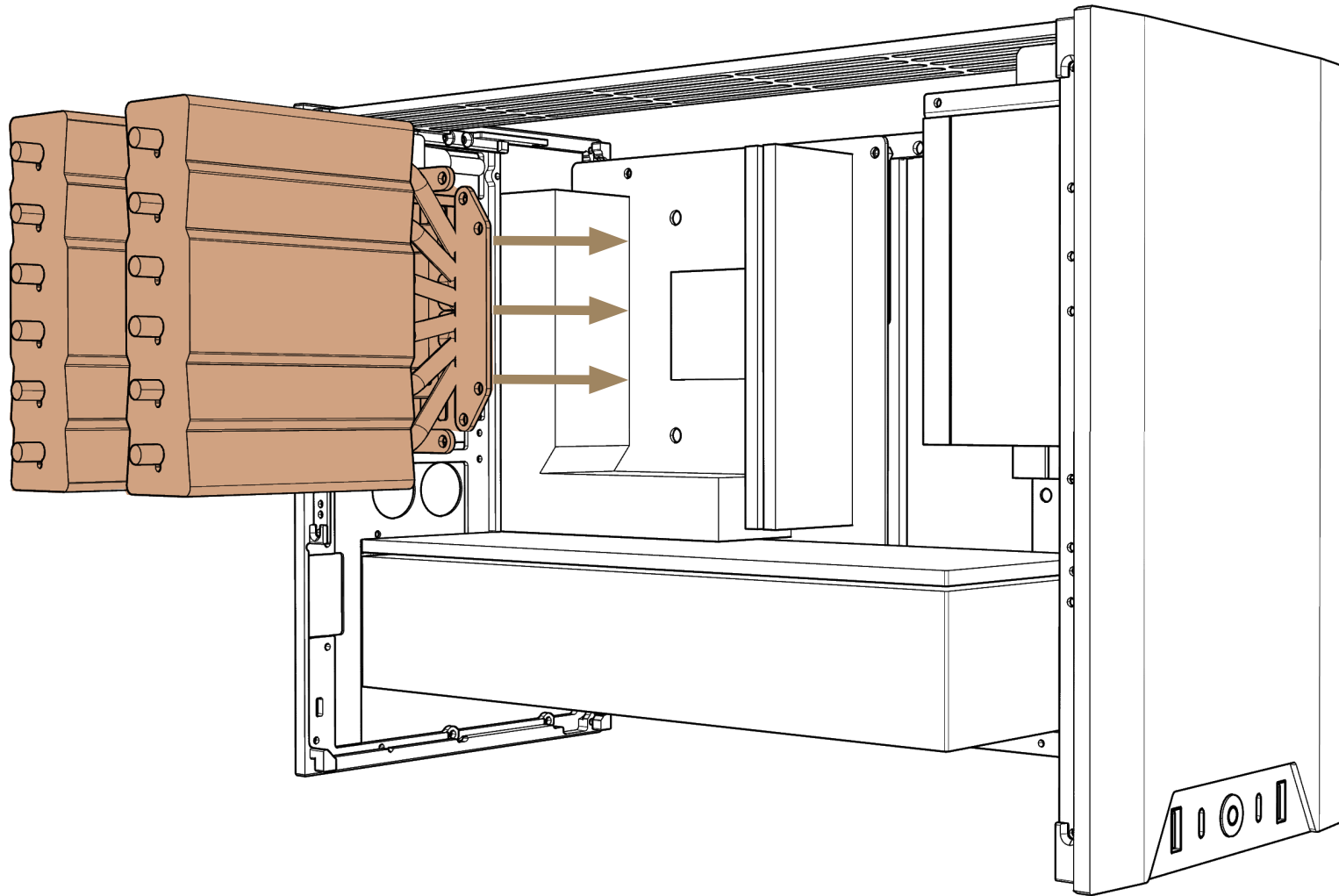


V1.1 REAR PANEL ONLY
Insert the GPU Bracket *fingers
through the slot



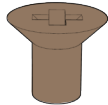
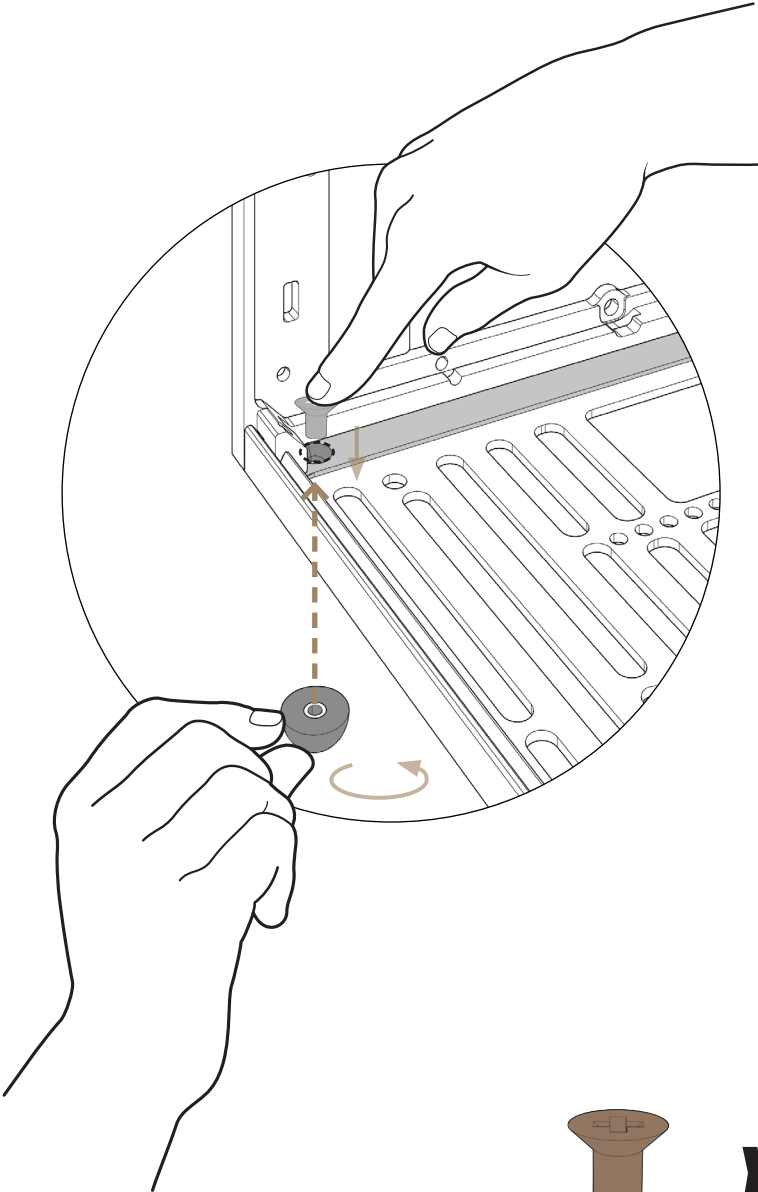
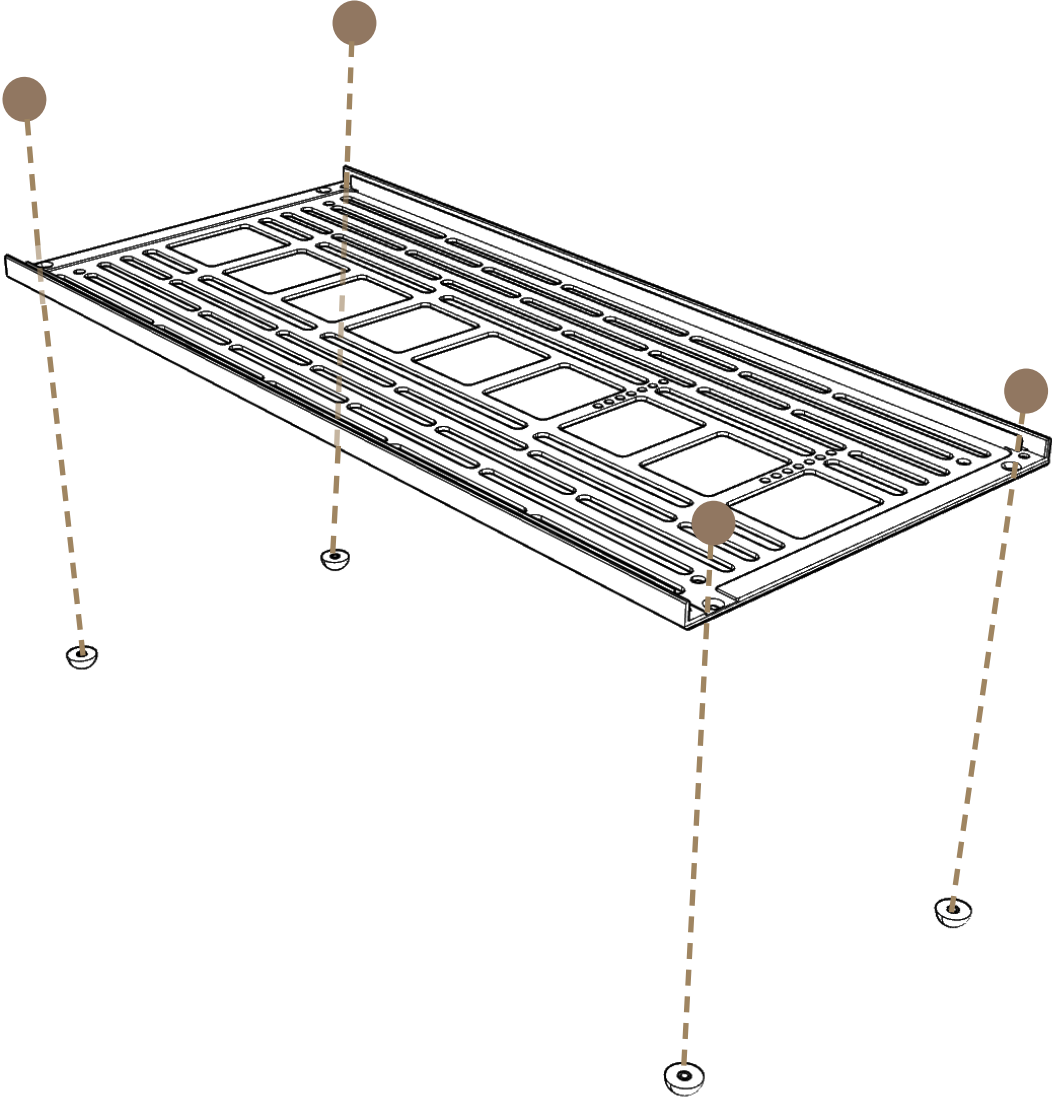
Build Guide

M1 Configuration Build



Build Guide

M1 Configuration Build

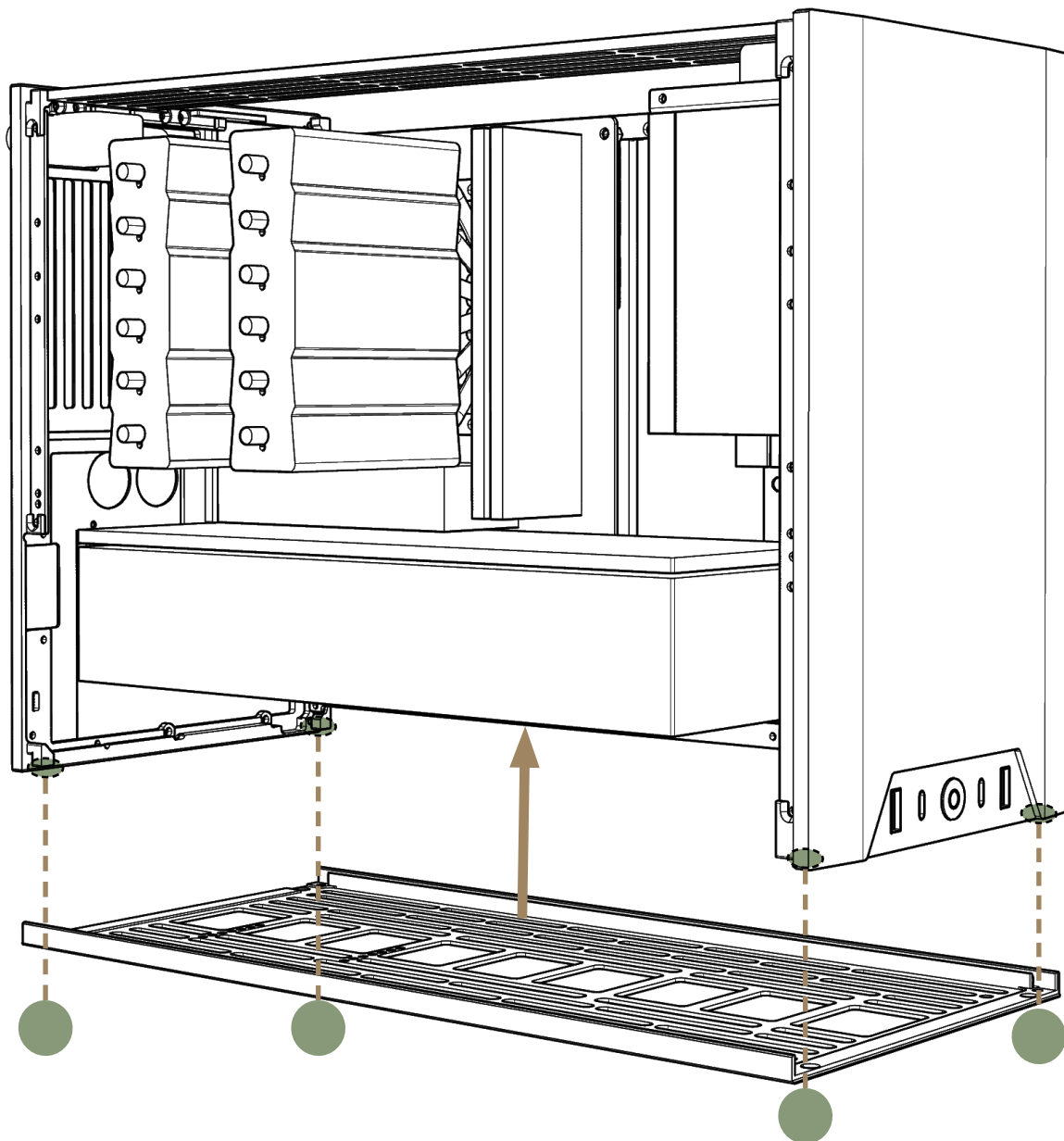


X4

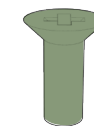
M3-CS-5

Build Guide

M1 Configuration Build



Draft V 0.95



X4

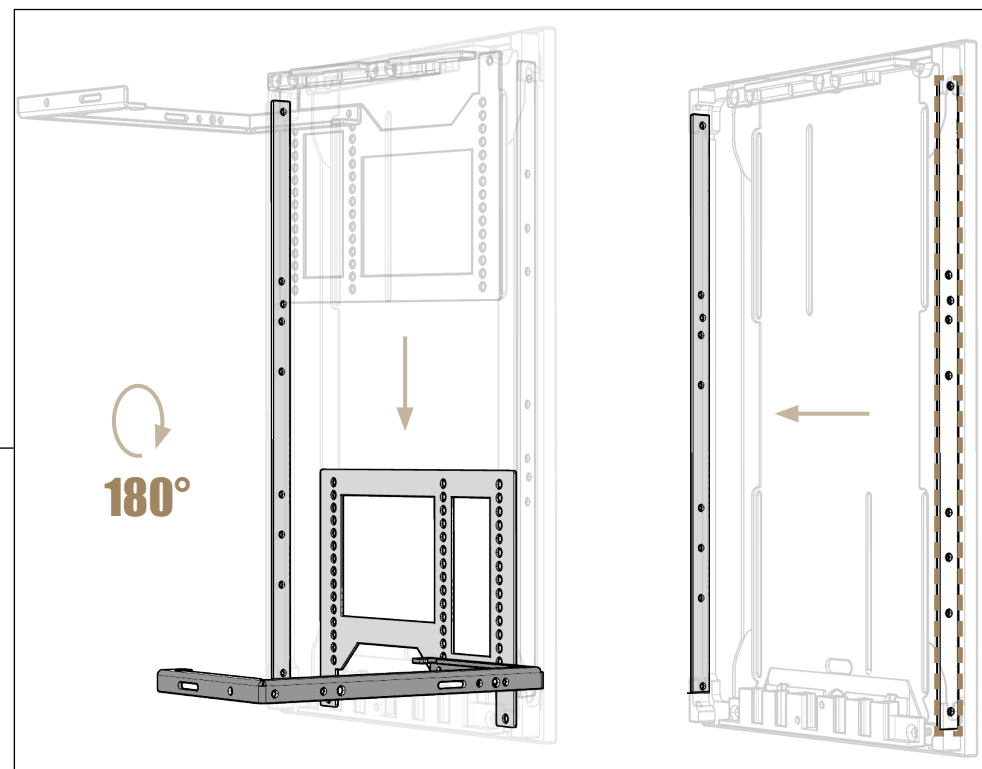
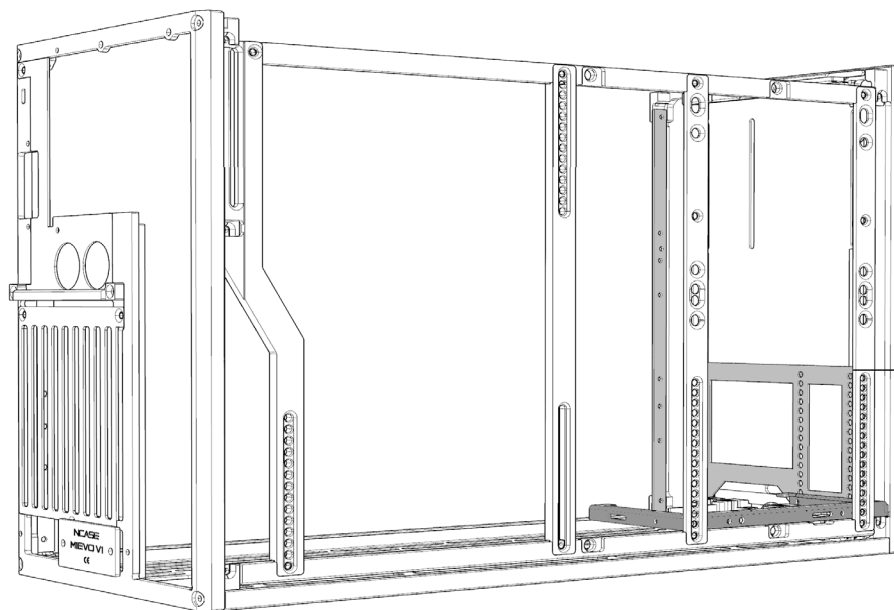
M3-CS-8

M1 Flipped Configuration Build

For other build configuration, skip this section!

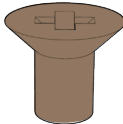
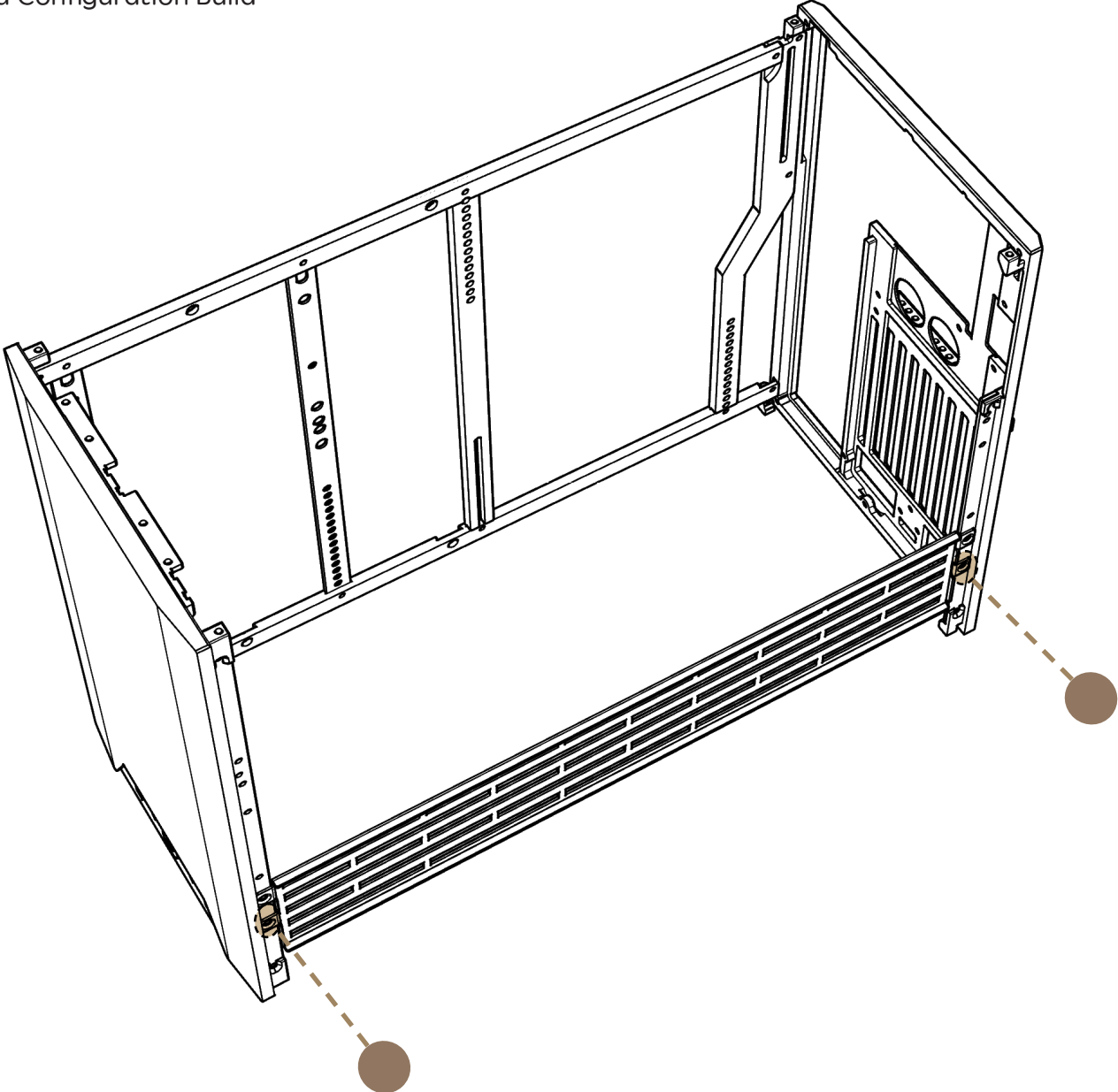
Build Guide

M1 Flipped Configuration Build



Build Guide

M1 Flipped Configuration Build

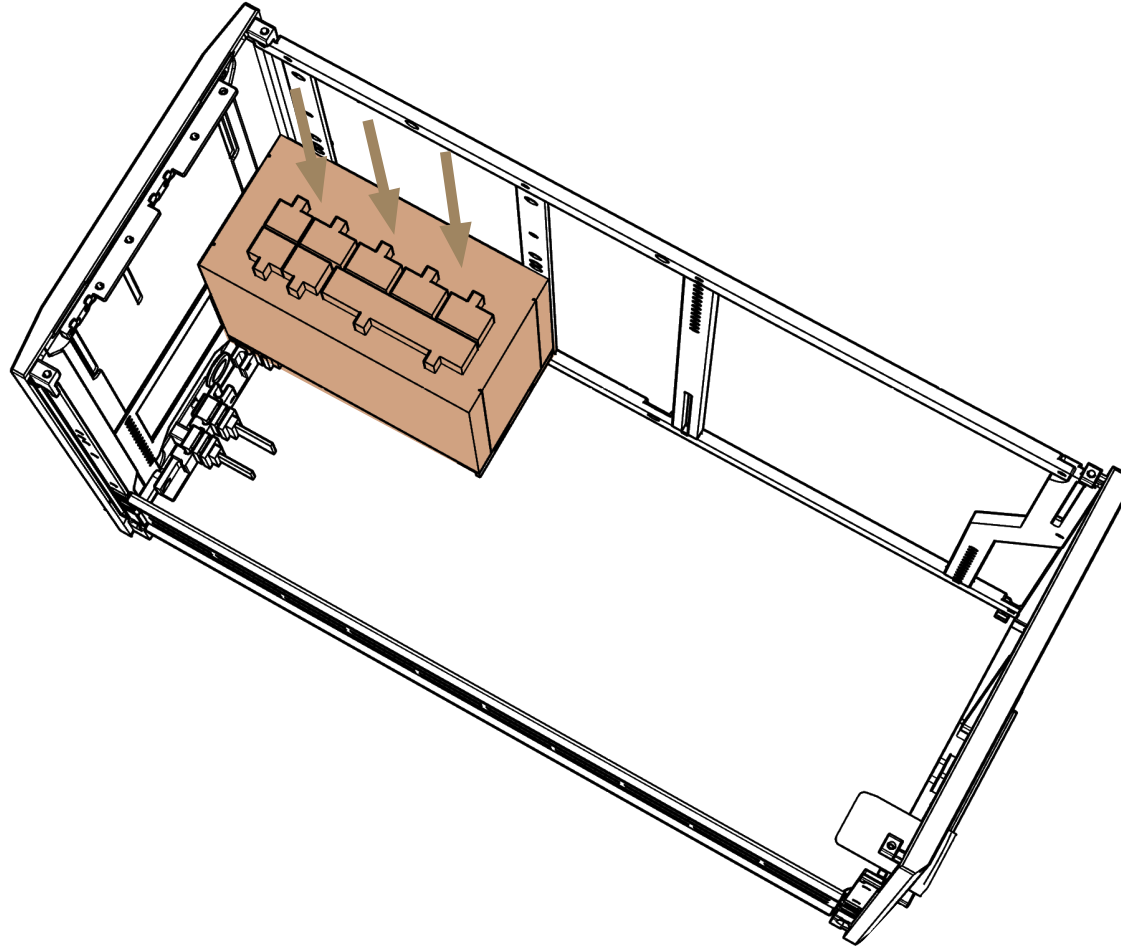


X2

M3-CS-5

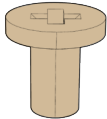
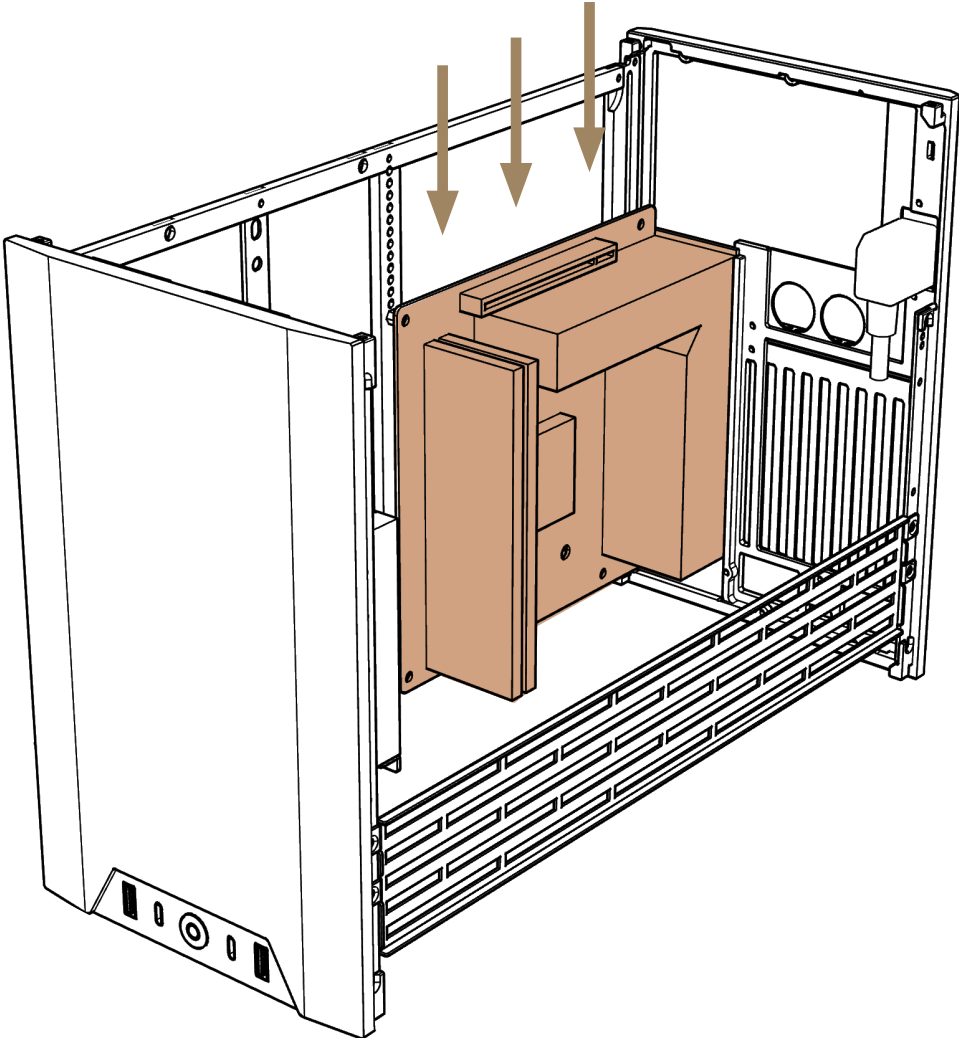
Build Guide

M1 Flipped Configuration Build



Build Guide

M1 Flipped Configuration Build

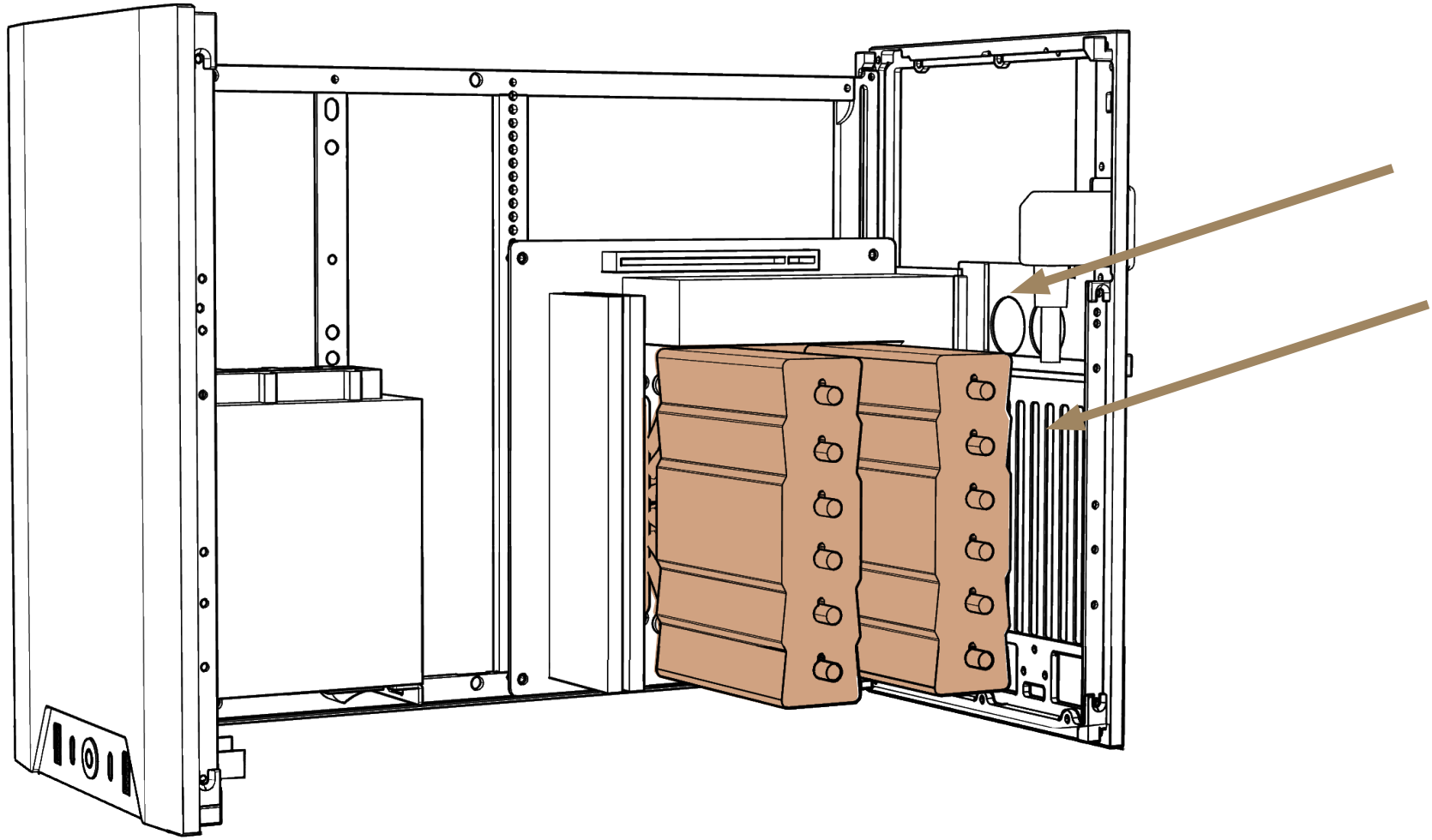


X4

M3-F-5

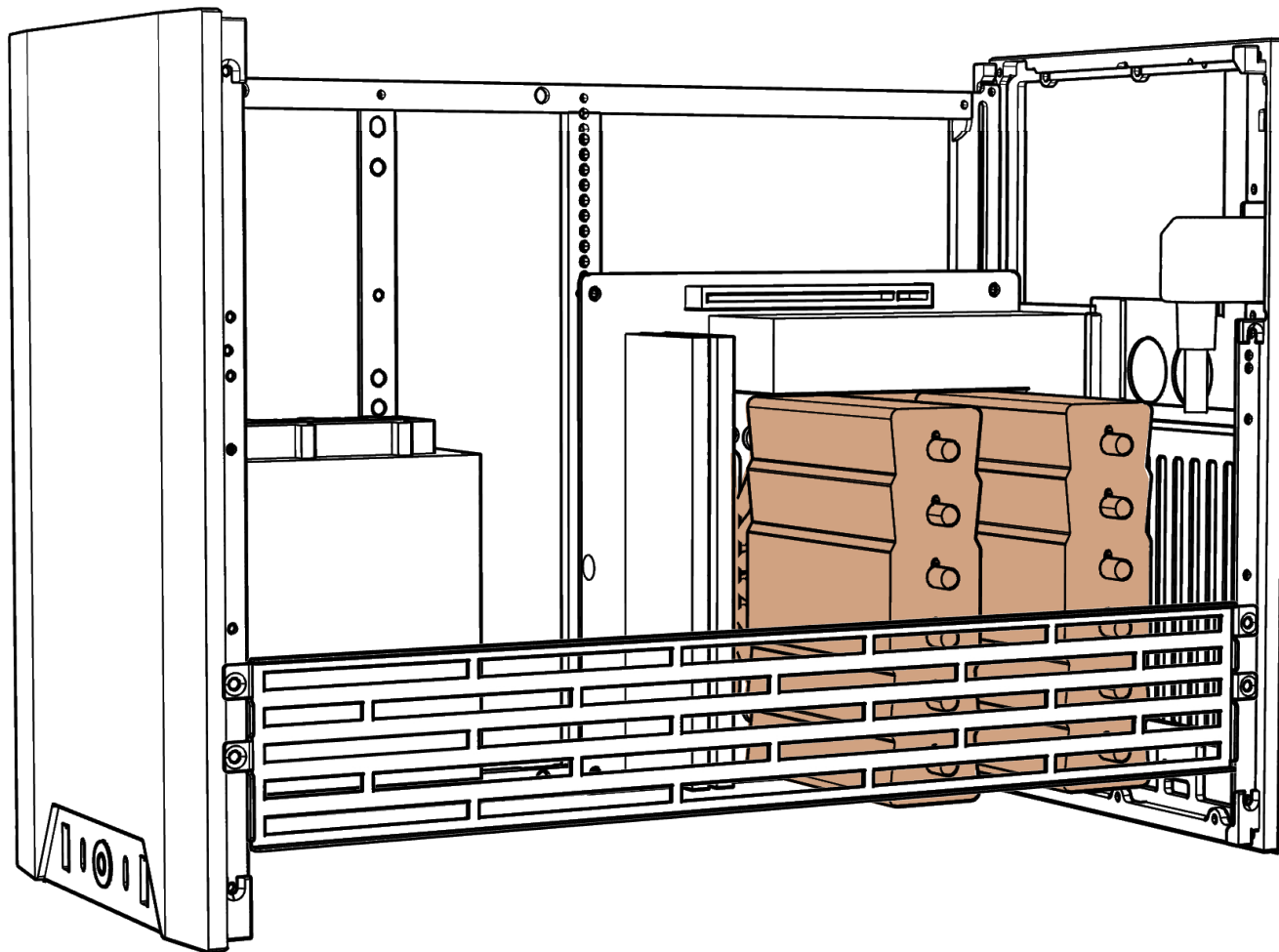
Build Guide

M1 Flipped Configuration Build



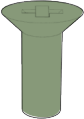
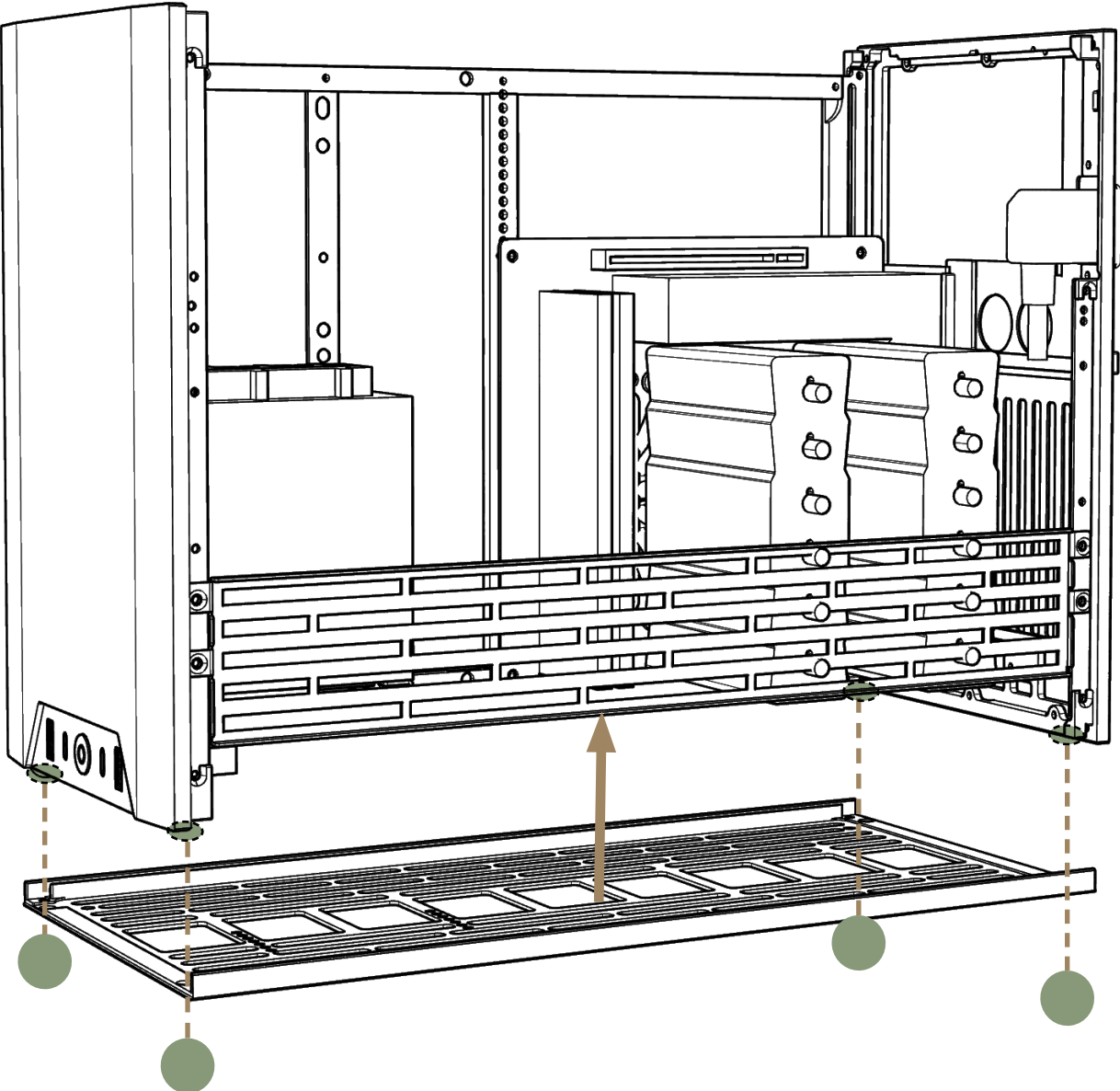
Build Guide

M1 Flipped Configuration Build



Build Guide

M1 Flipped Configuration Build

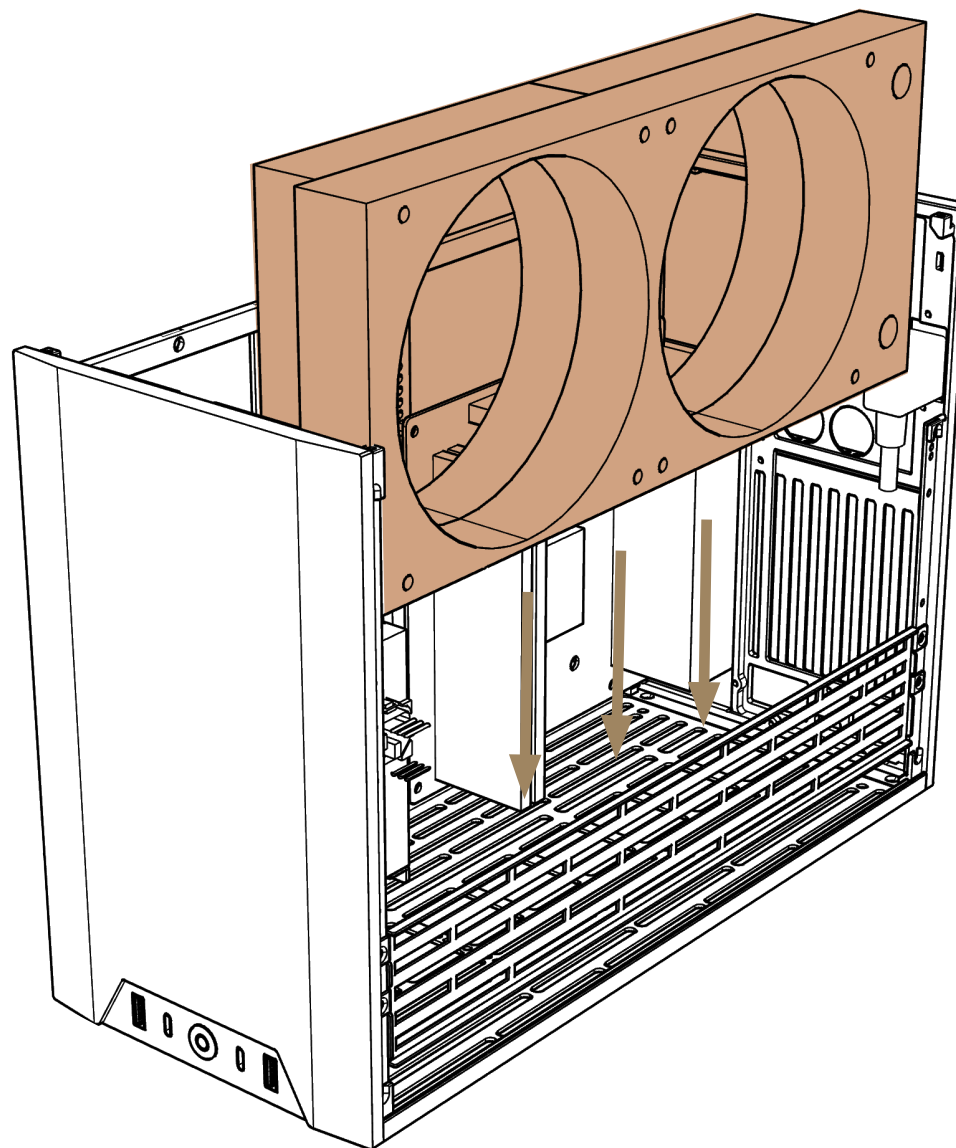


X4

M3-CS-8

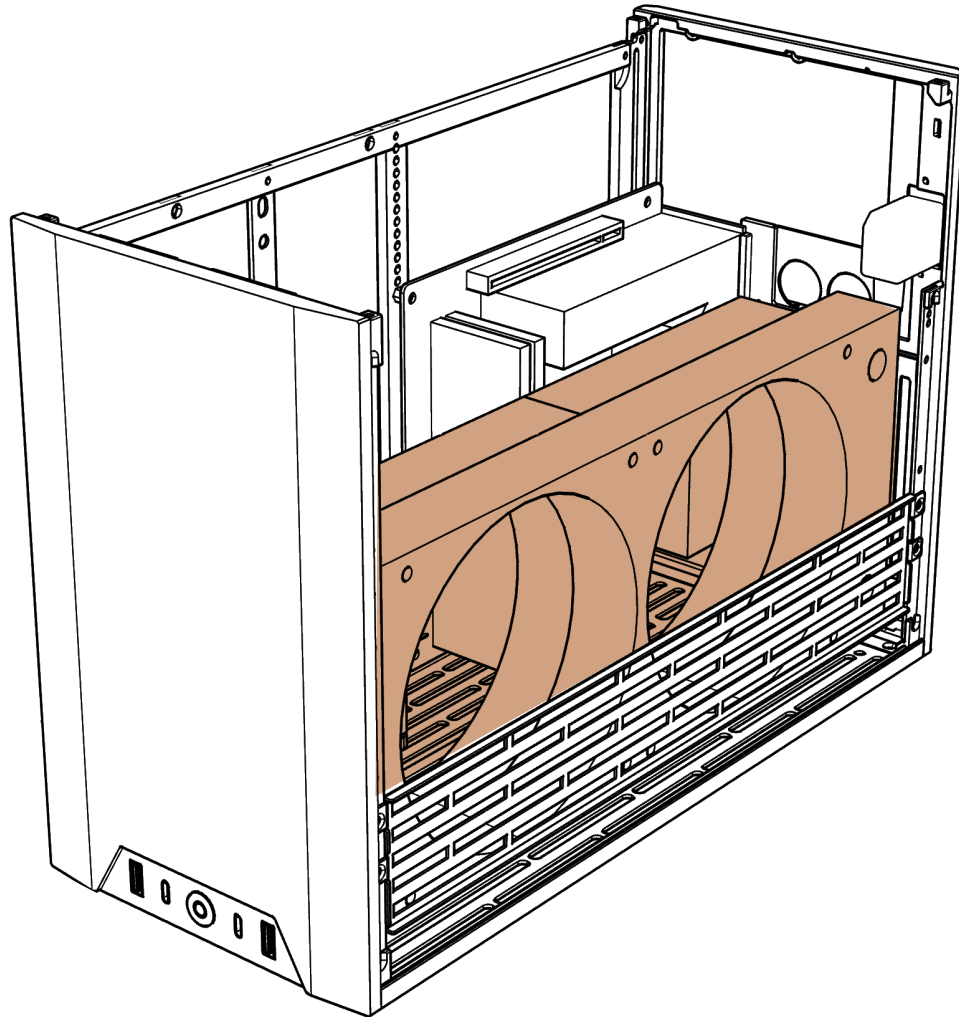
Build Guide

M1 Flipped Configuration Build



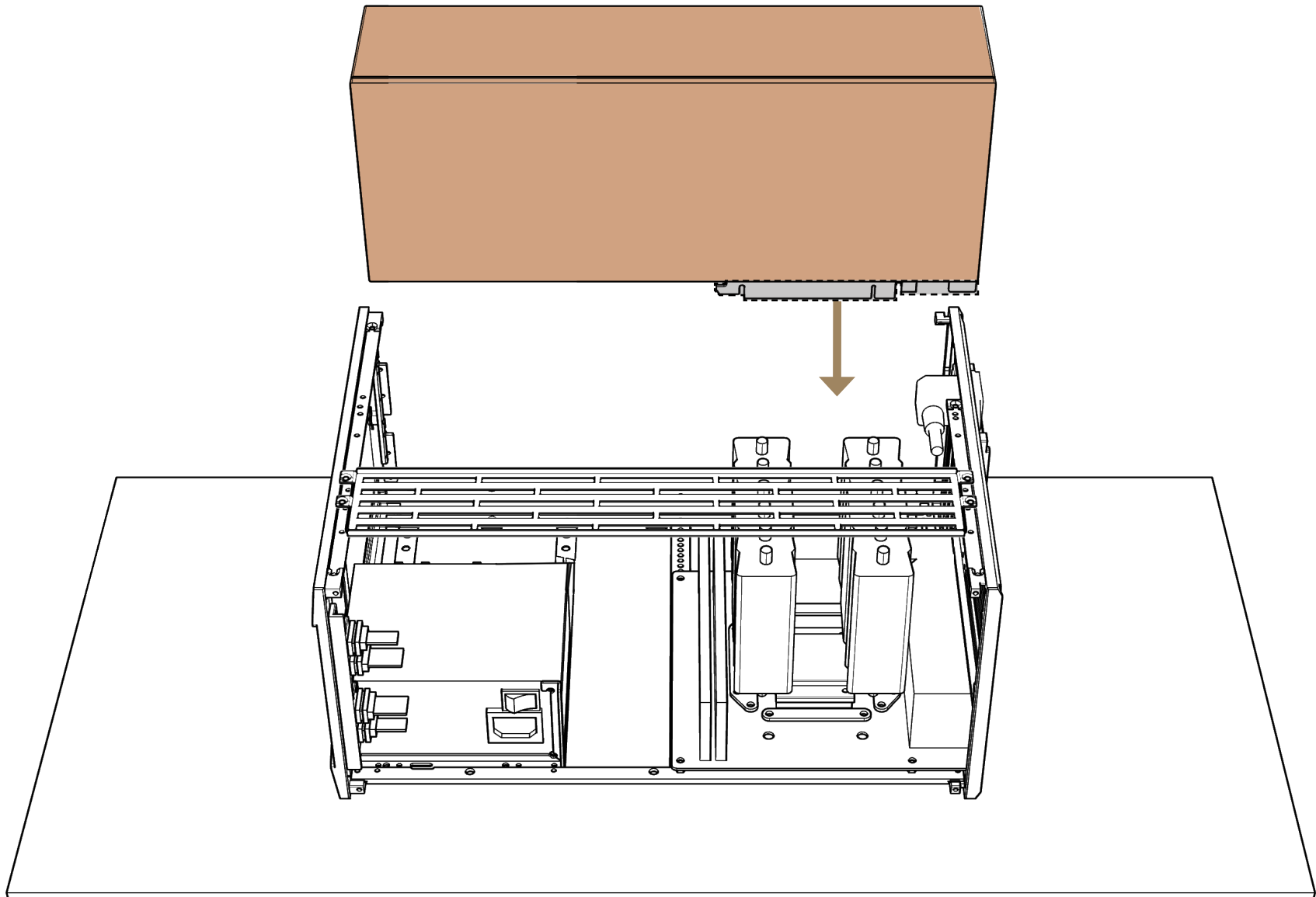
Build Guide

M1 Flipped Configuration Build



Build Guide

M1 Flipped Configuration Build

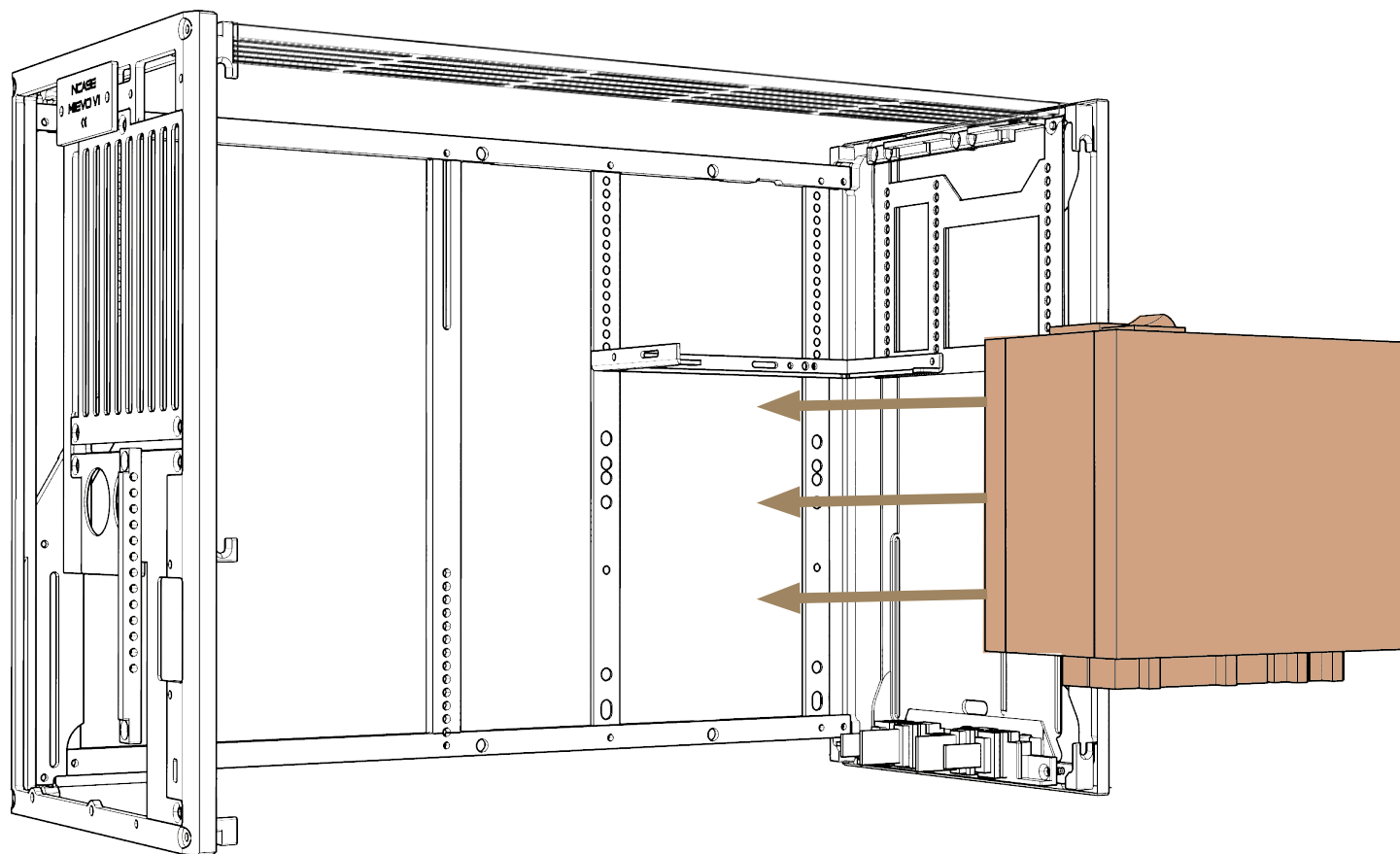


M1 Vertical GPU Configuration Build

For other build configuration, skip this section!

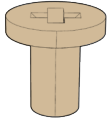
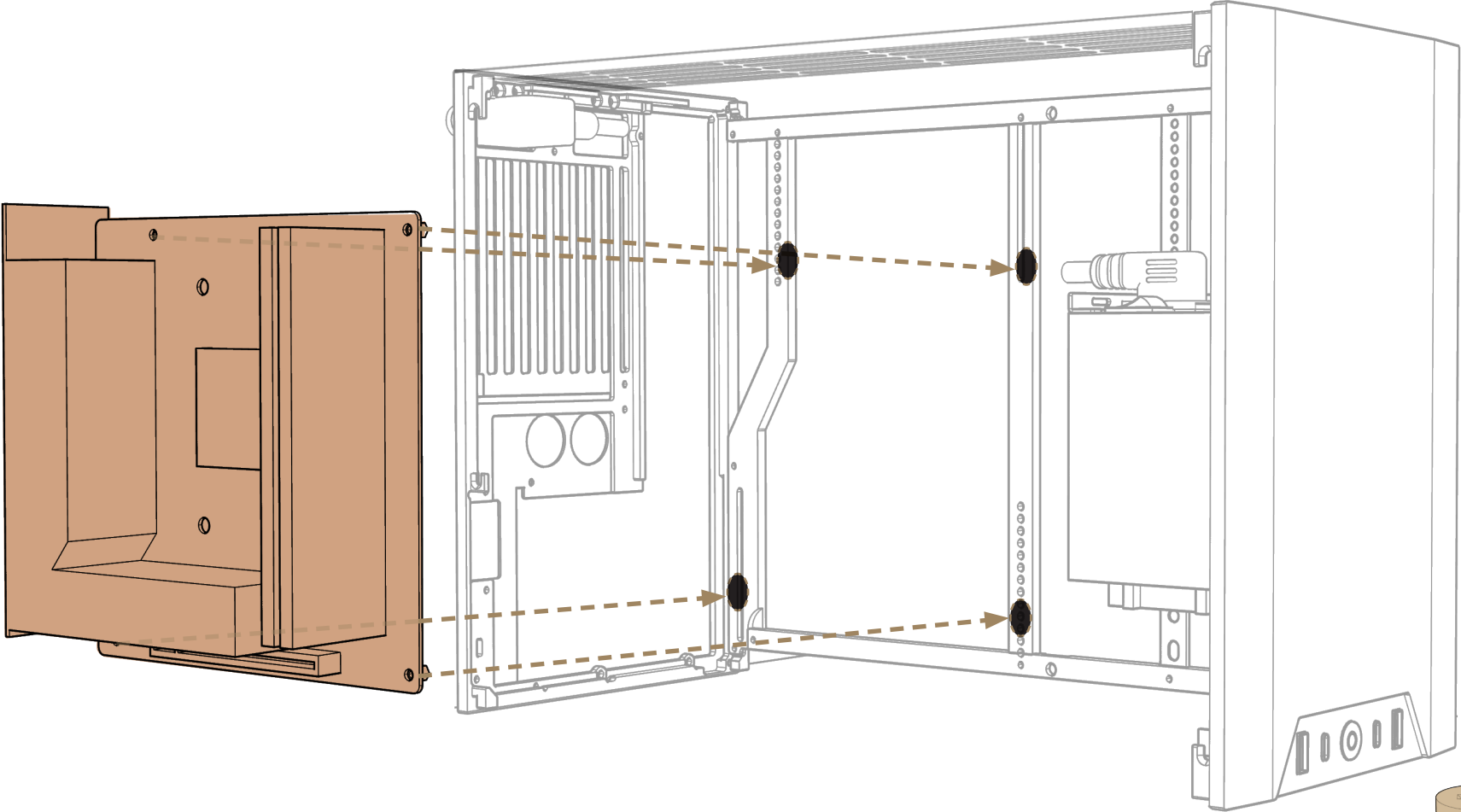
Build Guide

M1 Vertical GPU Configuration Build



Build Guide

M1 Vertical GPU Configuration Build

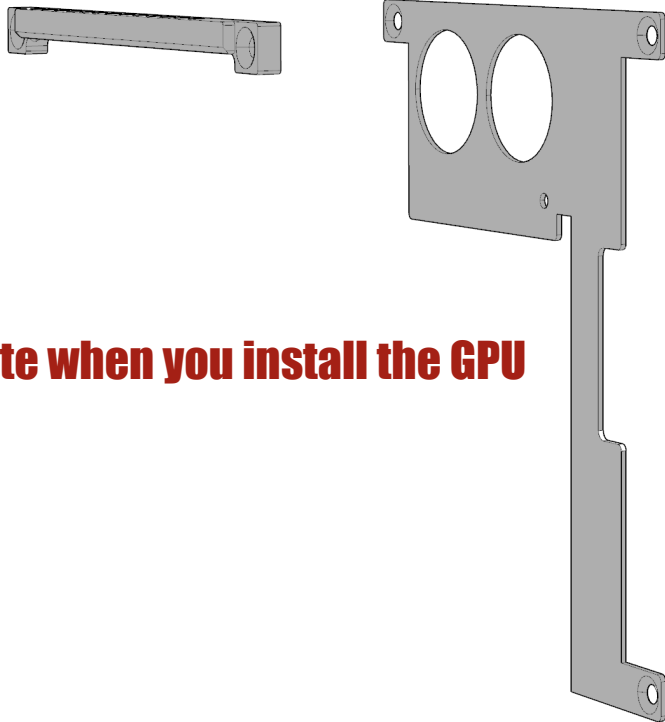


X4

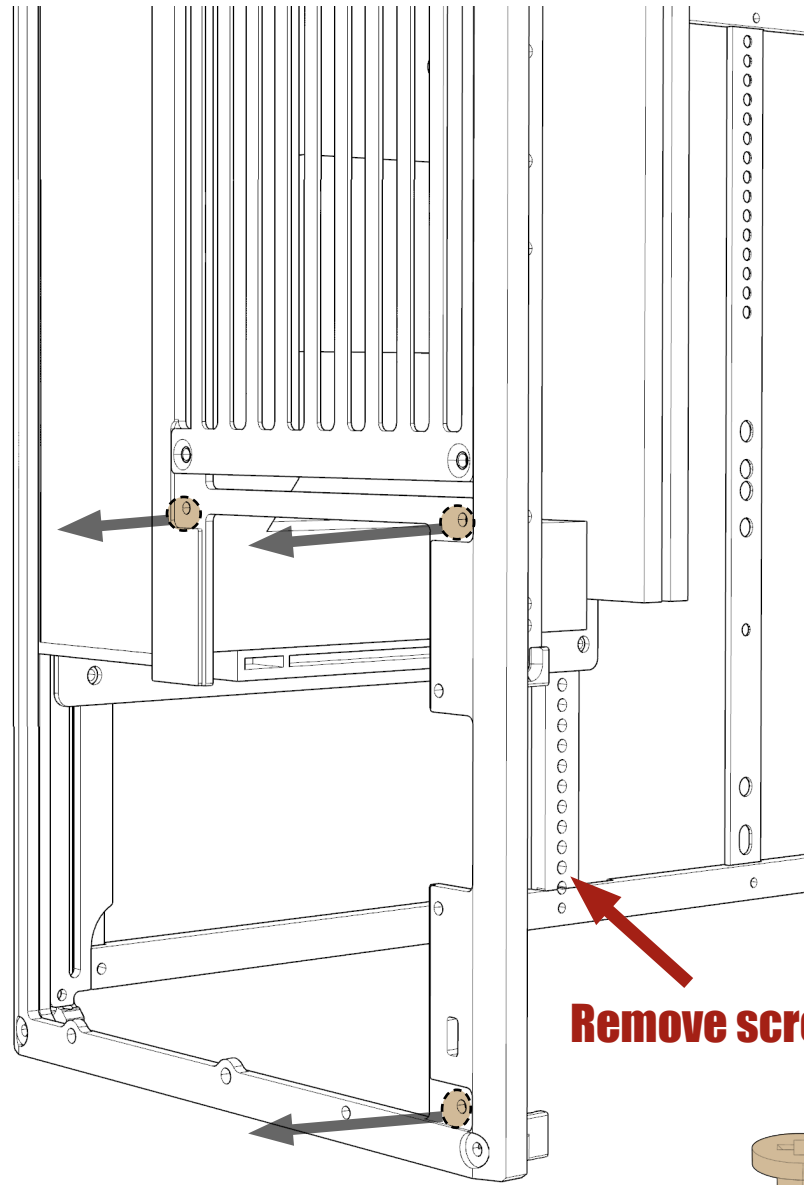
M3-F-5

Build Guide

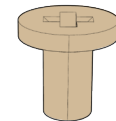
M1 Configuration Build



Remove the plate when you install the GPU



Remove screws

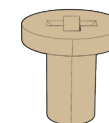
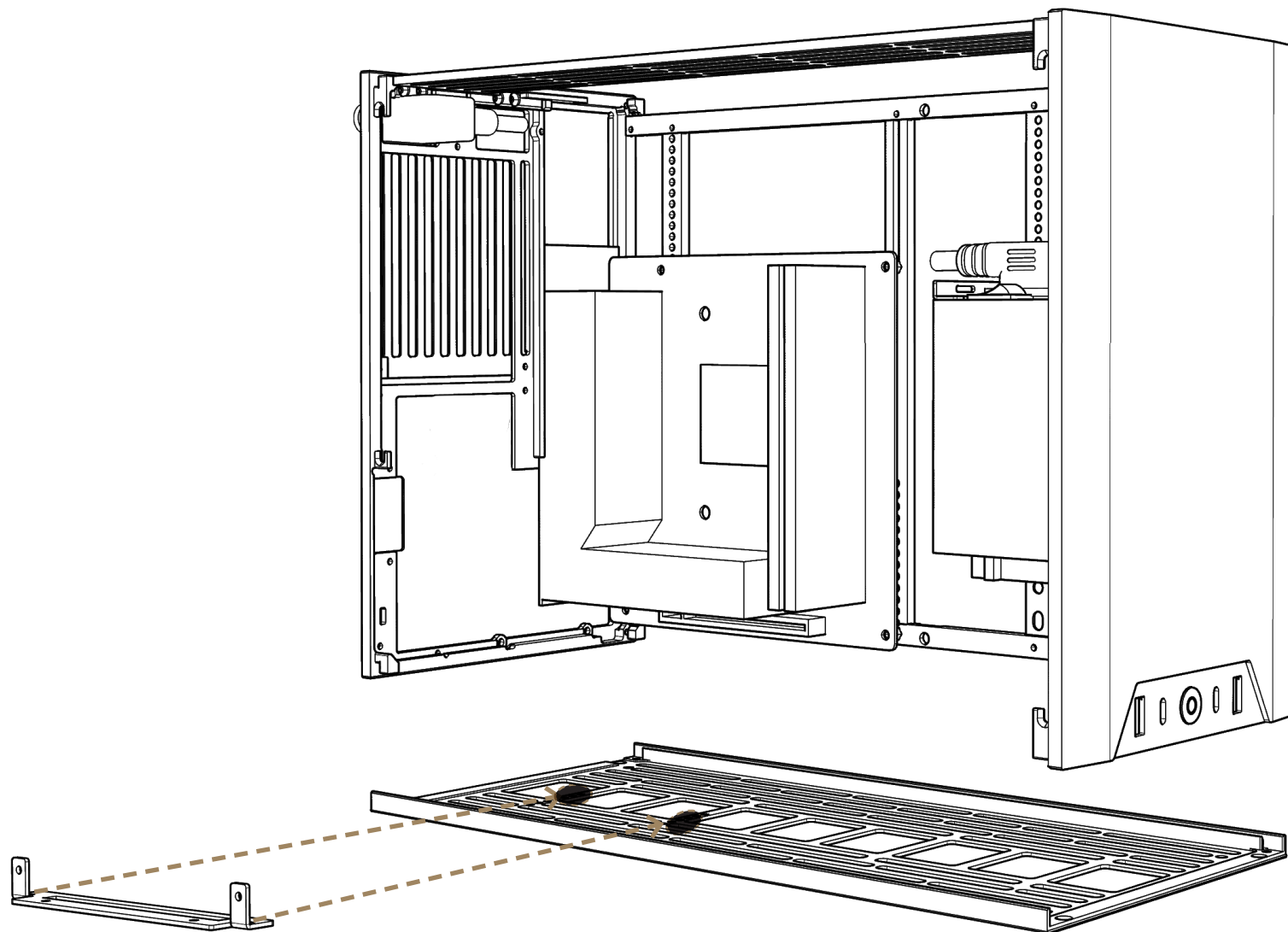


-3

M3-F-5

Build Guide

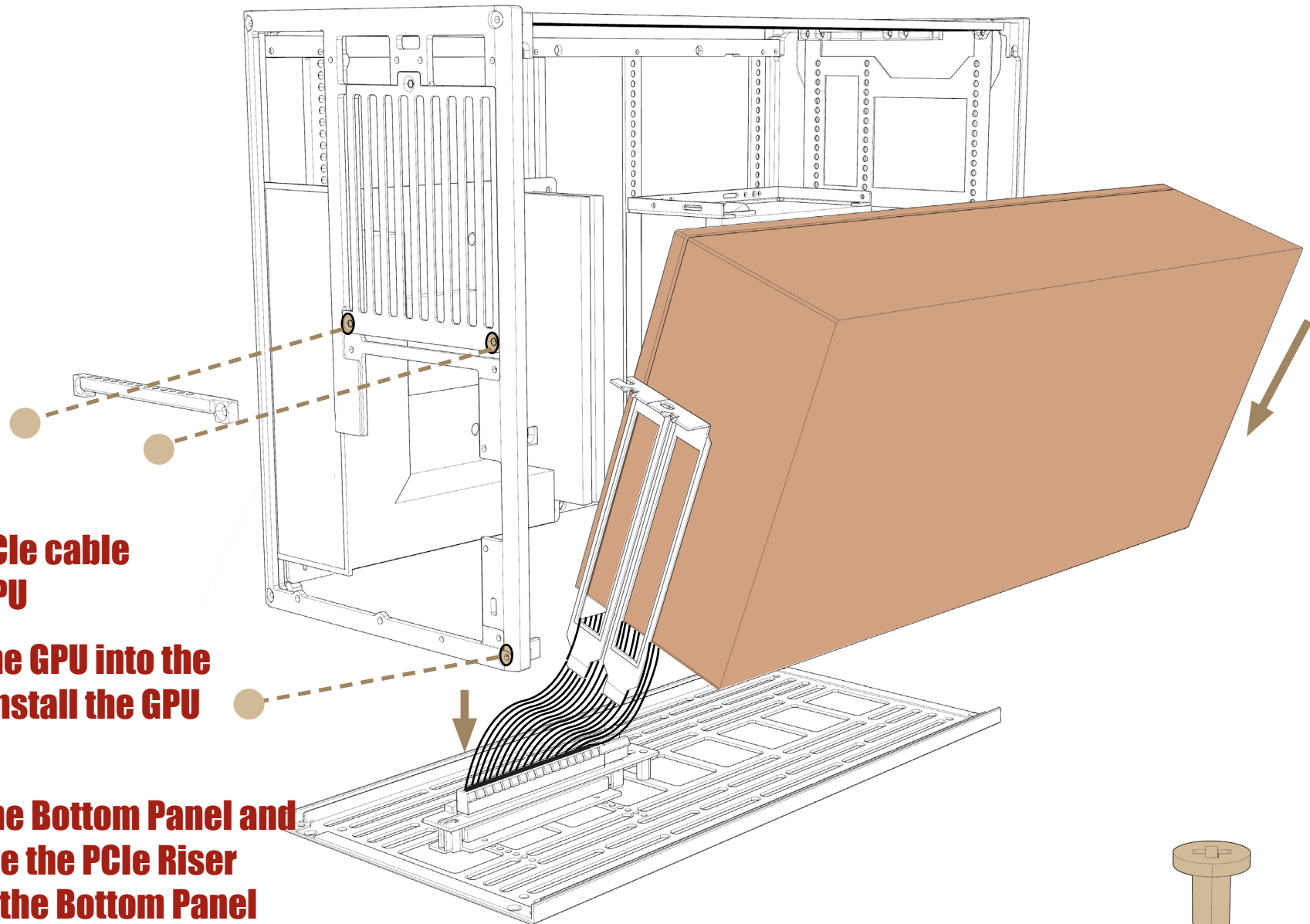
M1 Vertical GPU Configuration Build



X2

Build Guide

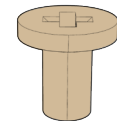
M1 Configuration Build



1. Install PCIe cable onto the GPU

2. Install the GPU into the case and install the GPU Lock Bar

3. Install the Bottom Panel and then secure the PCIe Riser Bracket to the Bottom Panel

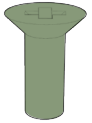
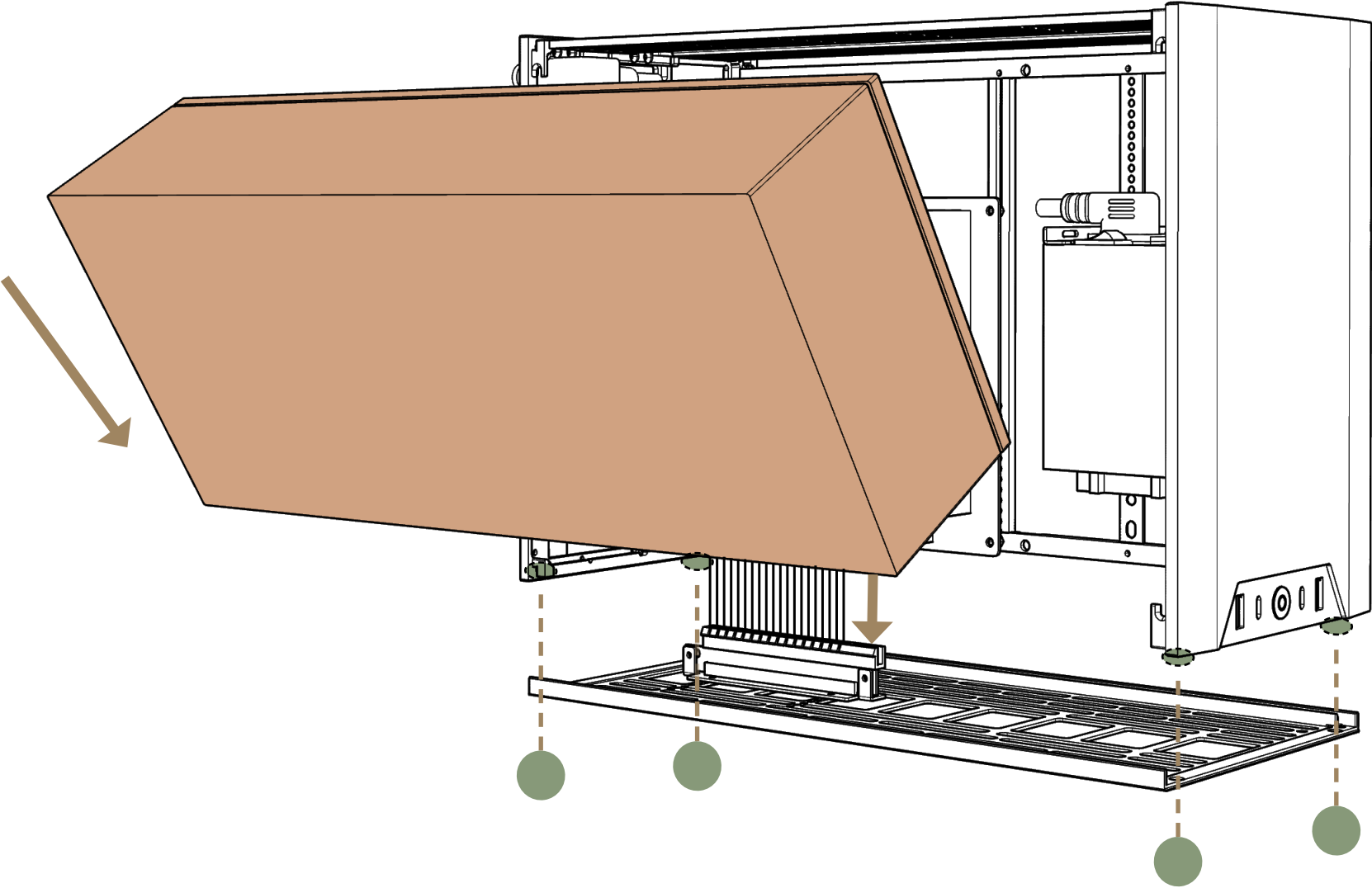


X3

M3-F-5

Build Guide

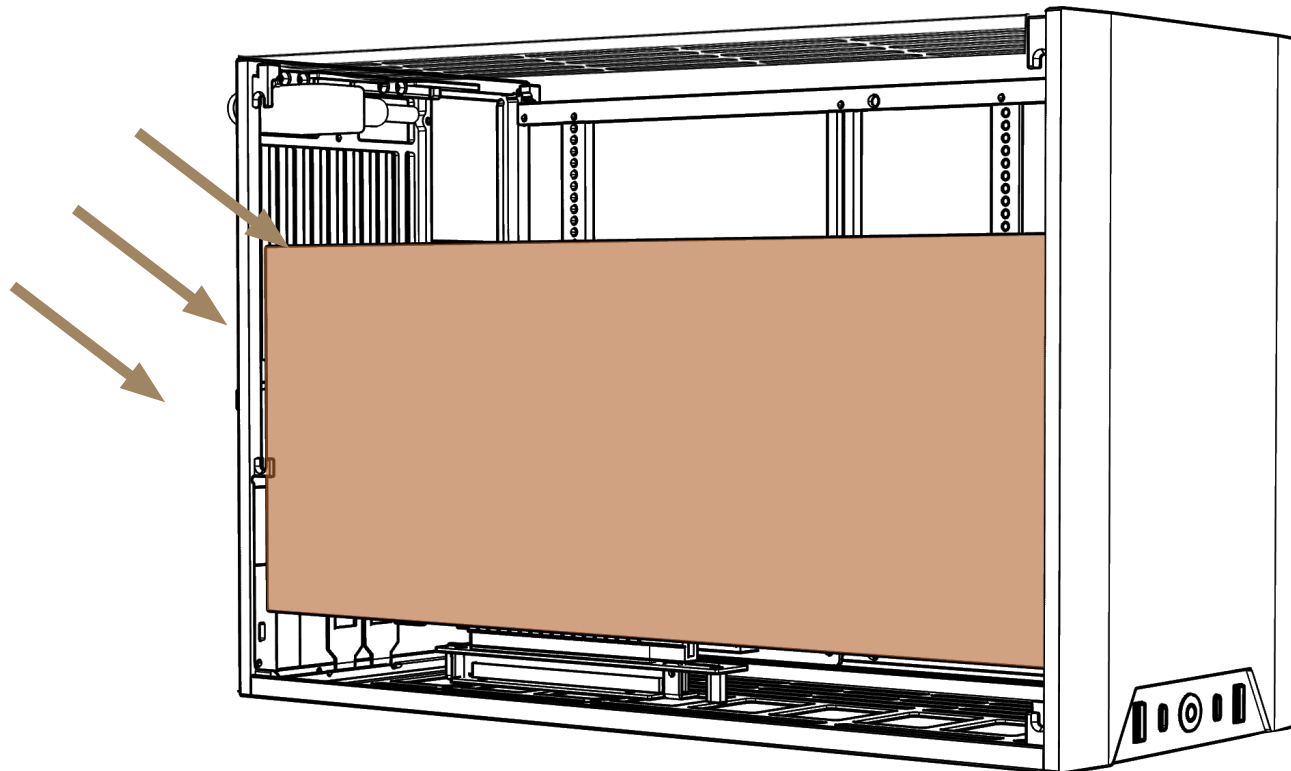
M1 Vertical GPU Configuration Build



X4

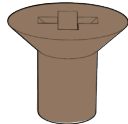
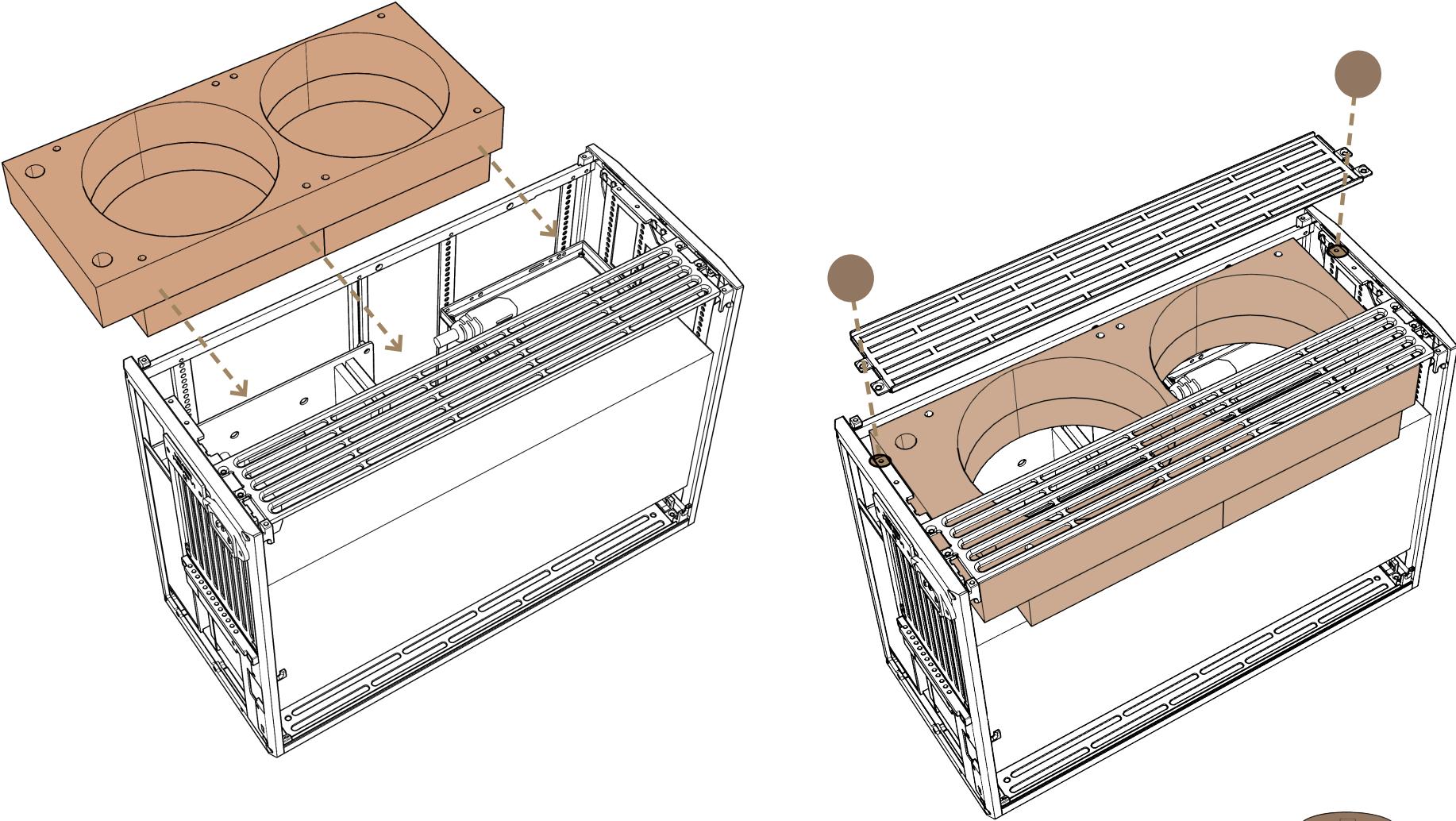
Build Guide

M1 Vertical GPU Configuration Build



Build Guide

M1 Vertical GPU Configuration Build

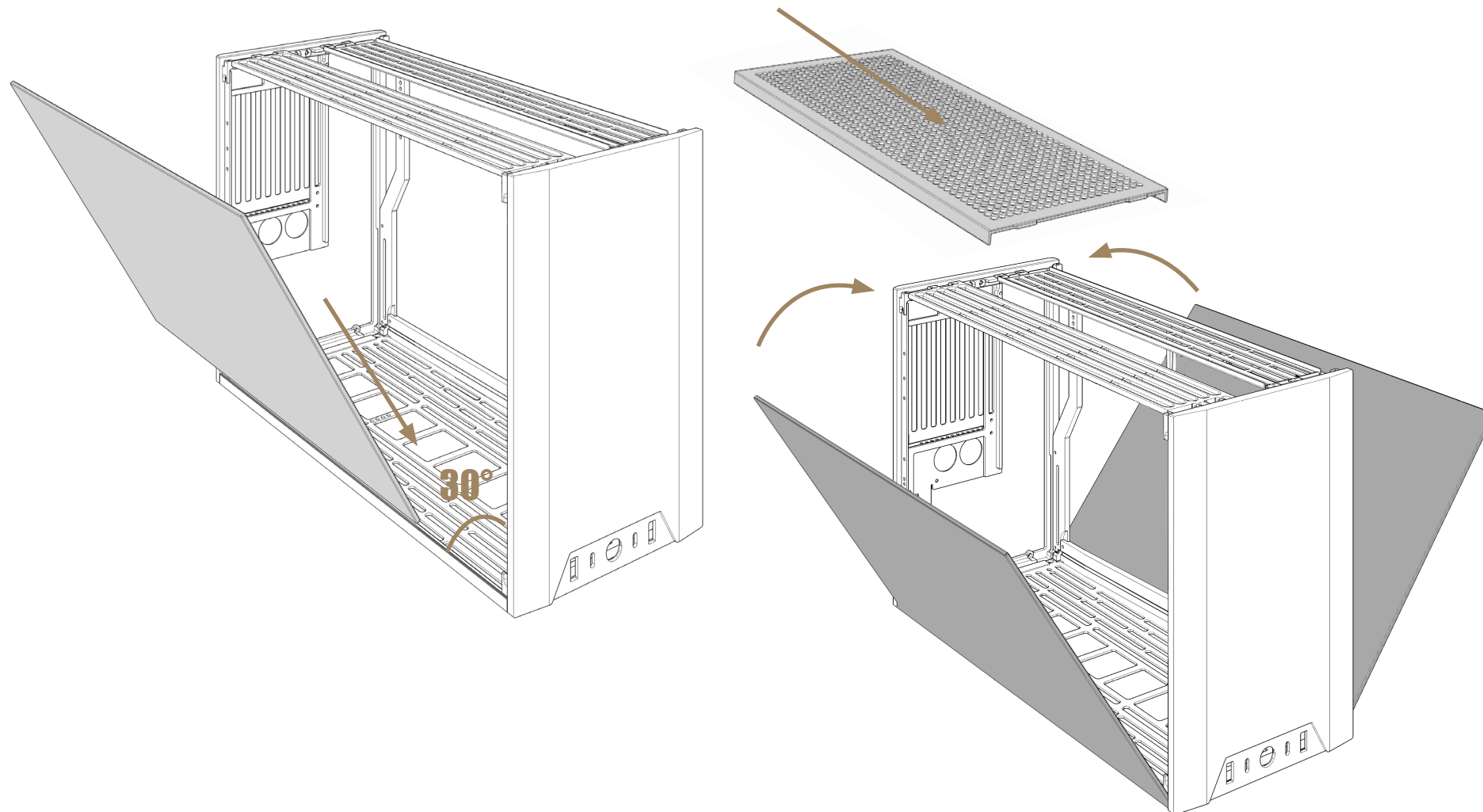


X2

M3-CS-5

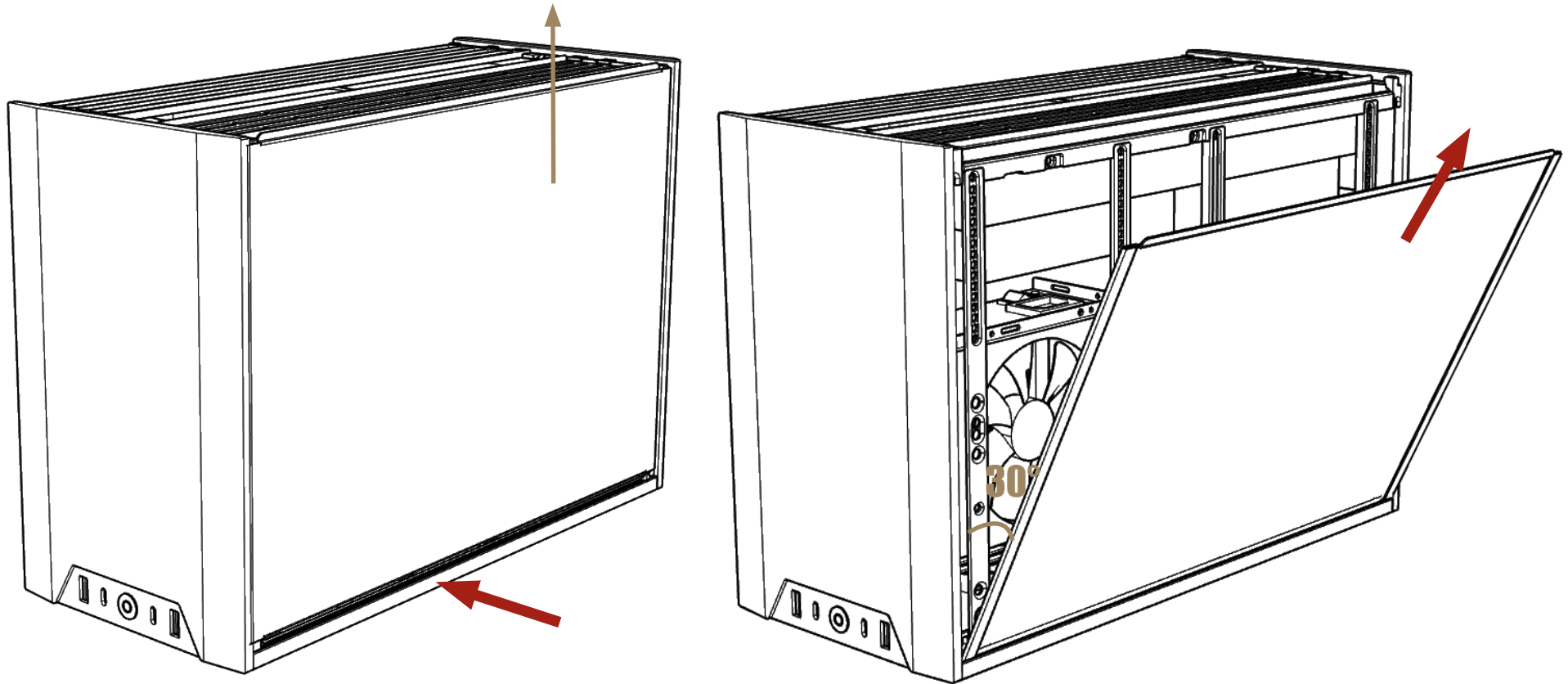
Build Guide

Outer Panels Install & Removal



Build Guide

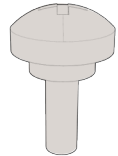
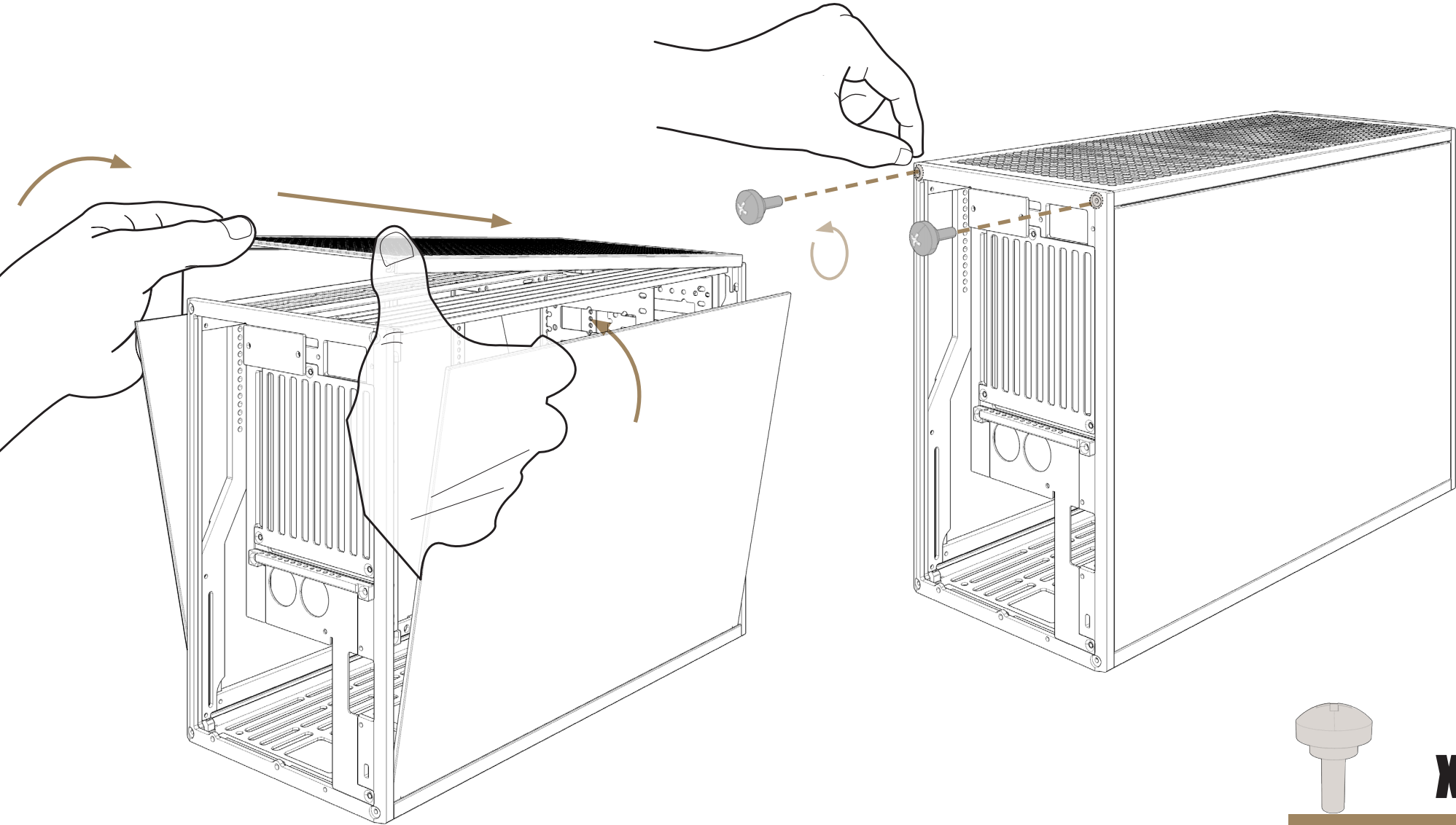
Outer Panels Install & Removal



IMPORTANT!
Motherboard side outer panel is harder to remove. Lift side panel up by 1mm first, and tilt to 30° to remove!

Build Guide

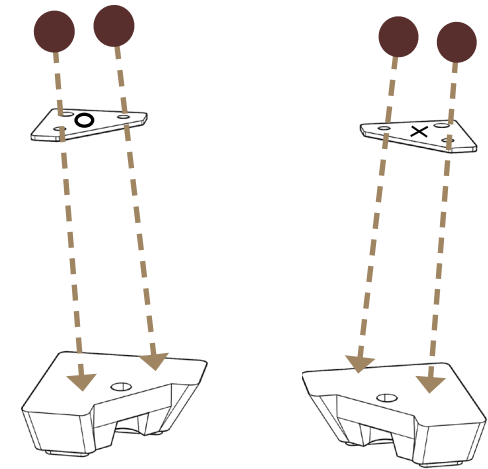
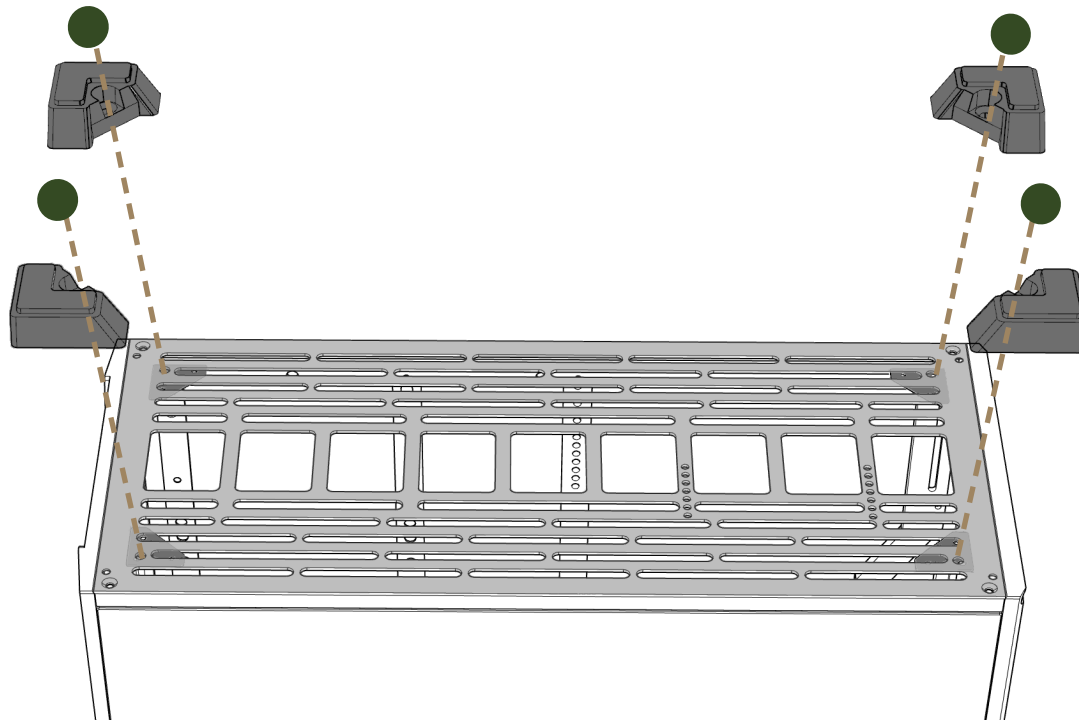
M1 Vertical GPU Configuration Build



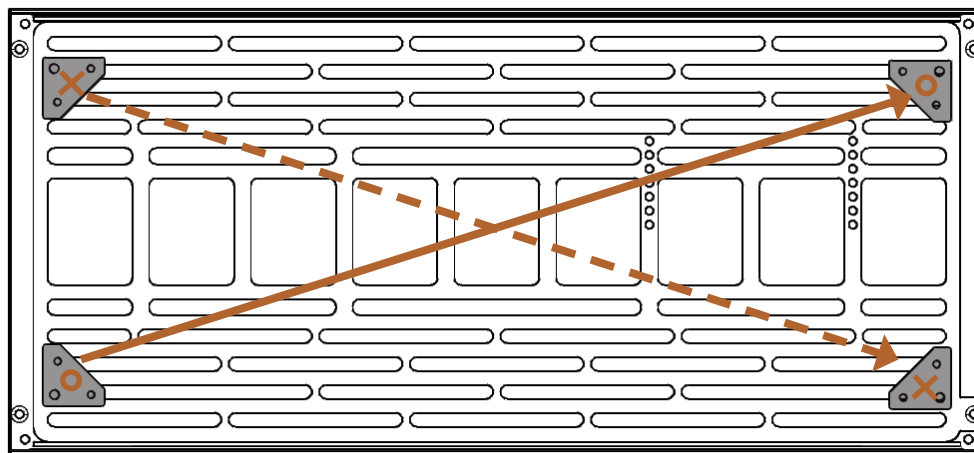
X2

Optional Steps

Case feet

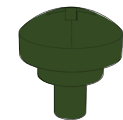


The mounting plate for Angled feet is marked with either X or O. Place the X and O plates diagonal to each other.



M4-R-8

X4

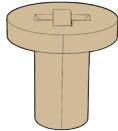
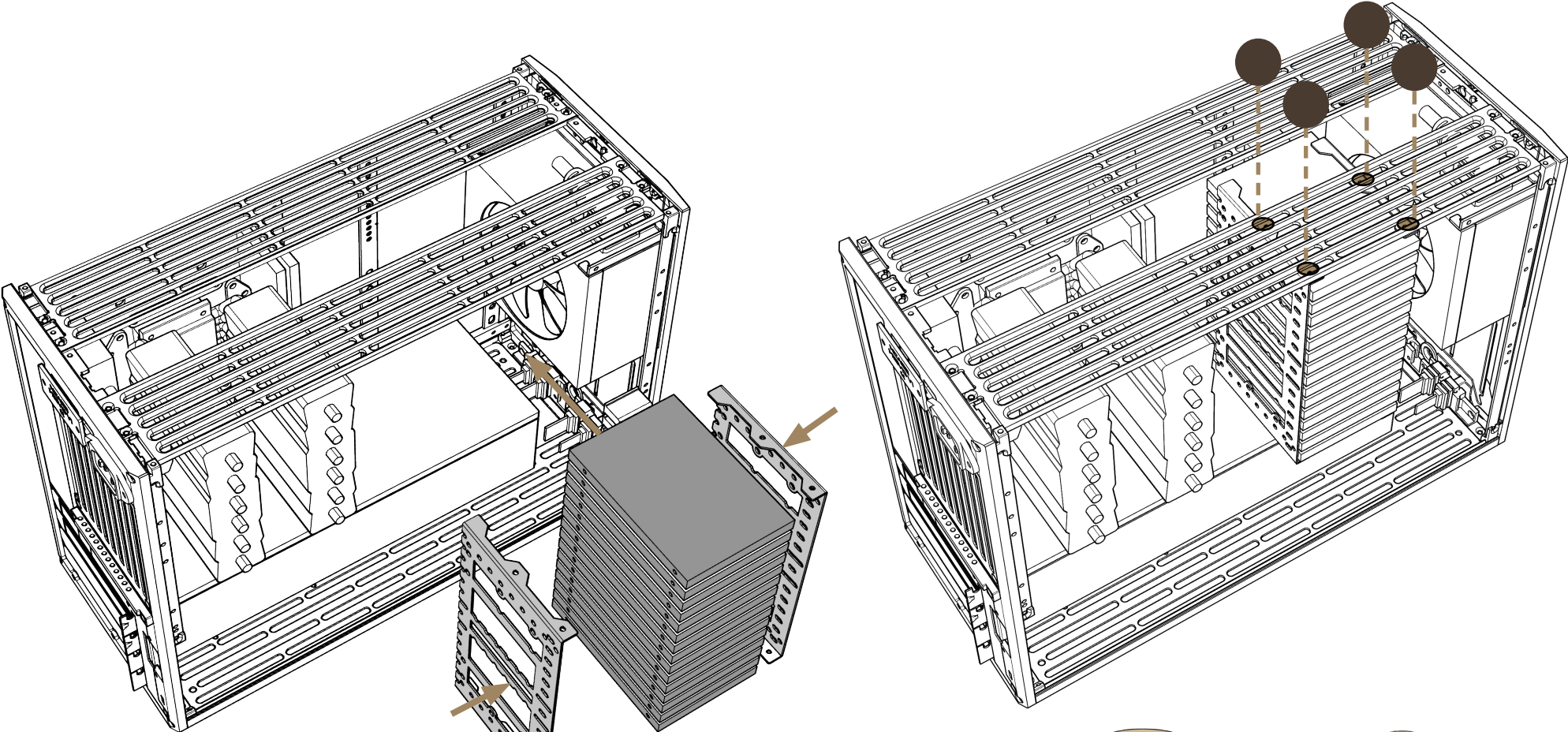


M3-TB-4

X4

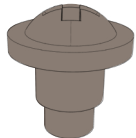
Optional Steps

Hard Drives – 2.5 Inch



X4

M3-F-5

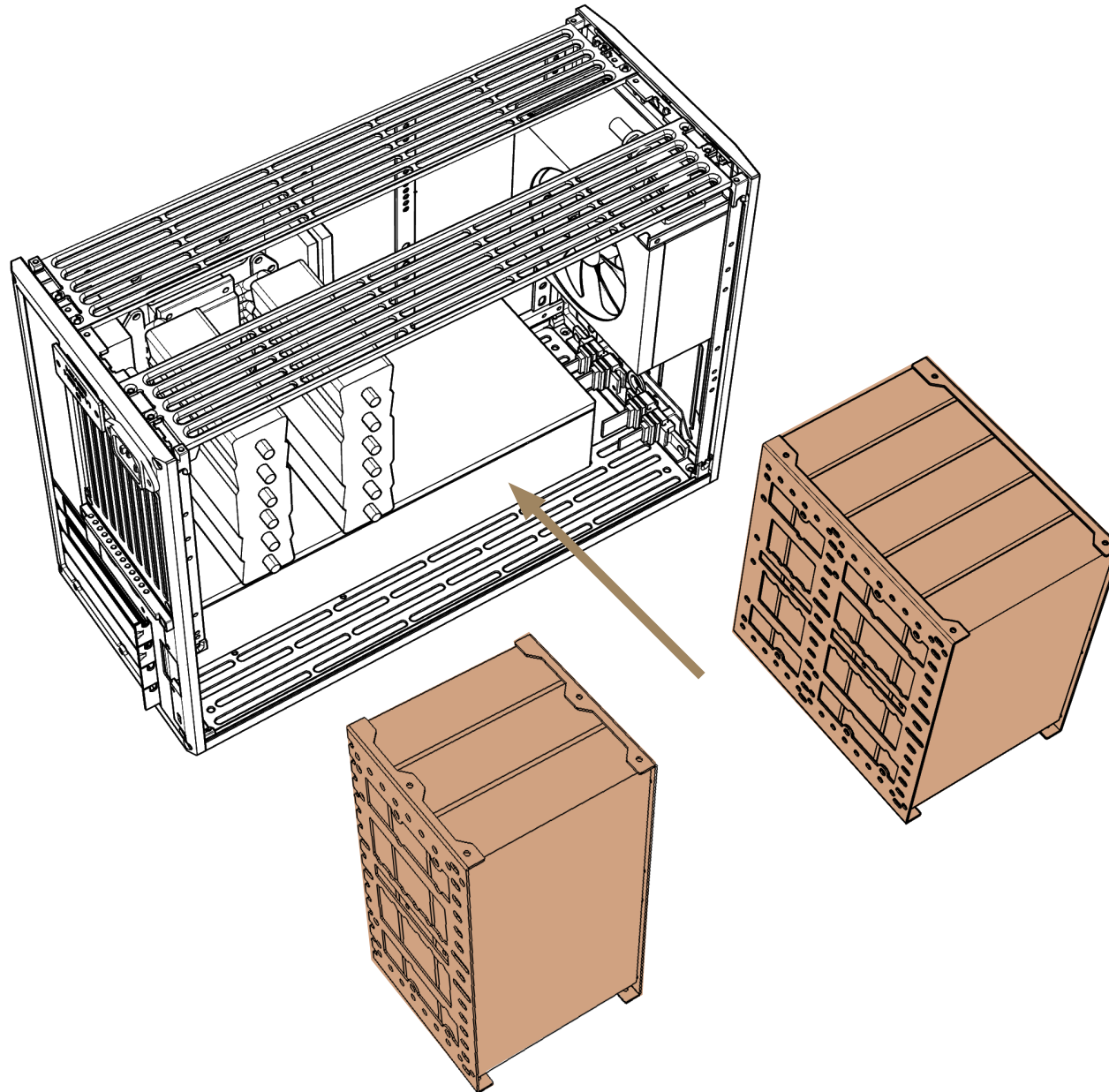


X4

M3-HDD-8

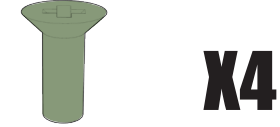
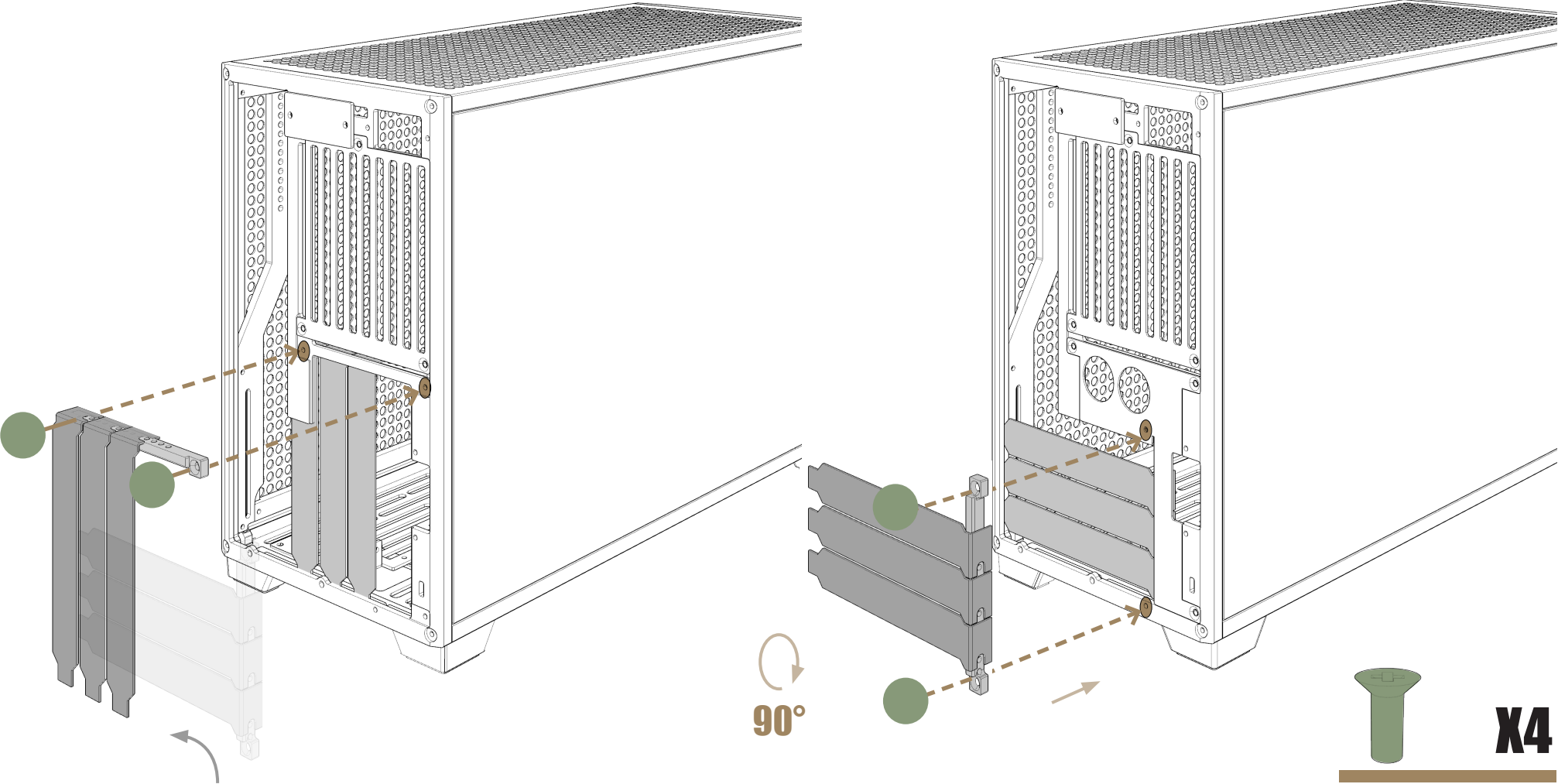
Optional Steps

Hard Drives – 3.5 Inch



Optional Steps

PCIe IO Covers

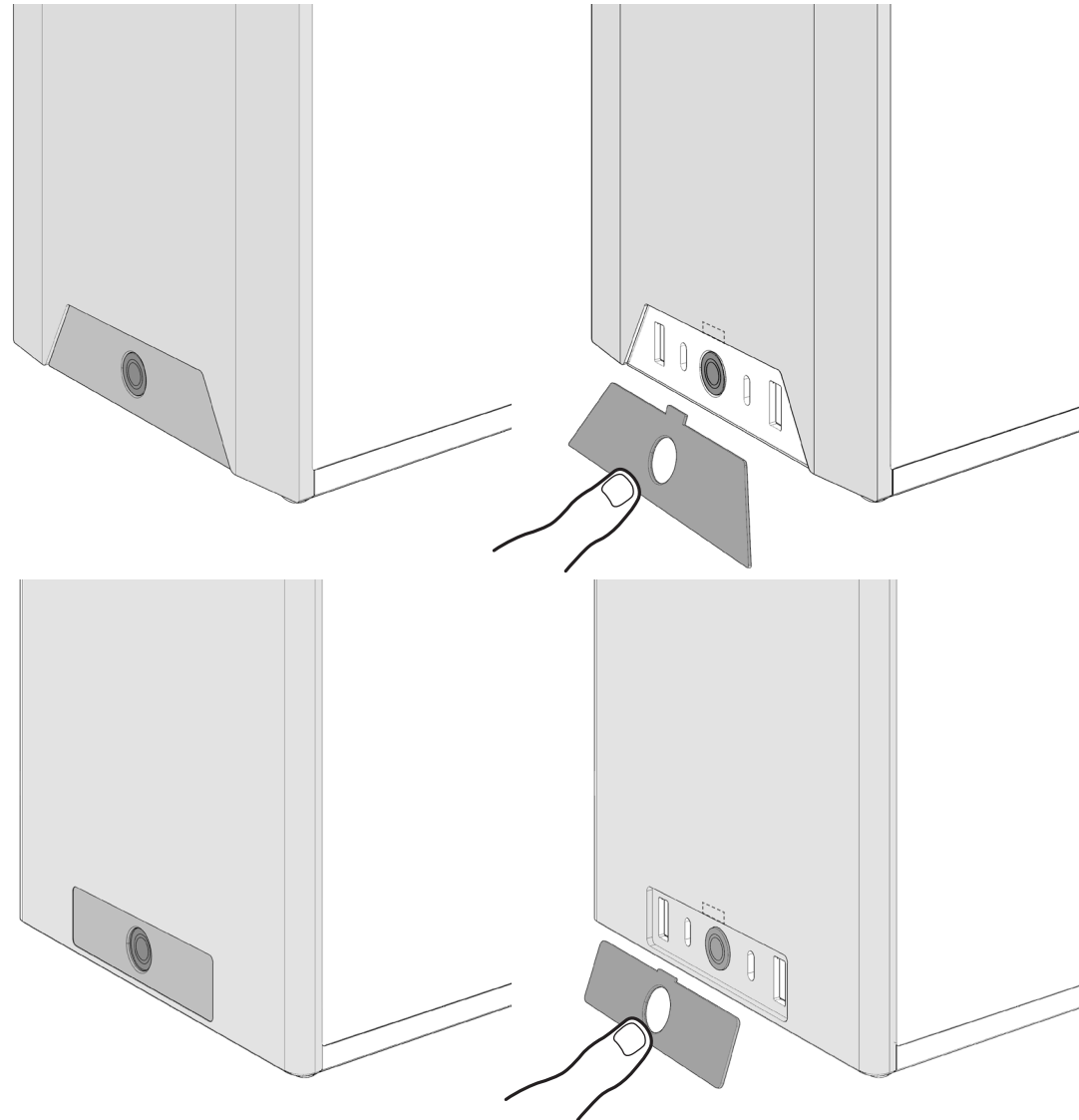


M3-CS-8

X4

Optional Steps

Front IO Cover



Optional Steps

Case Fans

