

Date:

Client:

Project:

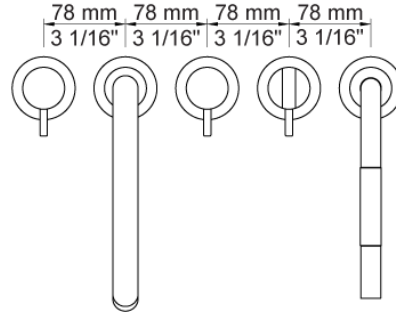
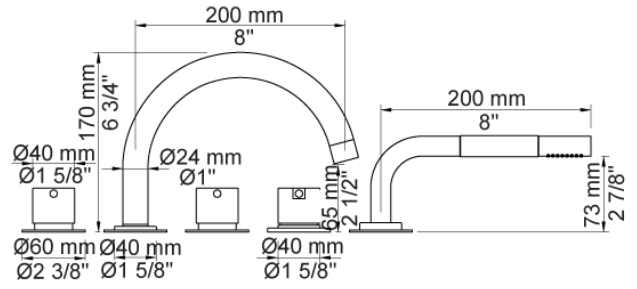


SC13

Two-handle mixer S50DH + S50D with swivel spout 090E, one-handle mixer with hand shower 500T1.

Flow

	Bar:	1.0	2.0	3.0	4.0	5.0
T1	(l/min)	5.8	8.2	10.0	11.6	12.9
090E	(l/min)	15.0	21.2	26.0	30.0	30.0

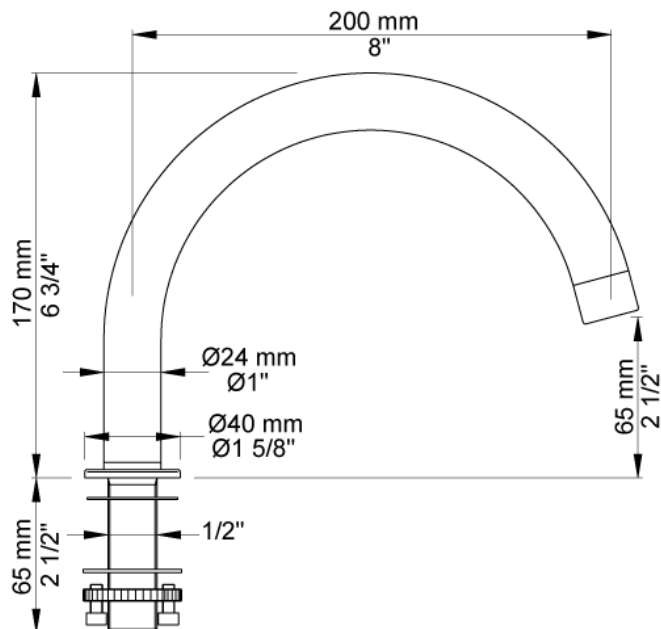


Available in colors

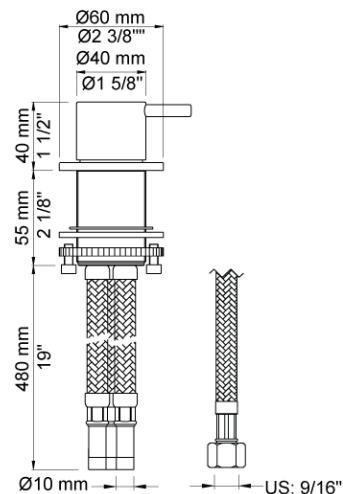
Color 02, Grey	Color 17, Gloss black
Color 04, Light blue	Color 18, White
Color 05, Orange	Color 19, Natural brass
Color 06, Light green	Color 20, Brushed chrome
Color 08, Yellow	Color 21, Carmine red
Color 09, Dark grey	Color 25, Pink
Color 12, Mocca	Color 27, Matt black
Color 14, Bright red	Color 28, Matt white
Color 15, Dark blue	Color 40, Brushed stainless steel
Color 16, Polished chrome	



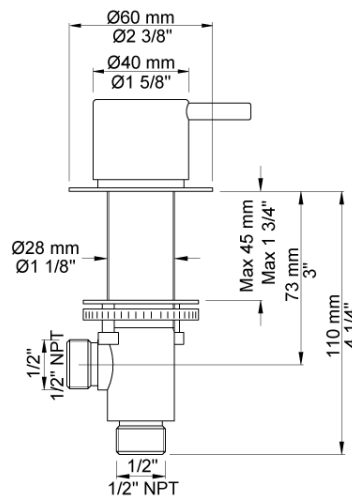
090E
Swivel spout. Height 170 mm. Hole cut out size: 22 mm.



500
One-handle table-mounted mixer.



S50
Stop valve with 1/4 turn ceramic disc technology. Includes non-return valve and 1/2 inch inlet/outlet. Hole cut out size: 30 mm.





T1
Deck mounted pull out hand shower, with hose. Work top: Max. 45 mm. Hole cut out size: 30 mm.

