





The Lilli 400 basin with its smooth curves is a sophisticated piece for a modern bathroom design and is particularly suited to small powder rooms. Manufactured in solid surface it has a smooth matt finish that is durable and easy to maintain, ideal for residential and commercial applications. It is also available with Softskin options.

Lilli 400 can be wall mounted as well as installed onto a bench top. It can be ordered with or without a tap hole and is supplied with a polished chrome pop up plug and waste and wall mounting kit.

SPECIFICATIONS

Finishes:



Matt White

Softskin Finish:

Available, refer to Softskin Finishes document

Dimensions:

400mm x 324mm x 150mm

Designer:

Omviso with Hecker Guthrie

Material:

Solid surface

Overflow:

No

Tap Holes:

0 or 1

Waste Size:

32mm

Waste Supplied:

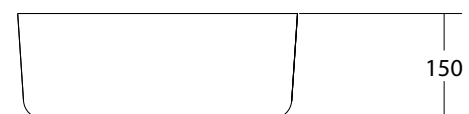
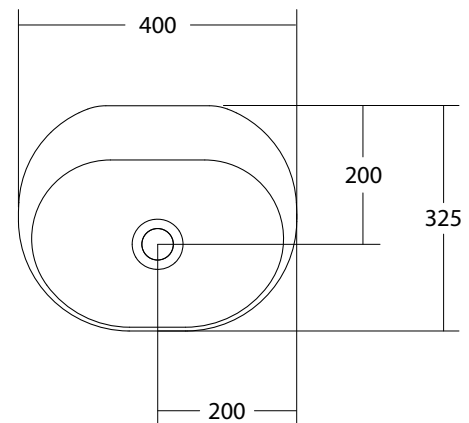
Yes - 32/40mm - with chrome pop-up waste (white solid surface cap option available)

Weight:

9.6kg

Bowl Capacity:

6.3L



Dimensions are shown in millimetres. Due to the handcrafted nature of Omviso products measurements are subject to a +/- 5mm manufacturing tolerance.