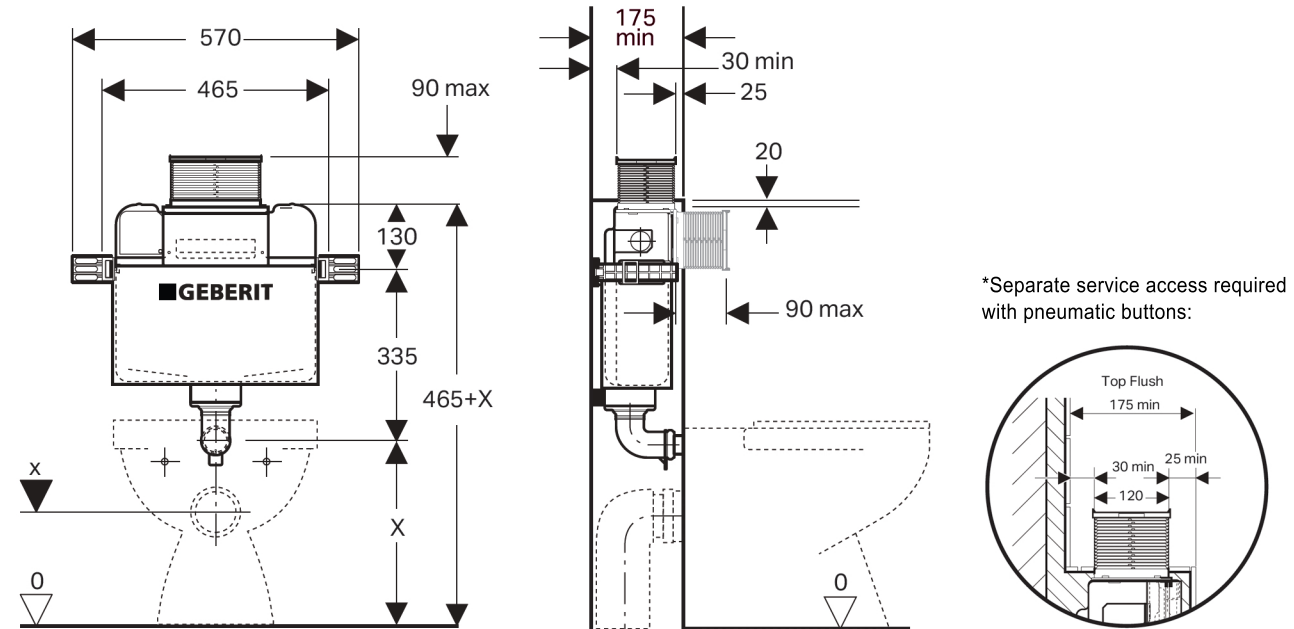


Kappa Under Counter Concealed Cistern



Features

High density, impact resistant one-piece blow moulded HDPE tank.

25-year spare parts availability and the 15 year warranty on Geberit cistern tanks and frames provides long-term security.

The dual-flush plate acts as the button and provides the access required for servicing the internal parts of the cistern.

Designed in Switzerland.

Specifications

| | |
|---------------------------|---|
| Article No. | 110.206.00.1 (6/3L) 110.208.00.1 (4.5/3L) |
| Installation type | Low height in-wall or in vanity |
| WELS rating | 3 Star (6/3L) or 4 Star (4.5/3L) |
| Pan type | Suits major BTW pans |
| Standards | Watermark |
| Operating pressure | 10-1000Kpa |
| Operation | Front or top flush |
| Warranty | 15 years on cistern tank and frame, 3 years on valves |
| Compatible buttons | Kappa20, Kapa21, Kappa50, Remotes* - in vanity, Sigma plates with Sigma adapter |