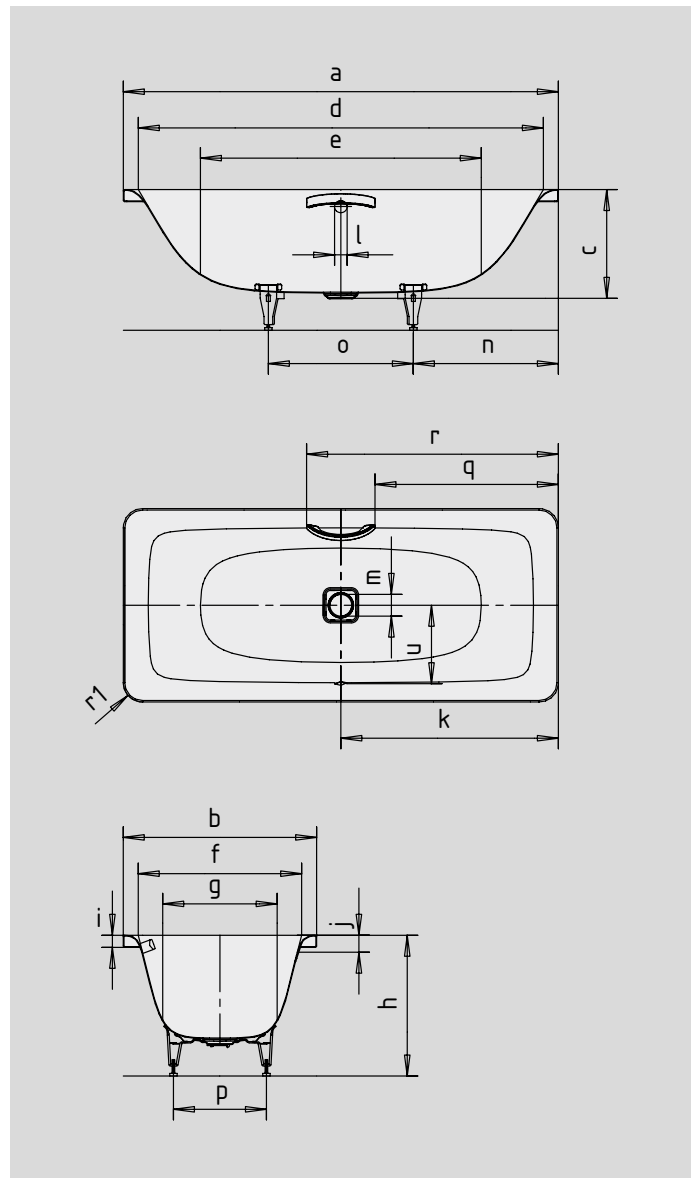


INCAVA

- this bath defines itself by its organically flowing interior
- sensually soft corner radius
- also available with grip on one side
enamelled waste cover and overflow knob integrated in the bath design
- (also available with filling function)
- bathing à deux: two identical backrests and central waste made of KALDEWEI steel enamel
- designed by Anke Salomon
- **30 YEAR WARRANTY**



Similar illustrations



GRIP DISCREET OPULENCE



Model No.		172	174	176
External length	a	1700	1800	1900 mm
External width	b	750	800	900 mm
Depth	c	425	450	450 mm
Internal length (top)	d	1576	1676	1776 mm
Internal length (bottom)	e	1112	1162	1262 mm
Internal width (top)	f	626	676	776 mm
Internal width (bottom)	g	423	473	537 mm
Height of bath	h	544-583	570-605	565-602 mm
Height of rim	i	50	50	50 mm
Distance top edge to centre of overflow hole	j	70	70	70 mm
Distance bath edge to centre of drain hole	k	850	900	950 mm
Diameter of overflow hole	l	52	52	52 mm
Diameter of drain hole	m	90	90	90 mm
Distance foot end of bath edge to centre of foot	n	566	595	591 mm
Distance between the feet	o	568	610	718 mm
Max. width of feet	p	340	360	430 mm
Distance bath edge to where grip/handle starts	q	708	758	808 mm
Distance bath edge to where grip/handle ends	r	992	1042	1092 mm
Radius	r ₁	80	80	80 mm
Distance between centre holes	u	293	320	362 mm
Water volume** in litres		96	140	188
Weight of the enamelled bath in kg		52	57	64
Full anti-slip		780 x 252	828 x 300	924 x 348 mm

Subject to technical alterations, tolerances and errors. Similar illustrations.
** 70 litres displacement on average.