

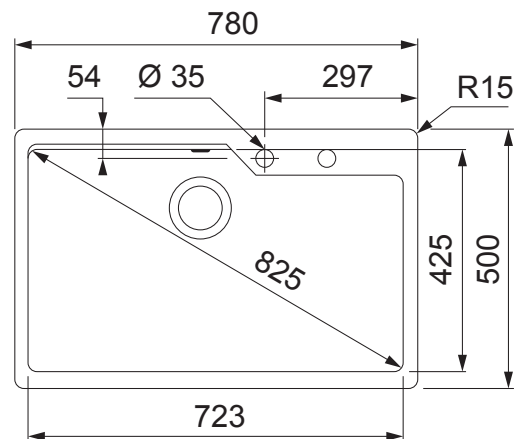
# UBG 210-78 ONYX URBAN FRAGRANITE SINK



**NOTE:** Flushmount installation requires the minimum benchtop thickness to be 20mm and a 9mm deep recess into the benchtop

## PRODUCT INFORMATION

<b>Installation</b>	Topmount/Flushmount
<b>Dimensions</b>	780(W) x 500(H)mm
<b>Cabinet Base</b>	800mm
<b>Bowl Size</b>	723(W) x 425(H) x 230(D)mm/67L
<b>Bowl Radius</b>	15mm
<b>Cut-Out Size</b>	744 x 464mm, cr=15
<b>Cut-Out Template</b>	No
<b>Waste Outlet</b>	Semi Integrated Waste
<b>Overflow</b>	Yes
<b>Tap Holes</b>	ø35mm
<b>Remote Waste</b>	No
<b>Finish</b>	Frangrinite

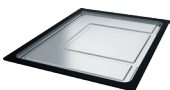


### ACCESSORIES AVAILABLE

### ACCESSORIES INCLUDED

BARE SINK OPTION AND SOME SINK & TAP PACKAGES DO NOT INCLUDE ACCESSORIES.  
PLEASE CHAT TO YOUR SALES CONSULTANT FOR FURTHER INFORMATION.

### ACCESSORIES



**DT 360**  
Extension Drainer



**SB 950**  
Strainer Bowl



**RM 44**  
Rollamat



**DB 664**  
Drainer Basket



**CB 750**  
Chopping Board

LAST UPDATED: 29 SEP 2020