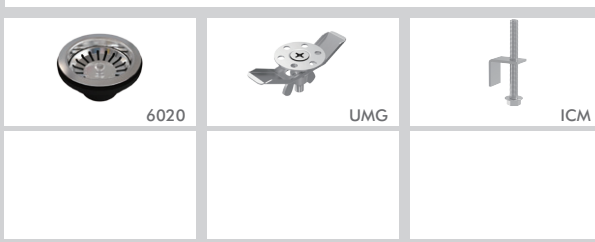




Model Code: ST460SU

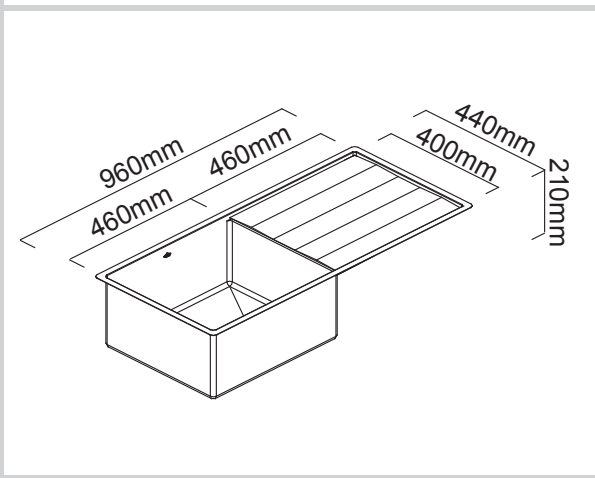
Included Accessories



Optional Accessories



Dimensions



Specifications

Description	Single bowl with a drainer, undermount sink
Overall Sink Size	960mm x 440mm x 210mm deep
Bowl Dimensions	460mm x 400mm x 210mm deep
Drainer Length	455mm
Technic	Fabrication
Material	Stainless steel SUS304

Installation

Fixings	Undermount clips supplied
Template	n/a
Min Cabinet Size	1000mm
Waste Holes	1 x 90mm square Compatible with waste disposal

Plumbing

Waste Fittings	1 x (90mm x 2") basket waste included
Overflow	n/a

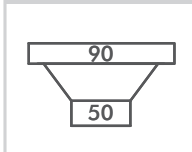
Packaging

Carton Type	EPS protection & individual carton
Gross Weight	11.75Kg
Carton Size	1040mm x 290mm x 535mm
Pack QTY	1

SURFACE FINISH



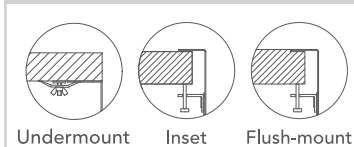
WASTE KIT



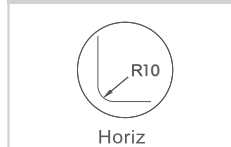
MATERIAL



INSTALLATION OPTIONS



PROFILE



Abey are Australia's leaders in sinkware, designing and manufacturing to the world's highest quality specifications as well as sourcing and bringing you Europe's very best, leading edge designs – practical, affordable, inspirational, stylish, timeless or cutting edge. When you buy an Abey stainless steel sink you receive the highest quality and 25 year warranty. Abey and the manufacturer are continually seeking ways to improve the design specifications, aesthetic and production techniques of the products. As a result, alterations to the specifications and dimensions of the products and designs occur continually.