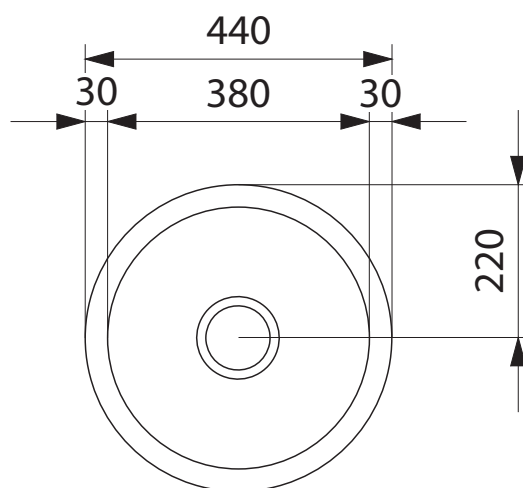


LUX 610 RAMBLA SINK



PRODUCT INFORMATION

Installation	Topmount
Dimensions	ø440mm
Cabinet Base	450mm
Bowl Size	ø380(W) x 190(D)mm/22L
Bowl Radius	ø440mm
Cut-Out Size	ø425mm
Cut-Out Template	No
Waste Outlet	Semi Integrated Waste
Overflow	No
Tap Holes	No
Remote Waste	No
Finish	Stainless Steel

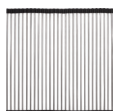


ACCESSORIES AVAILABLE

ACCESSORIES INCLUDED

BARE SINK OPTION AND SOME SINK & TAP PACKAGES DO NOT INCLUDE ACCESSORIES.
PLEASE CHAT TO YOUR SALES CONSULTANT FOR FURTHER INFORMATION.

ACCESSORIES



RM 44
Rollamat

LAST UPDATED: 7 DEC 2020