



Model Code: PZ340

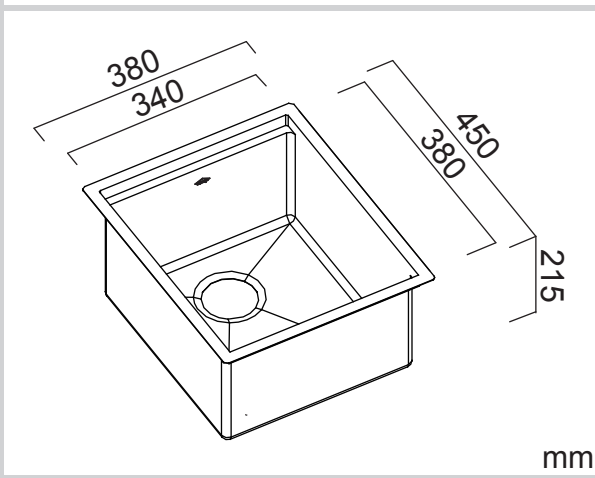
Included Accessories



Optional Accessories



Dimensions



Specifications

Description	Single bowl, Inset Sink
Overall Sink Size	380mm x 450mm x 215mm deep
Bowl Dimensions	340mm x 380mm x 215mm deep
Drainer Length	N/A
Technic	Fabrication
Material	Stainless steel SUS304

Installation

Fixings	Inset clips supplied
Template	N/A
Min Cabinet Size	500mm
Waste Holes	1 x 90mm round Compatible with waste disposal
Sealing Strip	N/A

Plumbing

Waste Fittings	1 x (90mm x 2") basket waste included
Overflow	Available, conditions apply

Packaging

Carton Type	EPS protection & Carton
Gross Weight	8.9Kg
Carton Size	465mm x 286mm x 513mm
Pack QTY	1

SURFACE FINISH Scotchbrite	WASTE KIT 90 50	MATERIAL SUS 304 Stainless Steel
--	----------------------------------	--

INSTALLATION OPTIONS Inset Flush-mount	PROFILE Corner
--	------------------------------

Abey are Australia's leaders in sinkware, designing and manufacturing to the world's highest quality specifications as well as sourcing and bringing you Europe's very best, leading edge designs – practical, affordable, inspirational, stylish, timeless or cutting edge. When you buy an Abey stainless steel sink you receive the highest quality and 25 year warranty. Abey and the manufacturer are continually seeking ways to improve the design specifications, aesthetic and production techniques of the products. As a result, alterations to the specifications and dimensions of the products and designs occur continually.