

Ellisse MKII Ambulant Wall Faced Pan with Pressalit Seat

Product Code: PN83P

The Ellisse MKII Ambulant Wall Faced Pan is designed to meet the compliance requirements of AS1428.1-2009. The elevated height of the pan assists persons whose mobility is impaired. PARISI have combined the superbly designed Pressalit seat with this accommodating pan. The Pressalit seat brings Scandinavian luxury into the bathroom, with a highly functional, elegantly designed and visually appealing toilet seat ideal for virtually any setting.

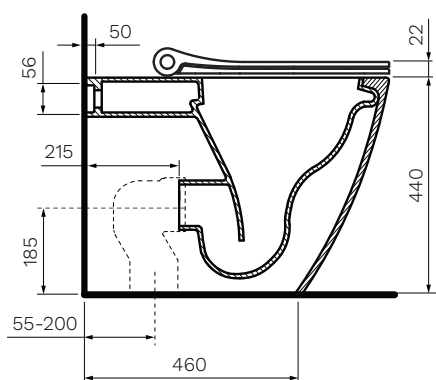


Gloss
White

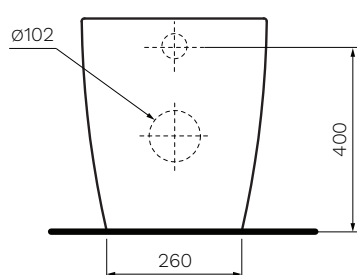
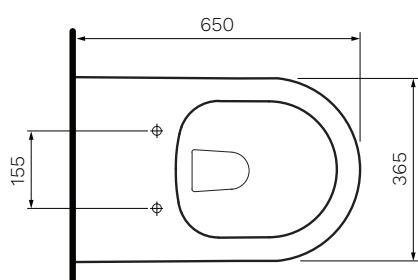


**reddot design award
winner 2016**

*PN5620



- Colour & Finish** — White Gloss
- Material** — Ceramic
- W x D x H** — 365 x 650 x 440mm
- Rim Type** — PARISI Rimless
- Seat Type** — Soft Close, Slim profile, Easy Lift-off hinges, Antibacterial Polygiene (PN5620)
- Surface Hygiene** — Easyclean Antibacterial protection
- P Trap** — 185mm height FFL
- S Trap** — 55 - 200mm using PN0030 connector (included)
- Water Inlet** — Back Inlet 400mm height FFL
- Cistern Options** — Compatible with concealed cisterns (PA110, PA111, PA130, PA135, PA136, PA137)
- Button Options** — Compatible with push button panels and remote button sets (PA221 - PA265)
- WELS** — 4 STAR 4.5/3.0L 3.1L Average Flush
- Warranty** — 10 Years (Conditions Apply)



PARISI



RIMLESS



PRESSALIT®