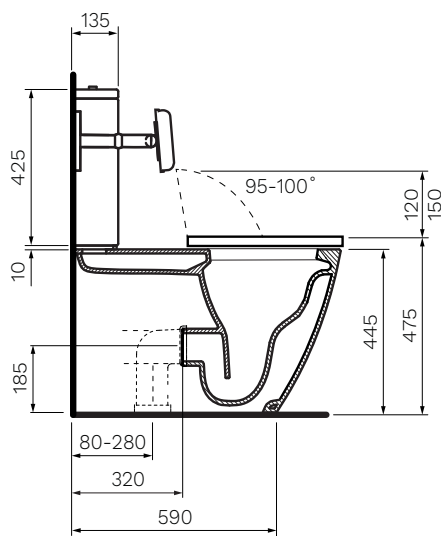



Ellisse Accessible Toilet Suite with Backrest

Product Code: PN800B

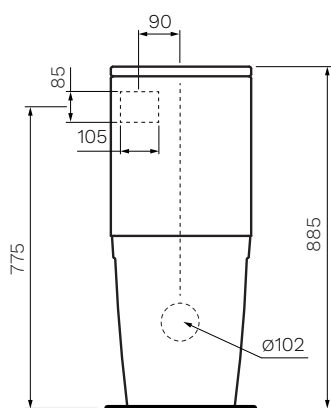
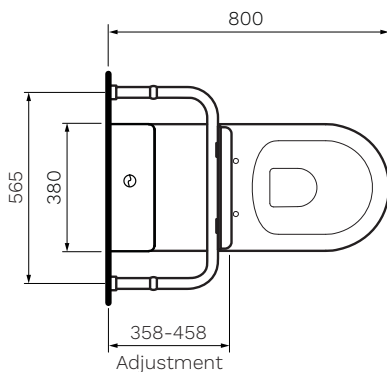
The Ellisse Accessible Toilet Suite with Backrest is designed to meet the compliance requirements of AS1428.1-2009. The extended projection and elevated pan height assists persons with disabilities. The backrest is site adjustable upon installation. Suitable for accessible unisex sanitary facilities.




Gloss
White



- Colour & Finish** — White Gloss
- Material** — Suite: Ceramic, Backrest: 304 Stainless Steel, Polyurethane
- Dimensions** — 565 x 800 x 885mm
- Rim Type** — PARISI Rimless
- Seat Type** — Single Flap, Heavy Grade, Contrasting Grey with Lateral Stabilisers (PN5800)
- Surface Hygiene** — Easyclean Antibacterial protection
- P Trap** — 185mm height FFL
- S Trap** — 80 - 280mm using PN0030 connector (included)
- Water Inlet** — Back Inlet 775mm height FFL / Bottom Inlet L&R
- Compliance** — Can be installed to Comply with AS1428.1-2009 includes Raised Push Buttons and Tactile Indicators
- WELS** — 4 STAR 4.5/3L 3.5L Average Flush
- Warranty** — 10 years (Conditions Apply)



FRONT VIEW

PARISI



RIMLESS

