



STUDIO BAGNO

Nicole

STYLE

Wall Faced Pan

CODE

NI002

WEIGHT

(Pan) 25 kg, **(Seat)** 2 kg

COLOURS

- Gloss White
- Matte Black (additional cost)
- Matte White (additional cost)
- Gloss Black (additional cost)

INCLUSIONS

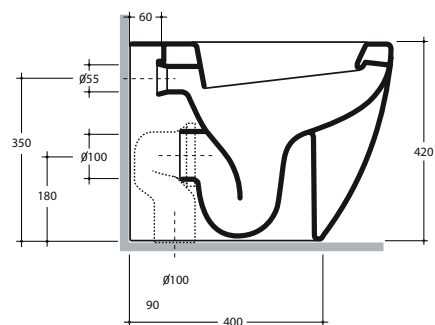
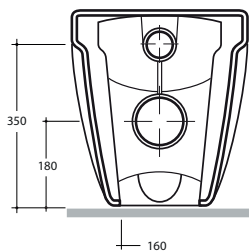
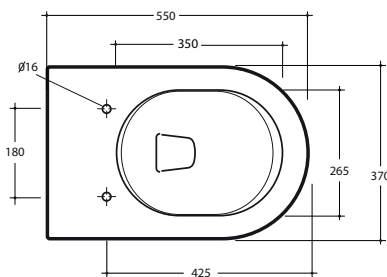
Connector, soft close seat and fixings included.

N.B. - S-trap connector supplied as standard.

Notes

Set out 90 mm (S-Trap)
Suitable for S-Trap or P-Trap Installation.

Cleanmax nanotech anti-bacterial surface technology.



CLEANMAX
ANTI-BACTERIAL
SELF CLEANING GLAZE

Note: All dimensions are in millimetres and are subject to normal manufacturing variances. Studio Bagno Pty Ltd reserves the right to vary specifications at any time without notice. Date created: 14/02/13.