





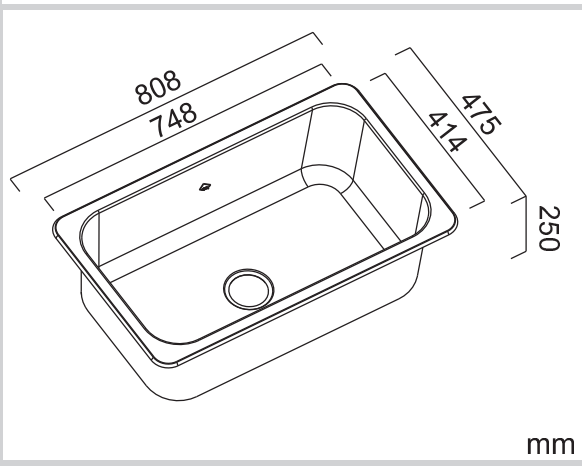
Model Code: LT75

Included Accessories

 Inset Clip	 6020	

Optional Accessories

Dimensions



Specifications

Description	Single bowl, inset sink
Overall Sink Size	808mm x 475mm x 250mm deep
Bowl Dimensions	748mm x 414mm x 250mm deep
Drainer Length	N/A
Technic	Pressed
Material	Stainless steel SUS304

Installation

Fixings	Inset clips supplied
Template	N/A
Min Cabinet Size	818mm
Waste Holes	1 x 90mm round Compatible with waste disposal
Sealing Strip	Factory fitted

Plumbing

Waste Fittings	1 x (90mm x 2") basket waste included
Overflow	Available, conditions apply

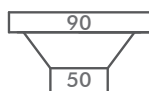
Packaging

Carton Type	EPS protection & individual carton
Gross Weight	6.72Kg
Carton Size	850mm x 520mm x 290mm
Pack QTY	3

SURFACE FINISH



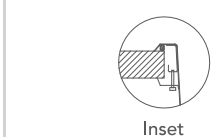
WASTE KIT



MATERIAL



INSTALLATION OPTIONS



PROFILE