





Model Code: LG100U

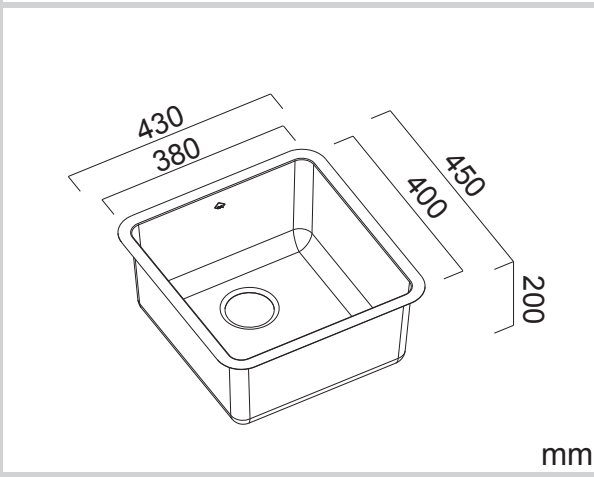
Included Accessories

		
Undermount Clip	6020	DT-05

Optional Accessories

		
CBB390	CBG415	DR007

Dimensions



Specifications

Description	Single bowl, undermount sink
Overall Sink Size	430mm x 450mm x 200mm deep
Bowl Dimensions	380mm x 400mm x 200mm deep
Drainer Length	N/A
Technic	Pressed
Material	Stainless steel SUS304

Installation

Fixings	Undermount clips supplied
Template	Supplied
Min Cabinet Size	470mm
Waste Holes	1 x 90mm round Compatible with waste disposal
Sealing Strip	Factory fitted

Plumbing

Waste Fittings	1 x (90mm x 2") basket waste included
Overflow	Available, conditions apply

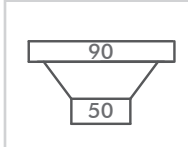
Packaging

Carton Type	EPS protection & individual carton
Gross Weight	5.5Kg
Carton Size	500mm x 290mm x 520mm
Pack QTY	1

SURFACE FINISH



WASTE KIT



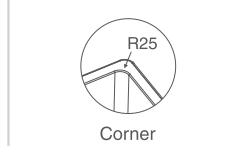
MATERIAL



INSTALLATION OPTIONS



PROFILE



Abey are Australia's leaders in sinkware, designing and manufacturing to the world's highest quality specifications as well as sourcing and bringing you Europe's very best, leading edge designs – practical, affordable, inspirational, stylish, timeless or cutting edge. When you buy an Abey stainless steel sink you receive the highest quality and 25 year warranty. Abey and the manufacturer are continually seeking ways to improve the design specifications, aesthetic and production techniques of the products. As a result, alterations to the specifications and dimensions of the products and designs occur continually.