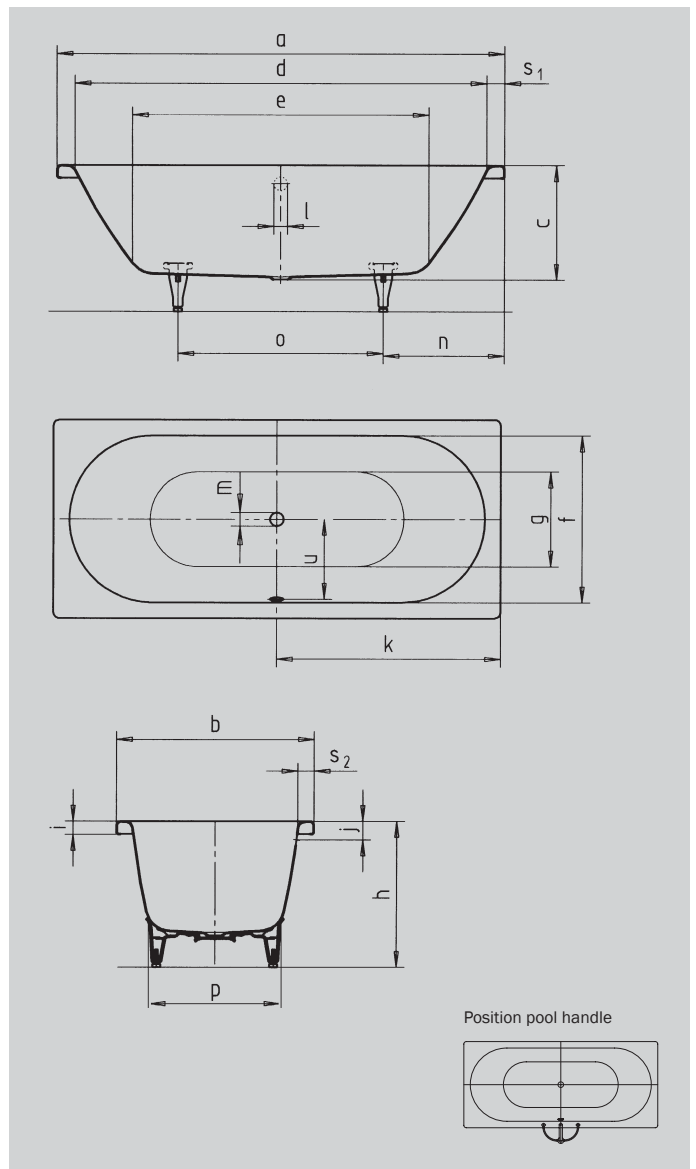


# CLASSIC DUO

- pure simplicity and unpretentious elegance are what distinguish these baths
- bathing with a friend: two identical back rests and centrally positioned waste
- classical four-cornered model
- made of Kaldewei steel enamel 3.5 mm
- **30 YEAR WARRANTY**



Model No.		103	107	110	114
External length	a	1600	1700	1800	1900 mm
External width	b	700	750	800	900 mm
Depth	c	430	430	430	430 mm
Internal length (top)	d	1480	1580	1680	1780 mm
<b>Internal length (bottom)</b>	<b>e</b>	<b>1030</b>	<b>1130</b>	<b>1230</b>	<b>1330 mm</b>
Internal width (top)	f	580	630	680	780 mm
Internal width (bottom)	g	450	500	550	650 mm
Height with feet	h	570-605	560-595	555-590	550-580 mm
Height of rim	i	32	32	32	32 mm
Distance top edge to centre of overflow hole	j	70	70	70	70 mm
Distance bath edge to centre of drain hole	k	800	850	900	950 mm
Diameter of overflow hole	l	52	52	52	52 mm
Diameter of drain hole	m	52	52	52	52 mm
Distance foot end of bath edge to centre of foot	n	560	560	600	630 mm
Distance between the feet	o	480	580	600	640 mm
Max. width of feet	p	430	470	540	650 mm
Width of rim (foot end; lengthwise)	s <sub>1</sub> ; s <sub>2</sub>	60; 60	60; 60	60; 60	60; 60 mm
Distance between centre holes	u	280	305	330	380 mm
Water volume** in litres		95	122	158	213
Weight of the enamelled bath in kg		44	48	53	62
Anti-slip		☒ 288	☒ 435	☒ 435	☒ 435 mm
Full anti-slip		850 x 240	900 x 300	900 x 300	1097 x 406 mm

Note: The operational system may protrude on some whirl systems.  
 Please refer to the Technical Information for Whirl Systems for further information.  
 Subject to technical alterations, tolerances and errors. Similar illustration.  
 \*\* 70 litres displacement on average.

**KALDEWEI**