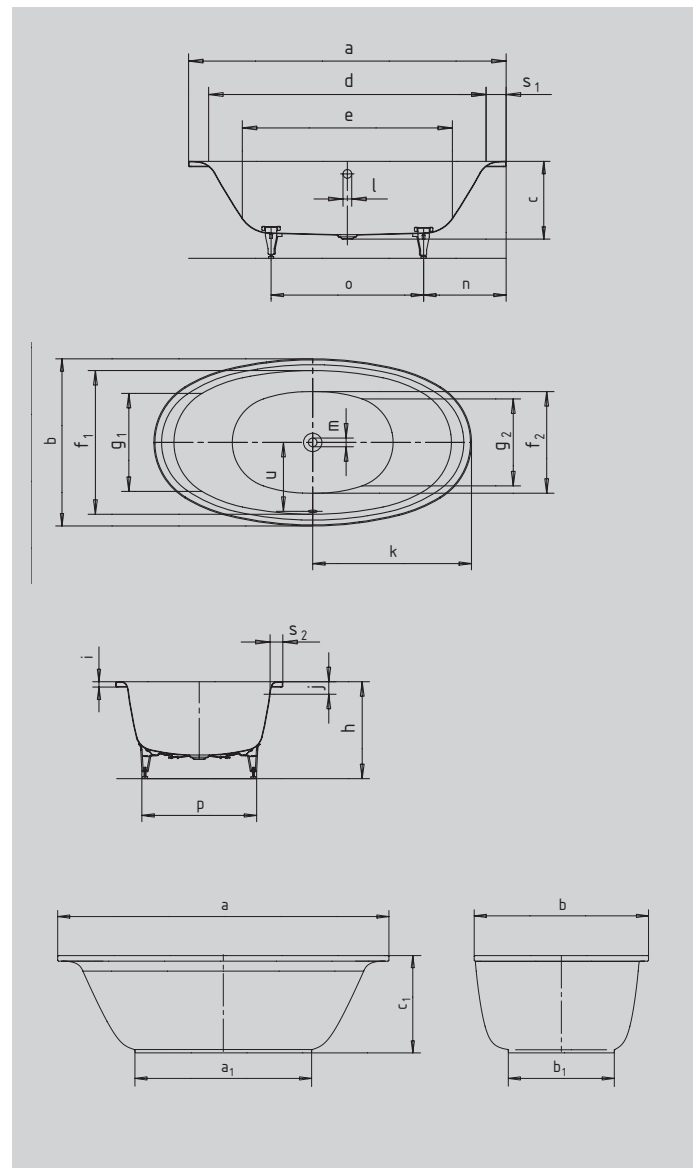


## ELLIPSO DUO OVAL ELLIPSO DUO OVAL WITH MOULDED PANEL

- ; gently shaped shoulder rest for more pleasure and comfort
- ; elliptical exterior form reflects the interior form
- ; bathing with a friend: two identical back rests and centrally positioned waste
- ; made of Kaldewei steel enamel 3,5 mm
- ; the moulded panel emphasizes the high design standard and means the bath can be free-standing
- ; enamelled waste cover and overflow knob integrated in the bath design



Similar illustration



Model No.		232	232-7
External length	a	1900	1900 mm
External length (bottom)	a <sub>1</sub>	-	1013 mm
External width	b	1000	1000 mm
External width (bottom)	b <sub>1</sub>	-	608 mm
Depth	c	465	465 mm
Overall height with panel	c <sub>1</sub>	-	558 mm
Internal length (top)	d	1660	1660 mm
<b>Internal length (bottom)</b>	<b>e</b>	<b>1260</b>	<b>1260 mm</b>
Internal width (top)	f <sub>1</sub> ; f <sub>2</sub>	860; 610	860; 610 mm
Internal width (bottom)	g <sub>1</sub> ; g <sub>2</sub>	585; 520	585; 520 mm
Height with feet	h	565-595	mm
Height of rim	i	32	32 mm
Distance top edge to centre of overflow hole	j	75	75 mm
Distance bath edge to centre of drain hole	k	950	950 mm
Diameter of overflow hole	l	52	52 mm
Diameter of drain hole	m	52	52 mm
Distance foot end of bath edge to centre of foot	n	585	585 mm
Distance between the feet	o	730	730 mm
Max. width of feet	p	620	620 mm
Width of rim (foot end; lengthwise)	s <sub>1</sub> ; s <sub>2</sub>	120; 65	120; 65 mm
Distance between centre holes	u	421	421 mm
Water volume** in litres		214	214
Weight of the enamelled bath in kg		55	-
Anti-slip		Ø 587	Ø 587 mm
Full anti-slip		900 x 546	900 x 546 mm

Note: The operational system may protrude on some whirl systems.  
Please refer to the Technical Information for Whirl Systems for further information.  
Subject to technical alterations, tolerances and errors. Similar illustration.  
\*\* 70 litres displacement on average.