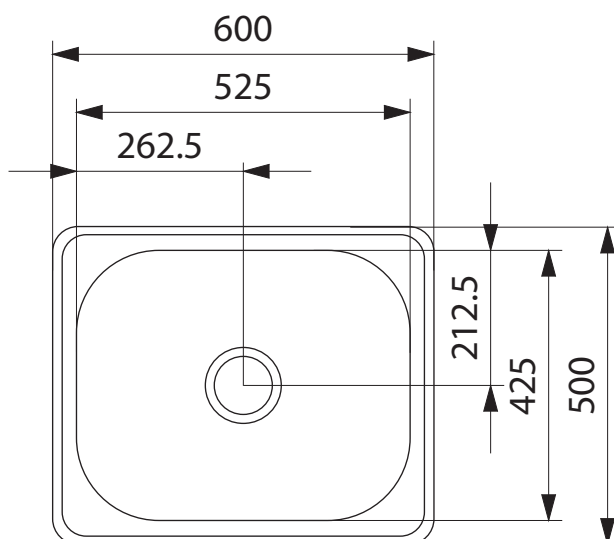


DLT 610 DELUXE LAUNDRY TUB



PRODUCT INFORMATION

Installation	Topmount
Dimensions	600(W) x 500(H)mm
Cabinet Base	600mm
Bowl Size	525(W) x 425(H) x 230(D)mm/43L
Cut-Out Size	588 x 488mm, cr=50
Cut-Out Template	No
Waste Outlet	Semi Integrated Waste
Overflow	No
Tap Holes	No
Remote Waste	No
Finish	Stainless Steel



Optional Bypass Plumbing Kit available

BARE SINK OPTION AND SOME SINK & TAP PACKAGES DO NOT INCLUDE ACCESSORIES.
PLEASE CHAT TO YOUR SALES CONSULTANT FOR FURTHER INFORMATION.

LAST UPDATED: 7 DEC 2020