





The CDesign 1 620 double wall hung basin is an uncomplicated yet timeless design. The understated detailing of the basin provides you with a functional yet stunning piece for your modern or traditional bathroom. Manufactured from solid surface it has a smooth matt finish that is exceptionally hard wearing, durable and is also available with Softskin options.

The CDesign 1 620 double can be wall mounted or installed with cabinetry. For ultimate flexibility it can be supplied with or without tap holes and is supplied with polished chrome pop up plug and wastes and wall mounting bolts.

SPECIFICATIONS

Finishes:



Matt White

Softskin Finish:

Available refer to Softskin Finishes document

Dimensions:

1620mm x 430mm x 175mm

Designer:

Omvivo with Carr Design Group

Material:

Solid surface

Overflow:

Yes

Tap Holes:

0, 2 or 6

Waste Size:

32mm

Waste Supplied:

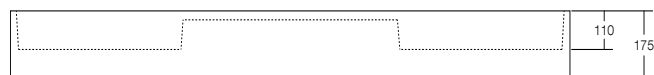
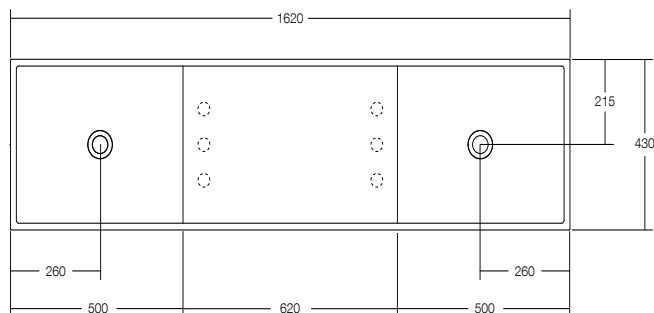
Yes - 32/40mm - with chrome pop-up waste (white solid surface cap option available)

Weight:

44.6kg

Bowl Capacity:

9.9L



Dimensions are shown in millimetres. Due to the handcrafted nature of Omvivo products measurements are subject to a +/- 5mm manufacturing tolerance.