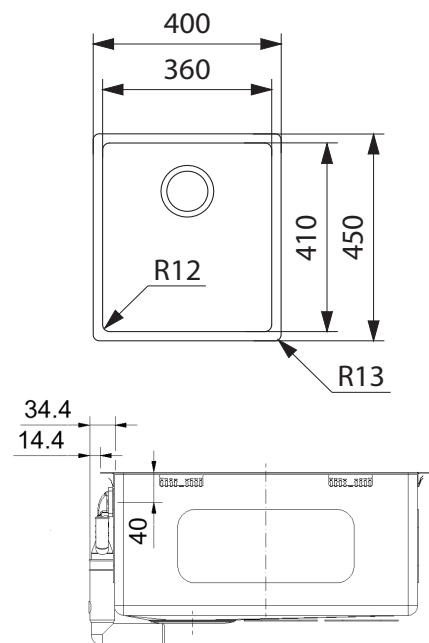


BOX 210-36
BOLERO



PRODUCT INFORMATION

Installation	Topmount/Flushmount/Undermount
Dimensions	400(W) x 450(H)mm
Cabinet Base	450mm
Bowl Size	360(W) x 410(H) x 200(D)mm/29L
Bowl Radius	12mm
Cut-Out Size	Template
Cut-Out Template	Yes
Waste Outlet	Semi Integrated Waste
Overflow	Yes
Tap Holes	No
Remote Waste	No
Finish	Stainless Steel



ACCESSORIES AVAILABLE

ACCESSORIES INCLUDED

BARE SINK OPTION AND SOME SINK & TAP PACKAGES DO NOT INCLUDE ACCESSORIES. PLEASE CHAT TO YOUR SALES CONSULTANT FOR FURTHER INFORMATION.

ACCESSORIES



DT 360
Extension Drainer



RM 44
Rollamat



DB 664
Drainer Basket



SB 452
Strainer Bowl



CB 964
Chopping Board



CB 931
Chopping Board

LAST UPDATED: 7 DEC 2020