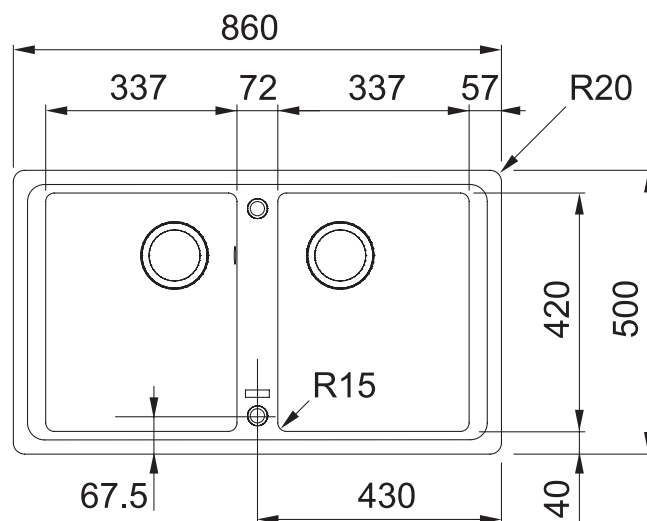


# BFG 620 ONYX REV BASIS SINK



## PRODUCT INFORMATION

<b>Installation</b>	Topmount
<b>Dimensions</b>	860(W) x 500(H) mm
<b>Cabinet Base</b>	900mm
<b>Bowl Size</b>	337(W) x 420(H) x 190(D)mm/ 27L (x2)
<b>Bowl Radius</b>	15mm
<b>Cut-Out Size</b>	840 x 480mm
<b>Cut-Out Template</b>	No
<b>Waste Outlet</b>	Semi Integrated Waste
<b>Overflow</b>	Yes
<b>Tap Holes</b>	ø35mm (Part Drilled)
<b>Remote Waste</b>	Yes
<b>Finish</b>	Fragranite



ACCESSORIES AVAILABLE

ACCESSORIES INCLUDED

BARE SINK OPTION AND SOME SINK & TAP PACKAGES DO NOT INCLUDE ACCESSORIES.  
PLEASE CHAT TO YOUR SALES CONSULTANT FOR FURTHER INFORMATION.

## ACCESSORIES



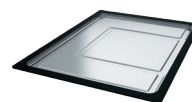
**CB 750**  
Chopping Board



**DB 784**  
Drainer Basket



**RM 44**  
Rollamat



**DT 360**  
Extension Drainer

LAST UPDATED: 7 DEC 2020