

## Axus Pin Basin Mixer

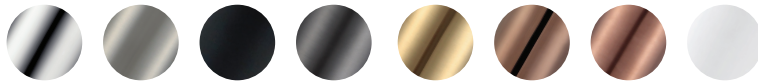
AX01310

**WELS:** 5 star

**Litre/min:** 5L

**WELS License / Reg No:** 1483 / T25995

### Finishes available:



Chrome    Brushed Nickel<sup>^</sup> (.SN)    Matte Black (.MB)    Brushed Gun Metal<sup>^</sup> (.GM)    Brushed Brass<sup>^</sup> (.BB)    Rose Gold<sup>^</sup> (.RG)    Brushed Rose Gold<sup>^</sup> (.RGI)    White (.W)

<sup>^</sup> PVD finish



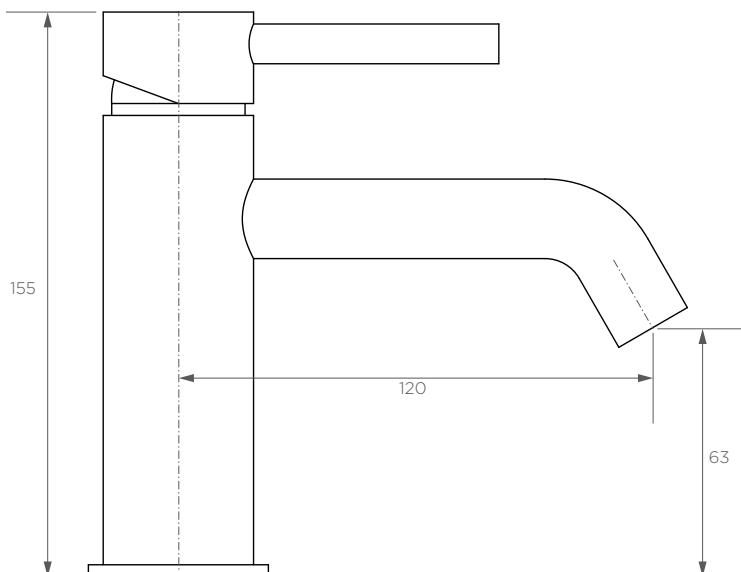
### INFORMATION

Pressure Rating  
150 - 500kPa

Hot and cold water inlet pressures should be equal.

### CARE AND MAINTENANCE

- All surfaces should be frequent cleaned with a mixture of mild, pH neutral soap and warm water with a soft cloth
- Do not use abrasive clothes, scouring pads on surfaces
- Do not use harsh cleaning agents i.e. cream cleaners or citrus based cleaners (*see cleaning leaflet for comprehensive list*)



**WARRANTY**  
15 years

\*Conditions apply.