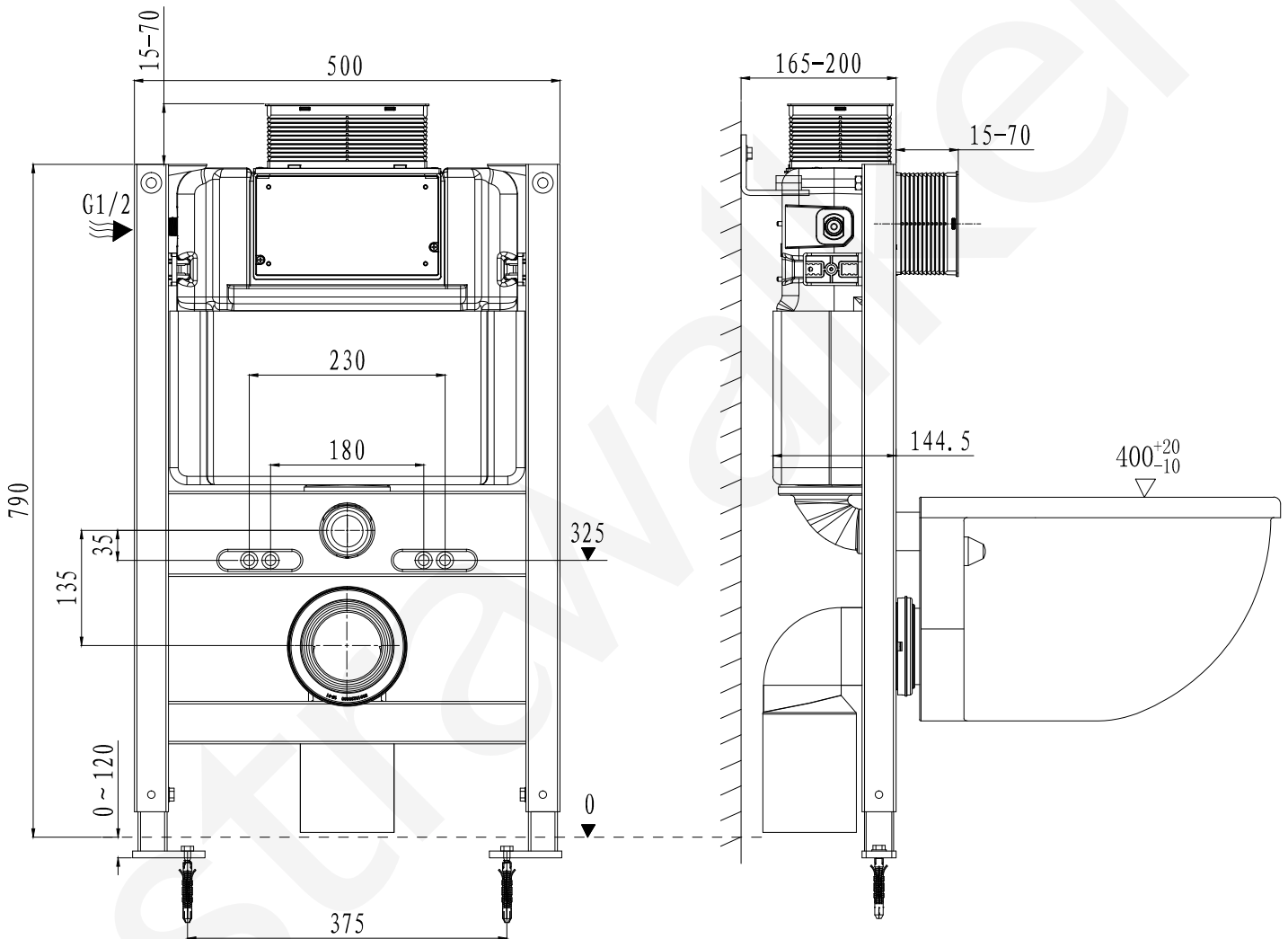


# A99.41

## IN-WALL CISTERN

aw™



**NOTE :** There should be no gap between the wall & cistern frame.  
The wall should be made of noncompressible materials

astrawalker™