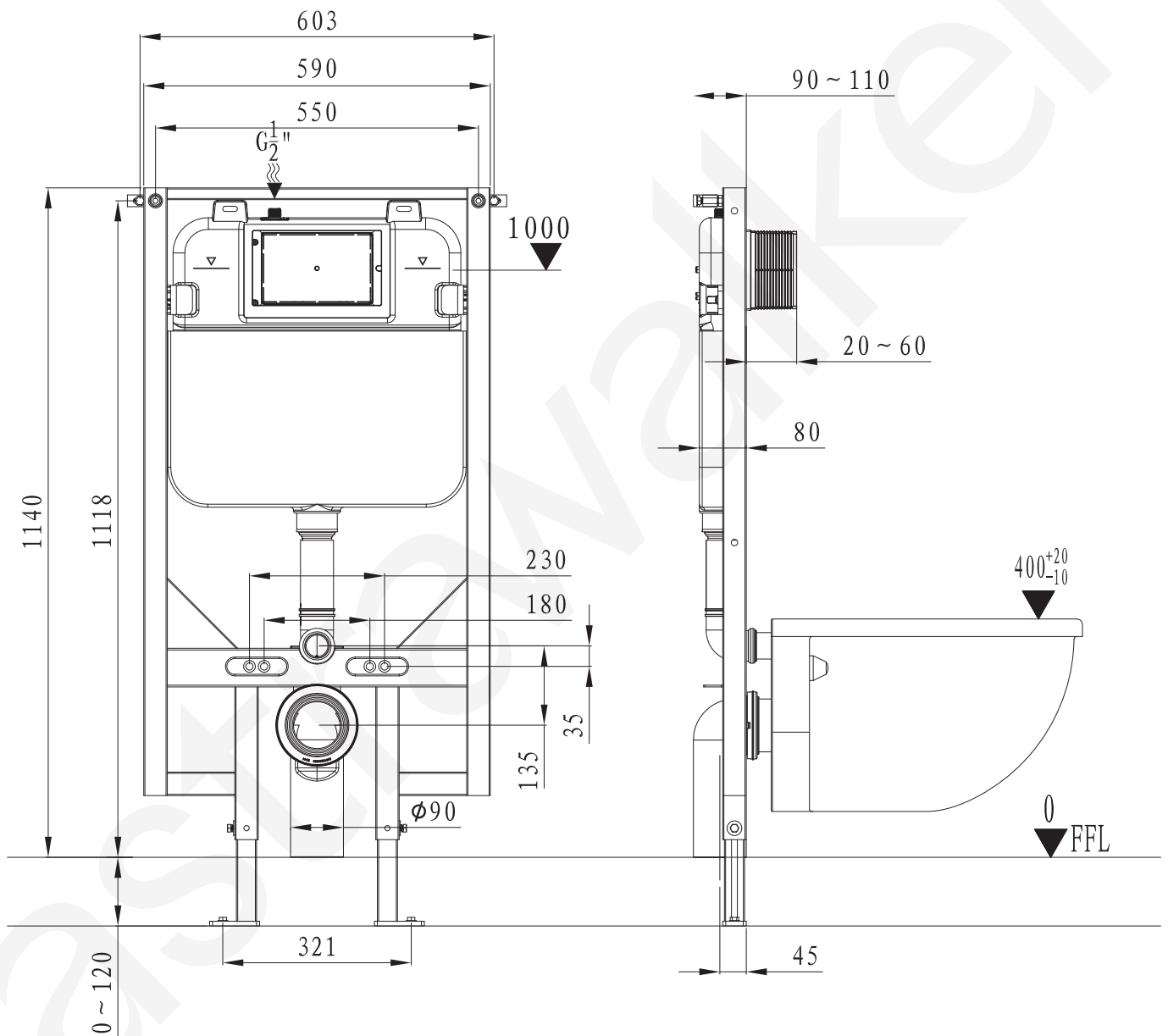


A99.40

IN-WALL CISTERN



NOTE : There should be no gap between the wall & cistern frame.
The wall should be made of noncompressible materials

astrawalker™