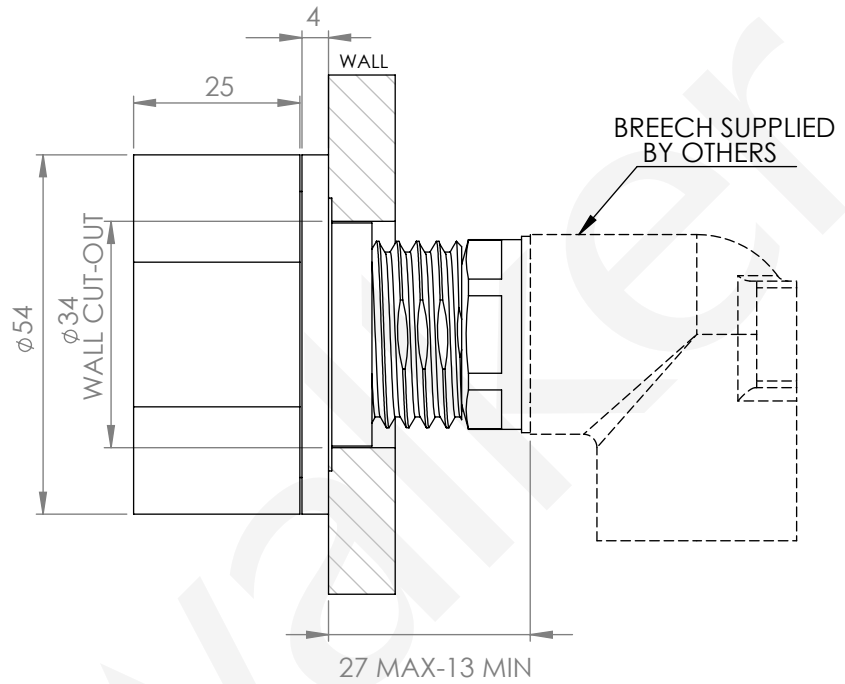
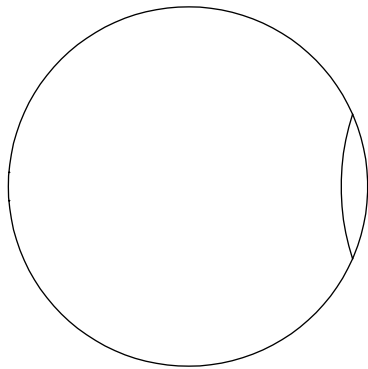
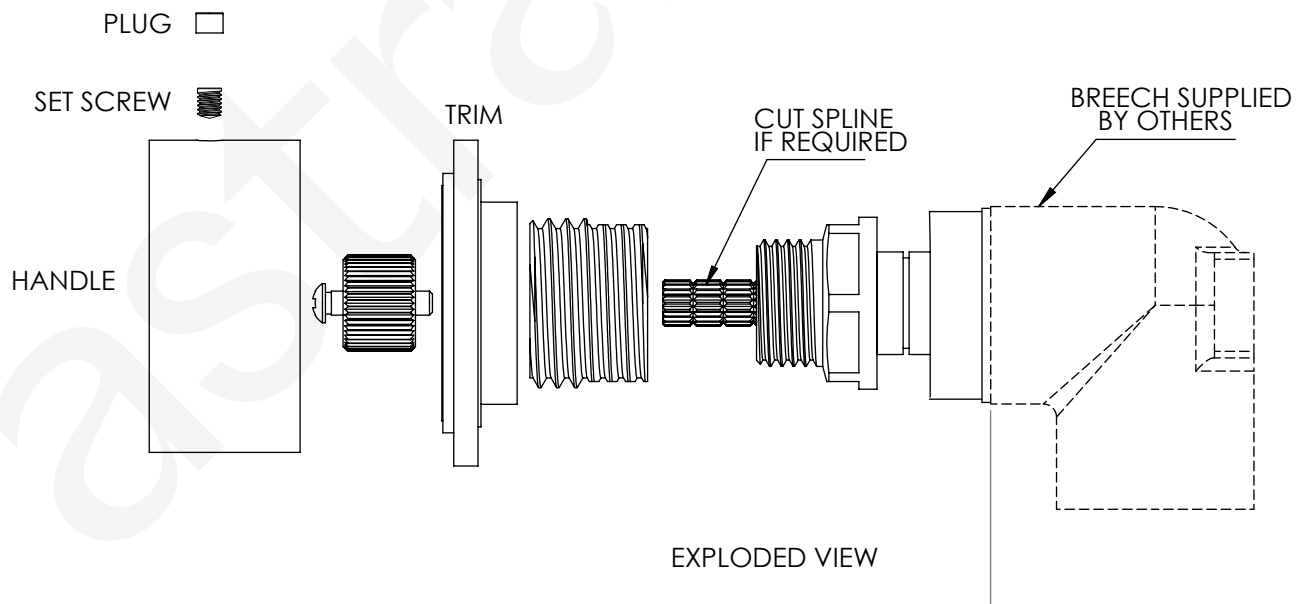


# ASSEMBLE

A81.49



IMPORTANT : Front face of inwall body to finished wall face must be minimum 13mm to maximum 27mm



astrawalker™