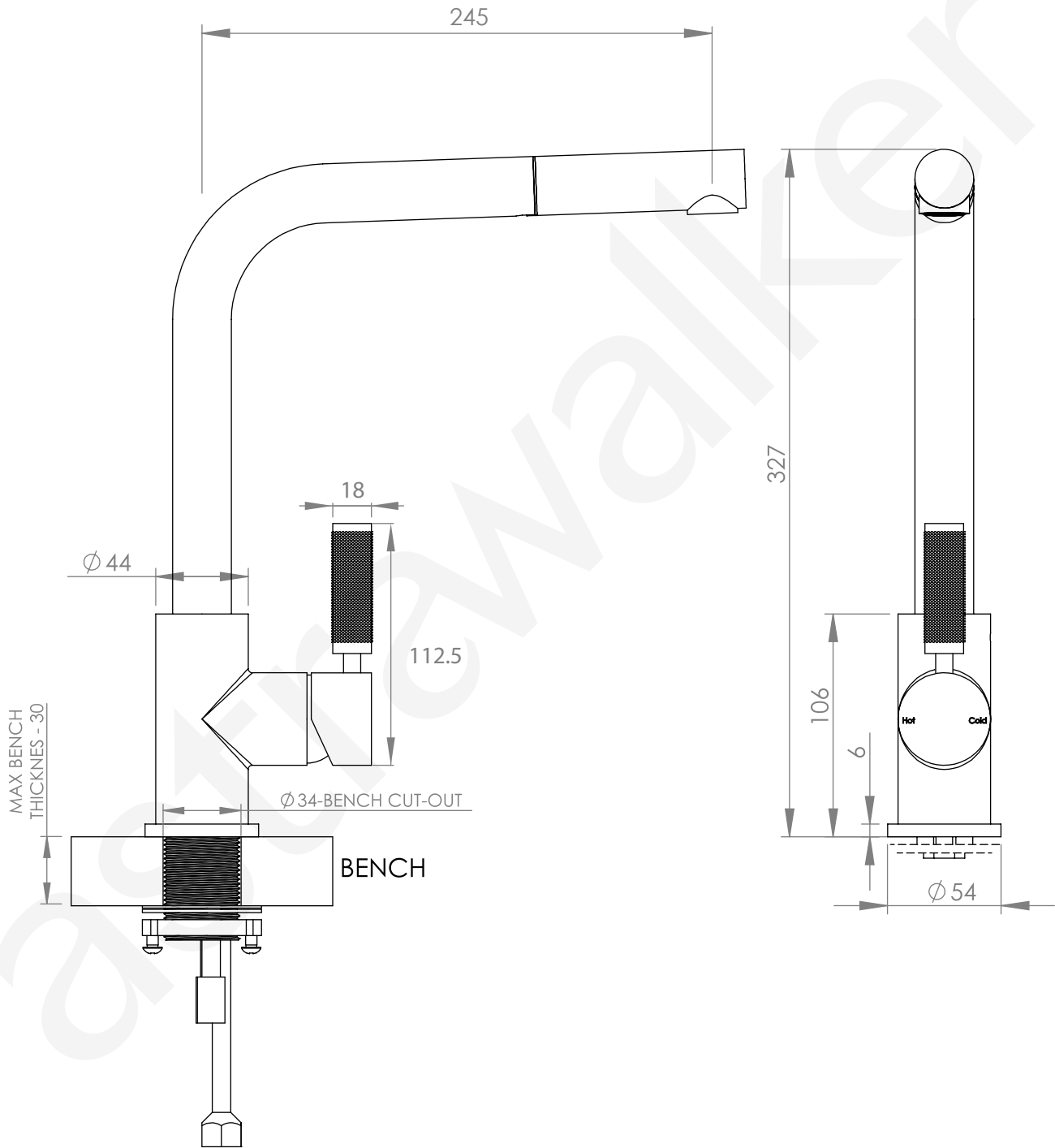


A68.08.V9.KN

KITCHEN MIXER WITH PULL-OUT SPRAY

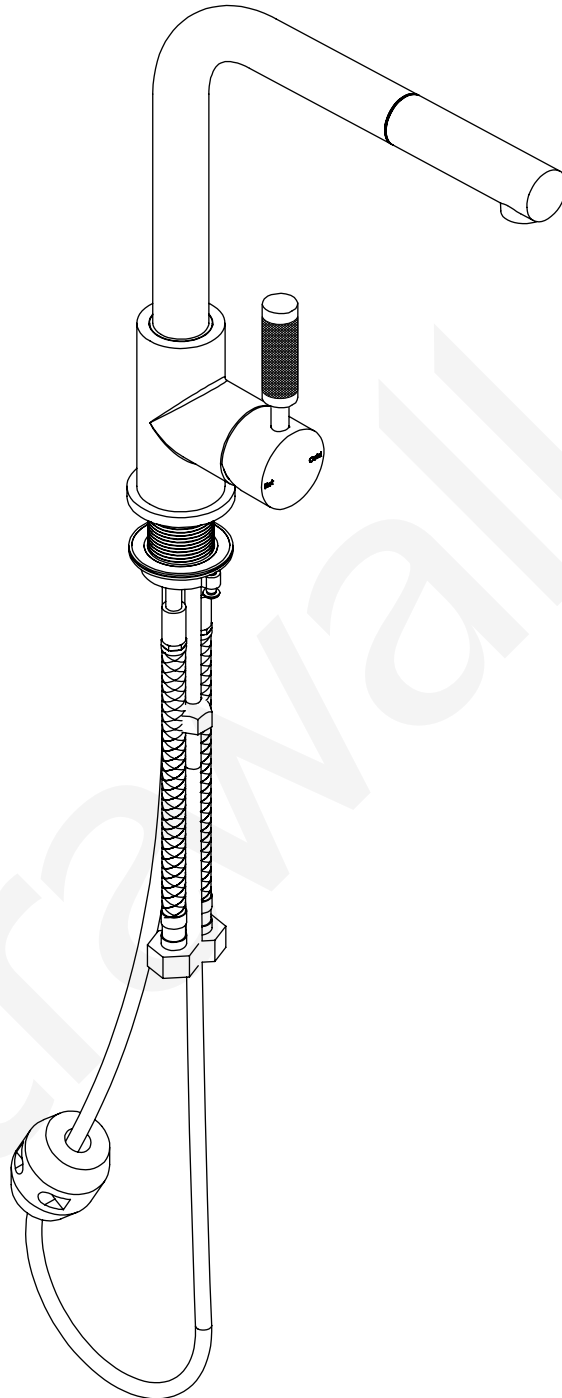
6 STAR/3.5Lpm WELS RATING



A68.08.V9.KN

KITCHEN MIXER WITH PULL-OUT SPRAY

6 STAR/3.5lpm WELS RATING

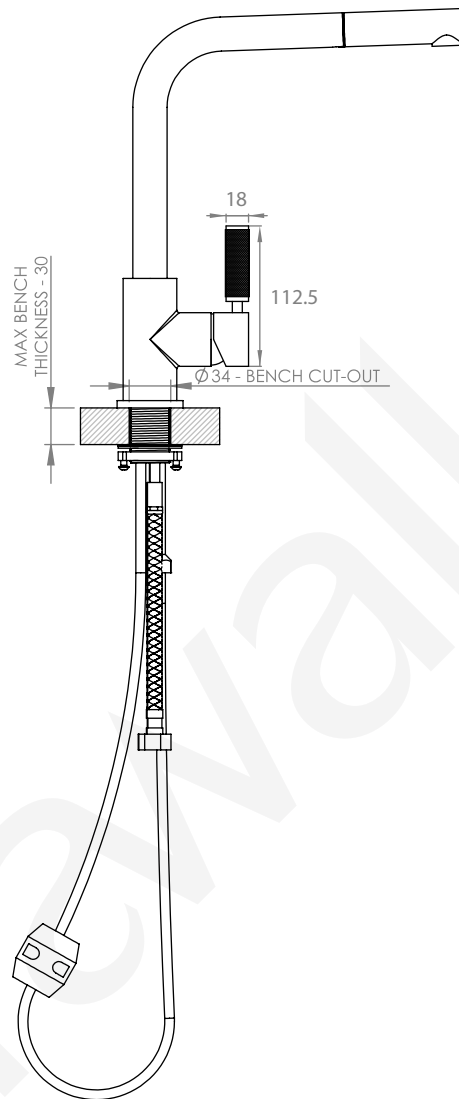


ASSEMBLY VIEW

A68.08.V9.KN

KITCHEN MIXER WITH PULL-OUT SPRAY

6 STAR/3.5Lpm WELS RATING



1. Water inlet temperature not to exceed 75 degrees C & water pressure not to exceed 800kpa. Working pressure of 500kpa recommended
2. This tap is suitable for high pressure applications where both hot & cold water supply pressures are at 150kpa or above
3. Flush out pipe work prior to connecting the new mixer
4. Place the tap body & dress ring into the sink hole making sure first that the flexible connectors are firmly tightened into base of the body
5. Fit washer and brass spacer onto threaded assembly
6. Connect the flexible pull-out hose by tightening the adapting nipple making sure first to insert the rubber seal
7. Connect the hot & cold water supplies to isolating stop cocks. Fit counter weight to flexible pull out hose so that handpiece fully retracts into the tap body. Ensure there is no obstruction to the counter-weight
8. Test for leaks as per AS/NZ 3500