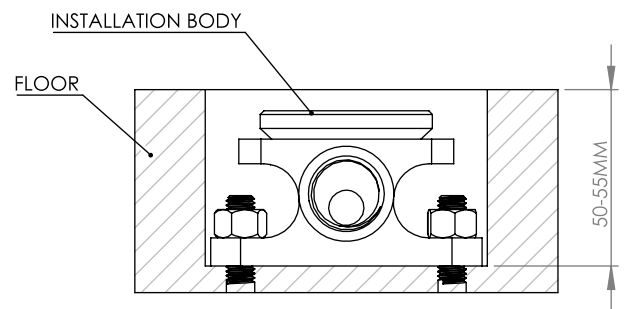
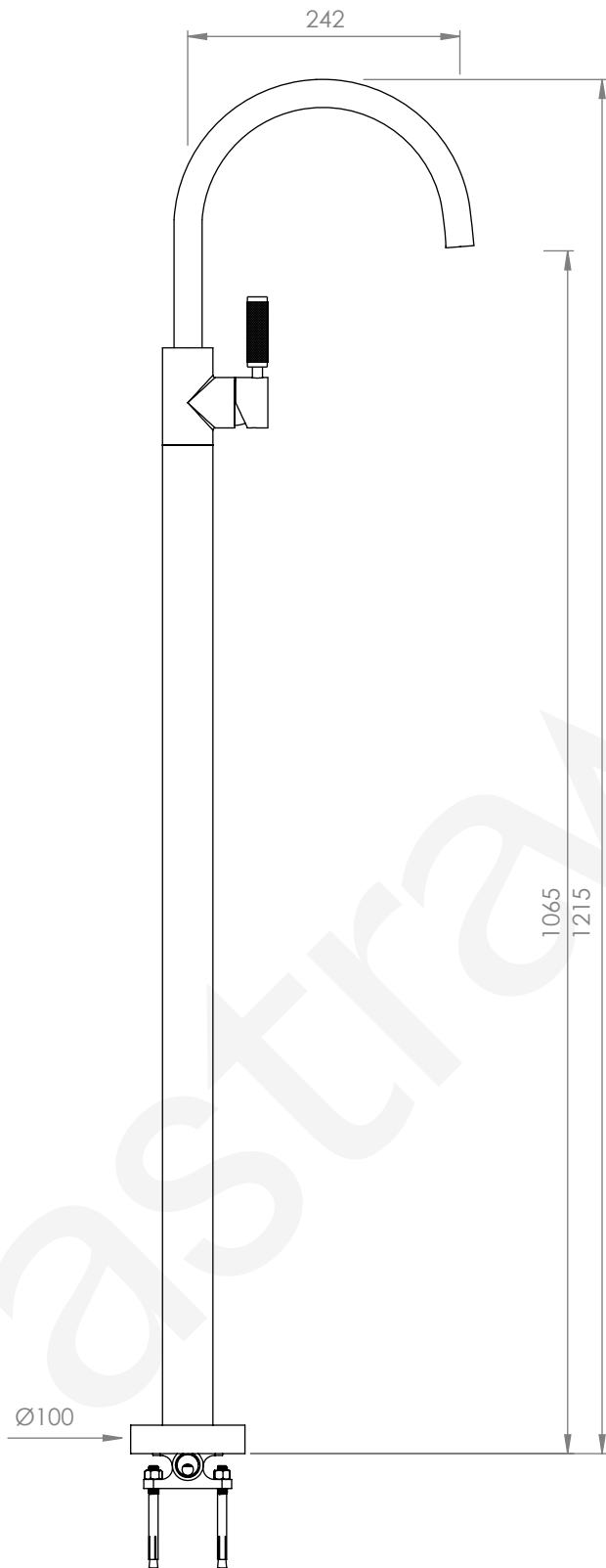


A68.08.V6.KN

BASIN MIXER FLOOR MOUNTED

5 STAR/6Lpm WELS RATING



NB : ENSURE BODY IS INSTALLED AT CORRECT DEPTH 50 - 55MM BELOW FINISHED FLOOR