

16cm WALL HUNG CISTERN

TECE

close to you

Code - 9.300.355

Suitable for use:
When installing in front of a solid wall

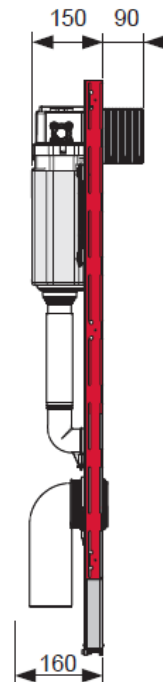
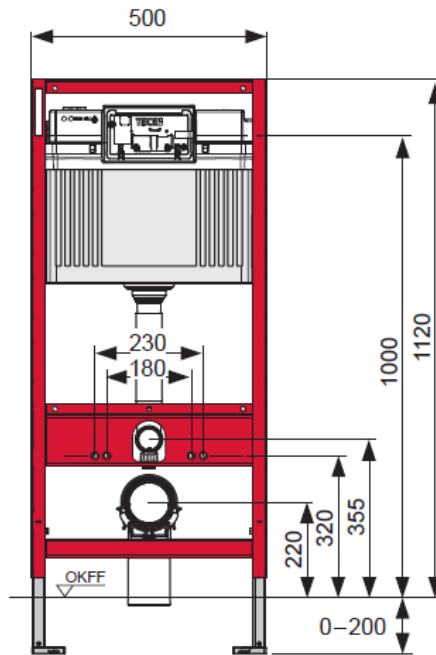
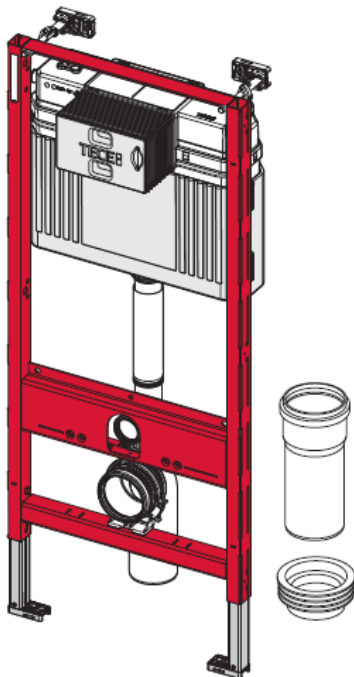
Front Button Mounting

Sheeting Requirements (Prior to tiling):
Standard Buttons - 18mm non flex board
Flush Mount Buttons - 25mm non flex board

Note: Square Metal Buttons require **30mm**
overall thickness including sheeting & tiling

Water Inlet top left side

2 Year Parts and Labour Warranty on
Internals
10 Year Warranty on Cistern Construction



Proudly imported and distributed by
Gro Agencies Pty Ltd
Unit 2 / 37 Howe St, Osborne Park, WA, 6017
P 08 9446 3288 E info@groagencies.com.au W www.groagencies.com.au

gro
agencies