

STANDARD FLOOR MOUNT CISTERN (9.041.021)

TECE

close to you

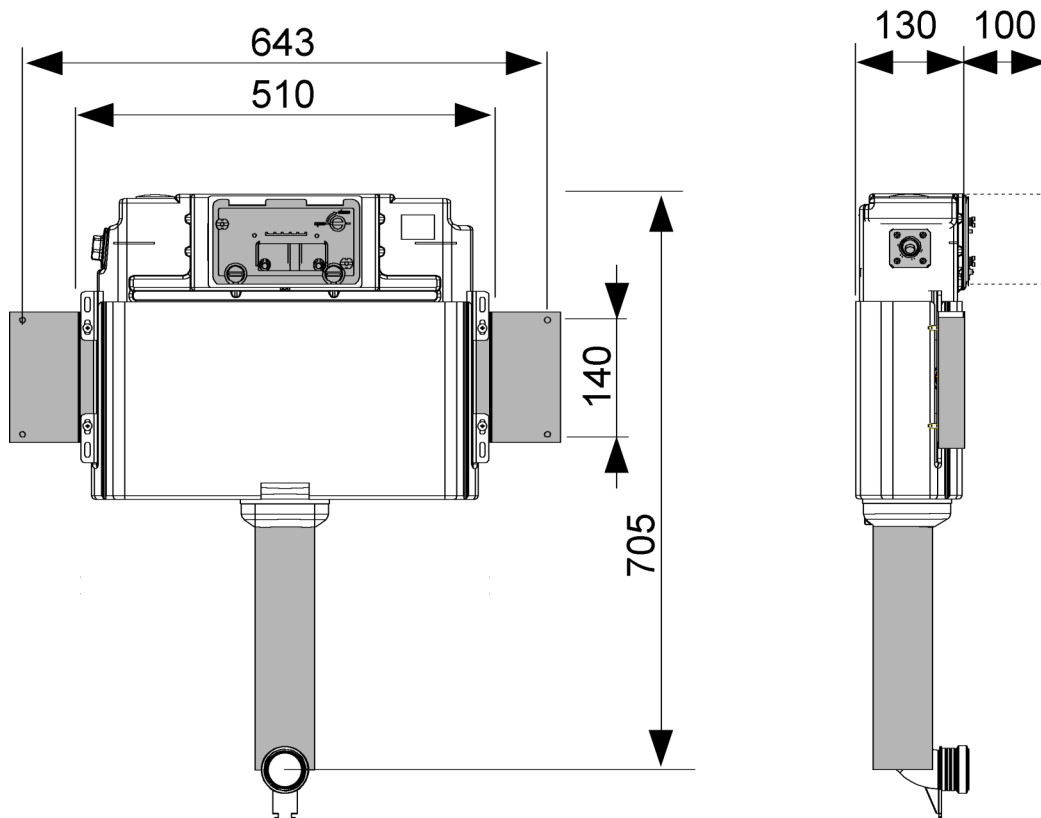
Suitable for use:
When installed in front of a solid wall

Sheeting Requirements (Prior to tiling):
Standard Mount - 18mm non flex board
Flush Mount - 25mm non flex board

Note: Square Metal Buttons require 30mm overall thickness including sheeting & tiling



Water Inlet top left side
Power Inlet top left



Proudly imported and distributed by
Gro Agencies Pty Ltd
Unit 2 / 37 Howe St, Osborne Park, WA, 6017
P 08 9446 3288 E info@groagencies.com.au W www.groagencies.com.au

