






Model Code: Q200

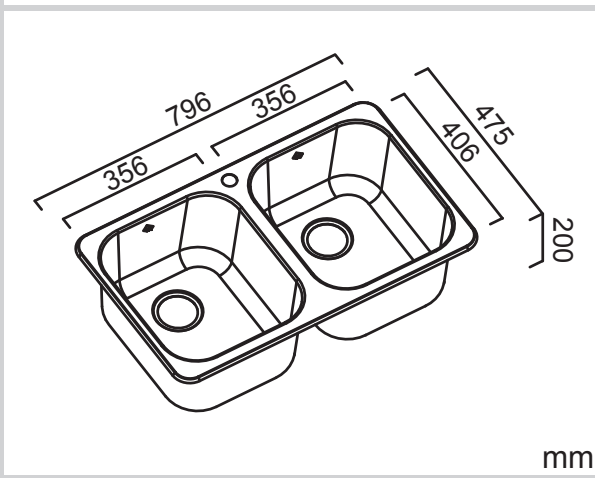
### Included Accessories

 Inset Clip	 6020	 AQCB
 ADT1		

### Optional Accessories

 DBR10S	 CBB475	 DR006

### Dimensions



### Specifications

Description	Double bowls, inset sink
Overall Sink Size	796mm x 475mm x 200mm deep
Bowl Dimensions	356mm x 406mm x 200mm deep 356mm x 406mm x 200mm deep
Drainer Length	N/A
Technic	Press
Material	Stainless steel SUS304

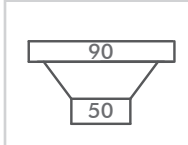
### Installation

Fixings	Inset clips supplied
Template	Supplied
Min Cabinet Size	782mm
Waste Holes	2 x 90mm round Compatible with waste disposal

#### SURFACE FINISH



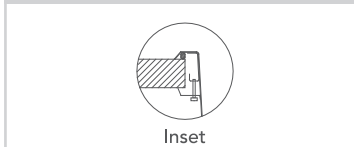
#### WASTE KIT



#### MATERIAL



#### INSTALLATION OPTIONS



#### PROFILE

### Plumbing

Waste Fittings	1 x (90mm x 2") basket wastes included
Overflow	Available, conditions apply

### Packaging

Carton Type	EPS protection & individual carton
Gross Weight	11.92Kg
Carton Size	900mm x 530mm x 275mm
Pack QTY	1