

## YOKATO WALL SET WITH KNURLED LEVER

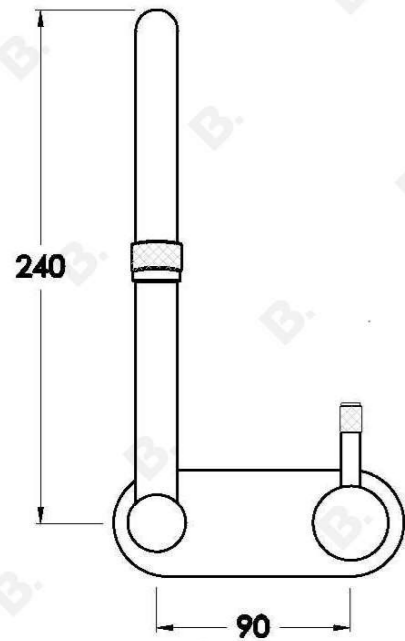
1.9328.05.7.XX

1.9328.55.7.XX: Flow controlled variant

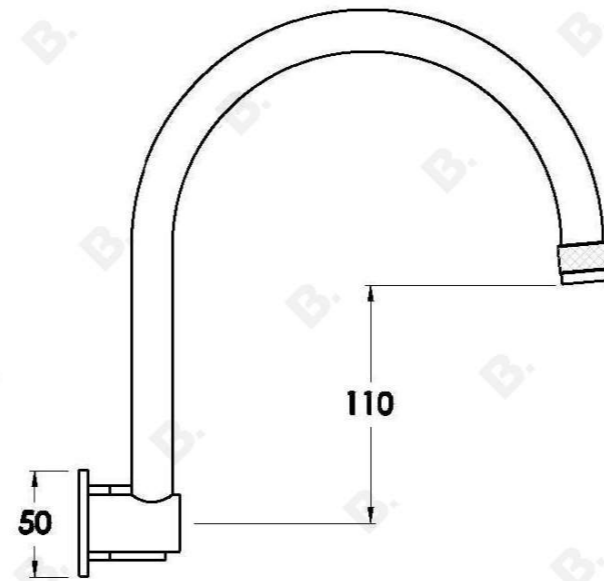


### PRODUCT DIMENSIONS:

Front view:



Side view:



Top view:

