

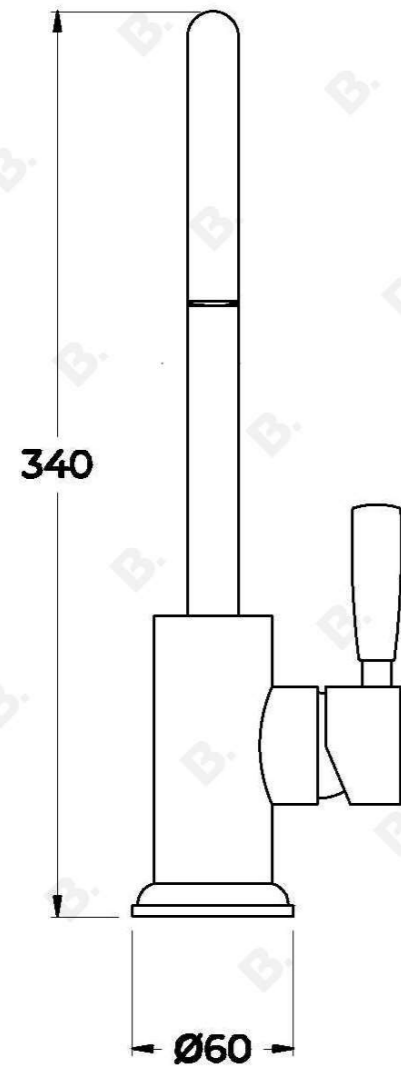
## MANHATTAN KITCHEN MIXER

1.9108.00.0.XX

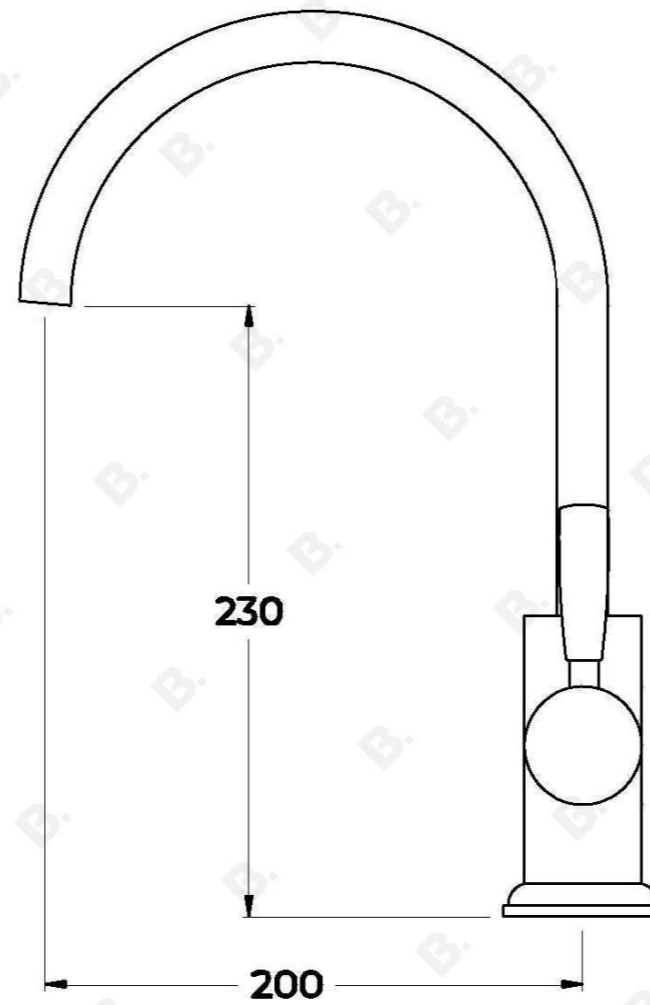


### PRODUCT DIMENSIONS:

Front view:



Side view:



Top view:

