

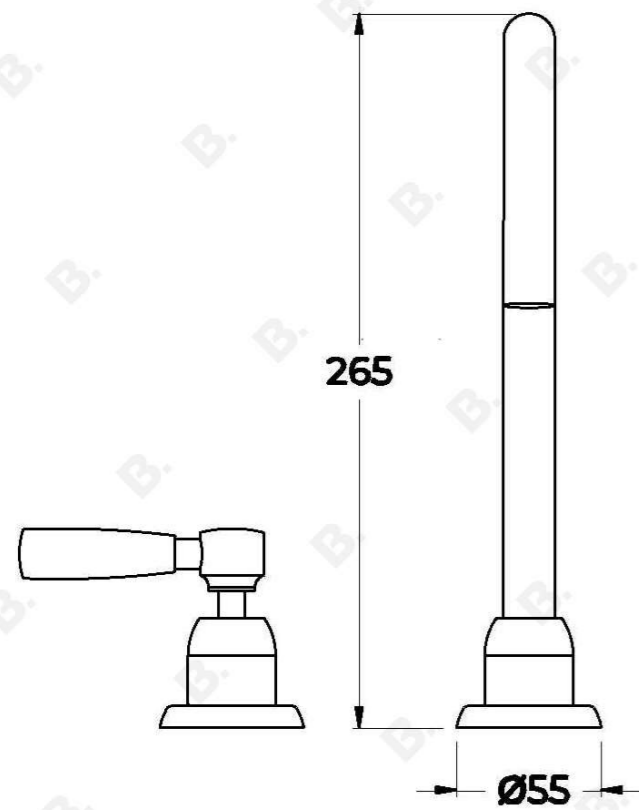
## MANHATTAN KITCHEN SET

1.9107.09.3.XX

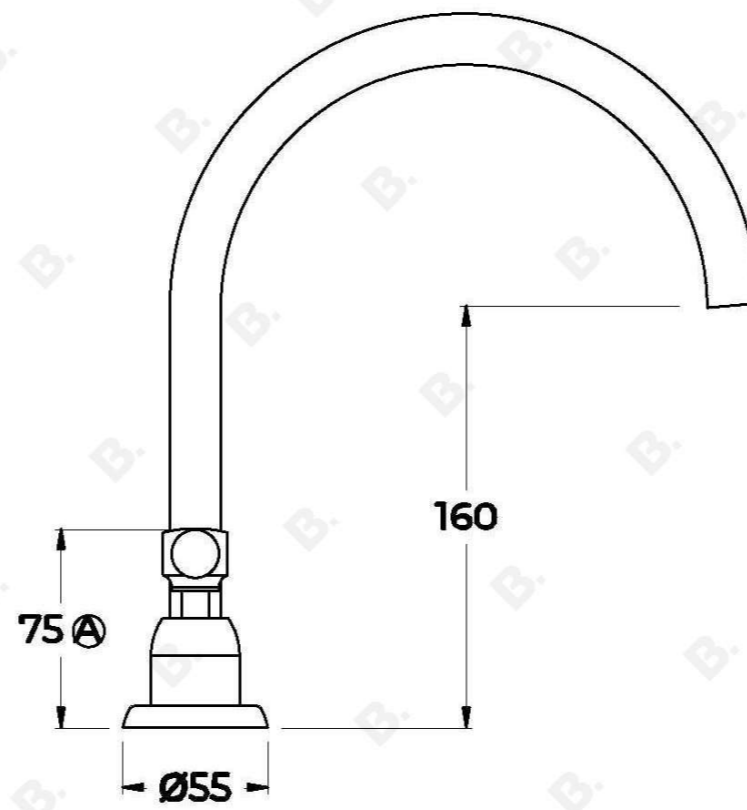


### PRODUCT DIMENSIONS:

Front view:



Side view:



Top view:

