

MANHATTAN WALL MIXER SET

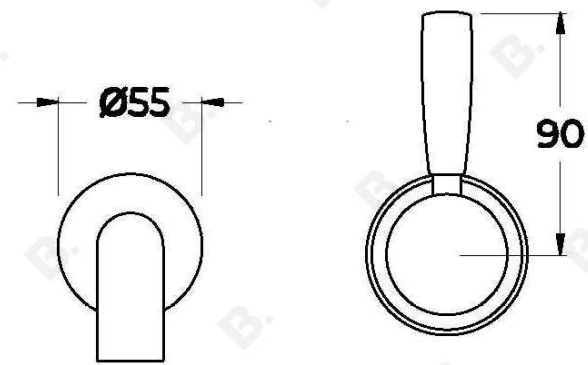
1.9105.04.3,XX

1.9105.54.3.XX: FLOW CONTROLLED VARIANT

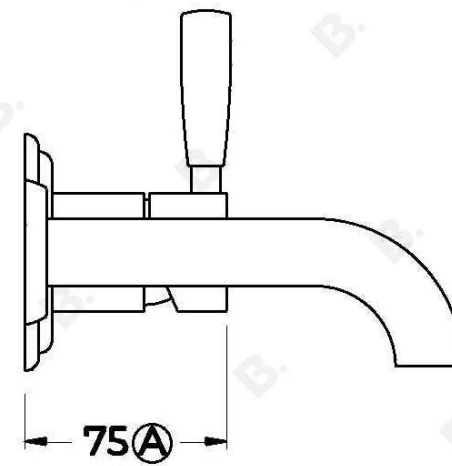


PRODUCT DIMENSIONS:

Front view:



Side view:



Top view:

