

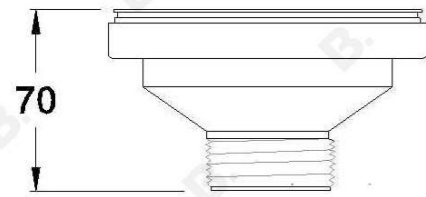
WASTE & TRAPS SINK WASTE

1.7012.00.0.XX

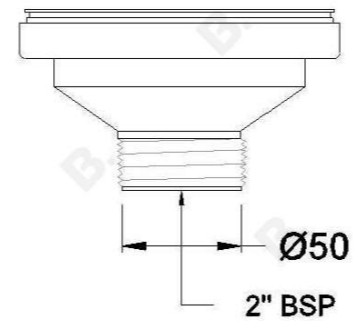


PRODUCT DIMENSIONS:

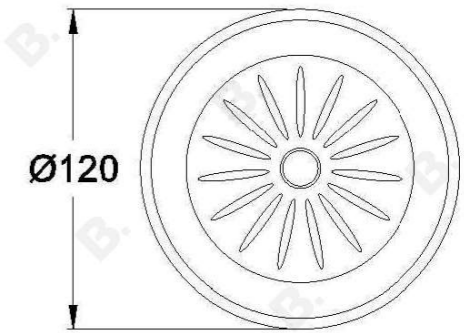
Front view:



Side view:



Top view:



Note: 90mm hole required in the basin