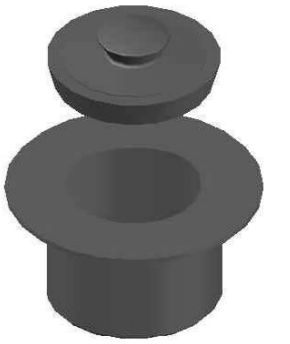


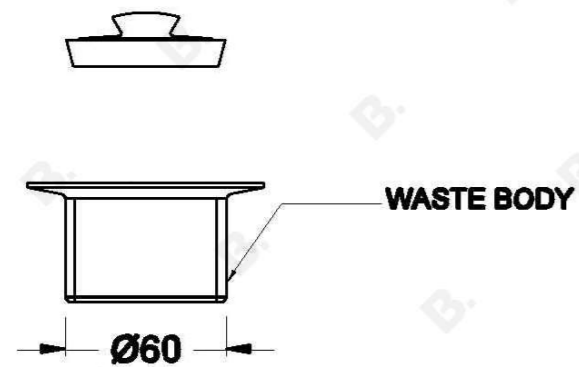
WASTE & TRAPS PLUG & WASTE 50MM

1.7010.00.0.XX

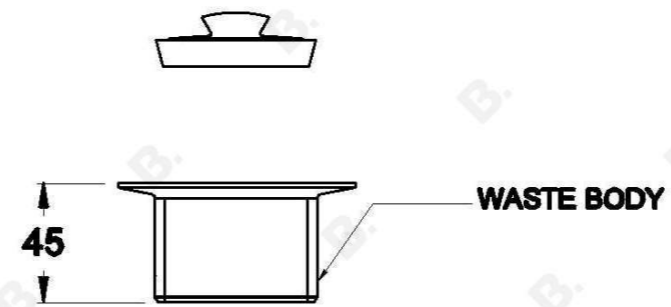


PRODUCT DIMENSIONS:

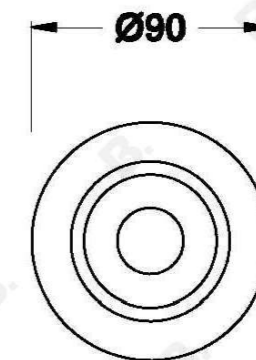
Front view:



Side view:



Top view:



Note: $\text{Ø}60$ - 68mm hole required in the bath