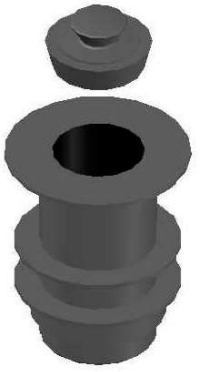


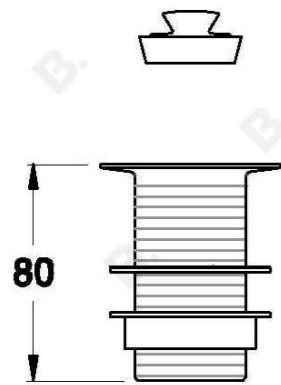
WASTE & TRAPS PLUG & WASTE 32MM

1.7001.00.0.XX

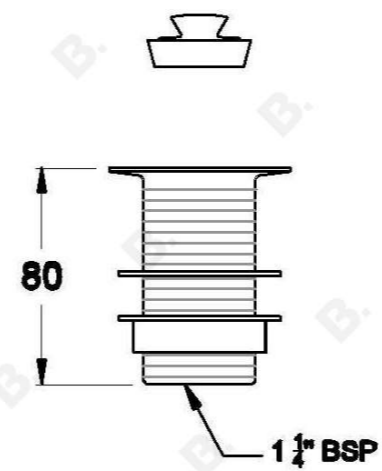


PRODUCT DIMENSIONS:

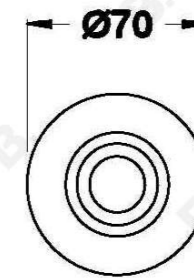
Front view:



Side view:



Top view:



Note: Ø45 - 55mm hole required in the basin