

INDUSTRICA WAL SET WITH METAL LEVER

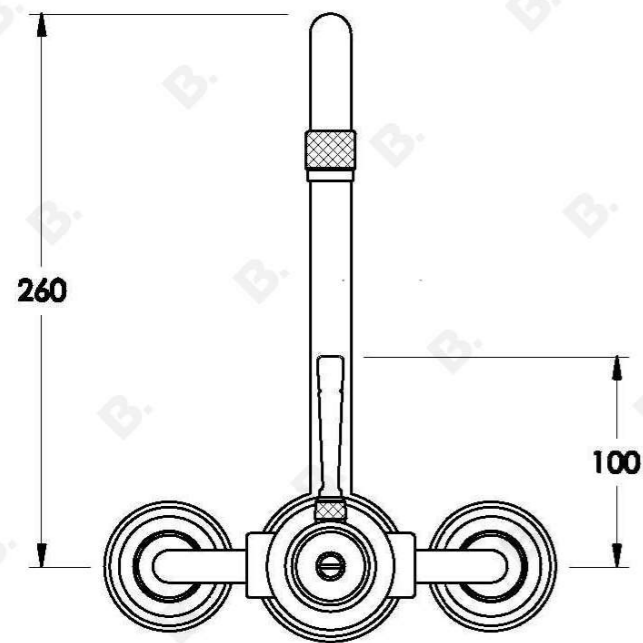
1.6728.80.0.XX

1.6728.58.0.XX: Flow controlled variant

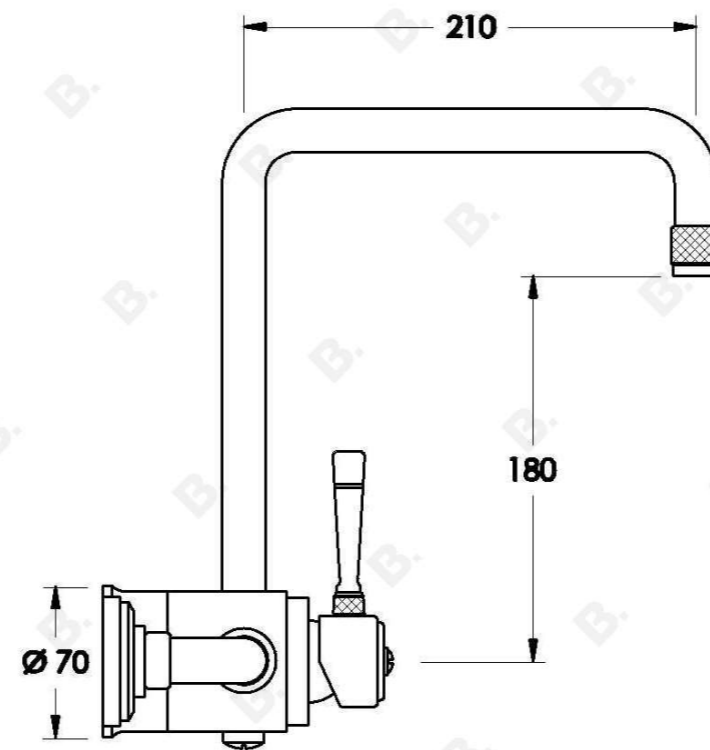


PRODUCT DIMENSIONS:

Front view:



Side view:



Top view:

