

## INDUSTRICA WAL SET WITH METAL LEVER

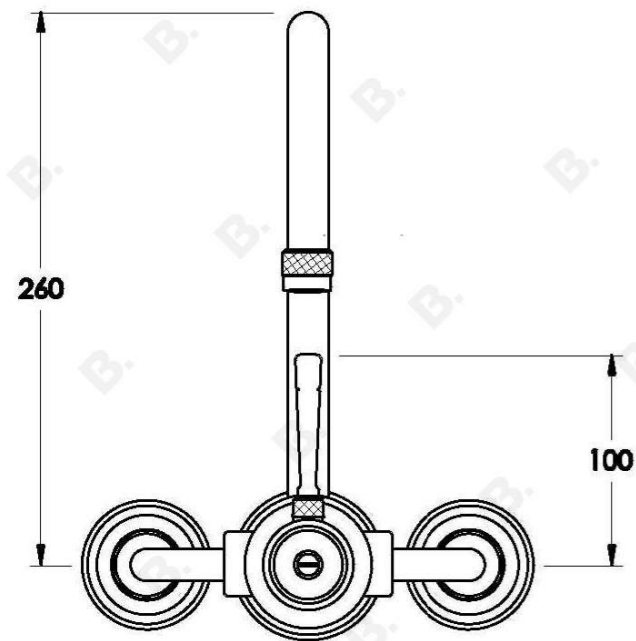
1.6728.00.0.XX

1.6728.50.0.XX: Flow controlled variant

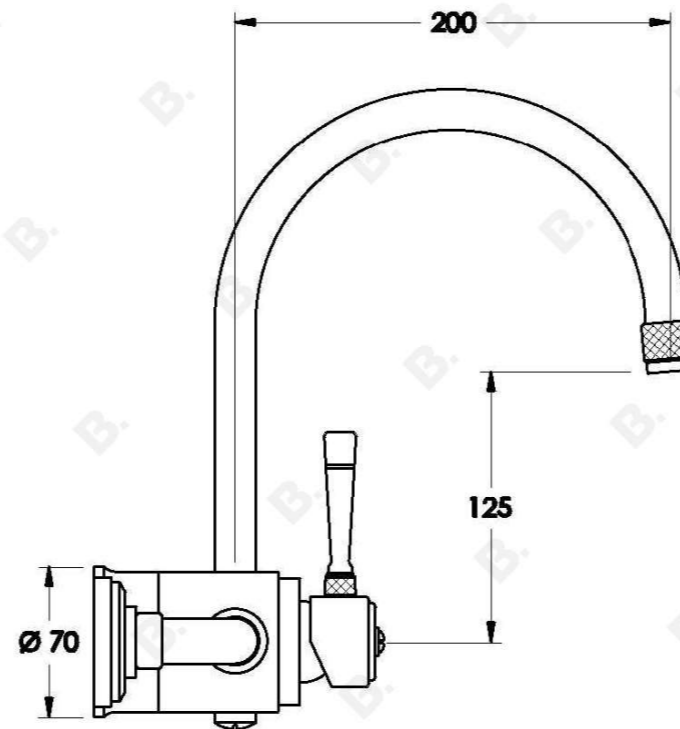


### PRODUCT DIMENSIONS:

Front view:



Side view:



Top view:

