

roqprint next

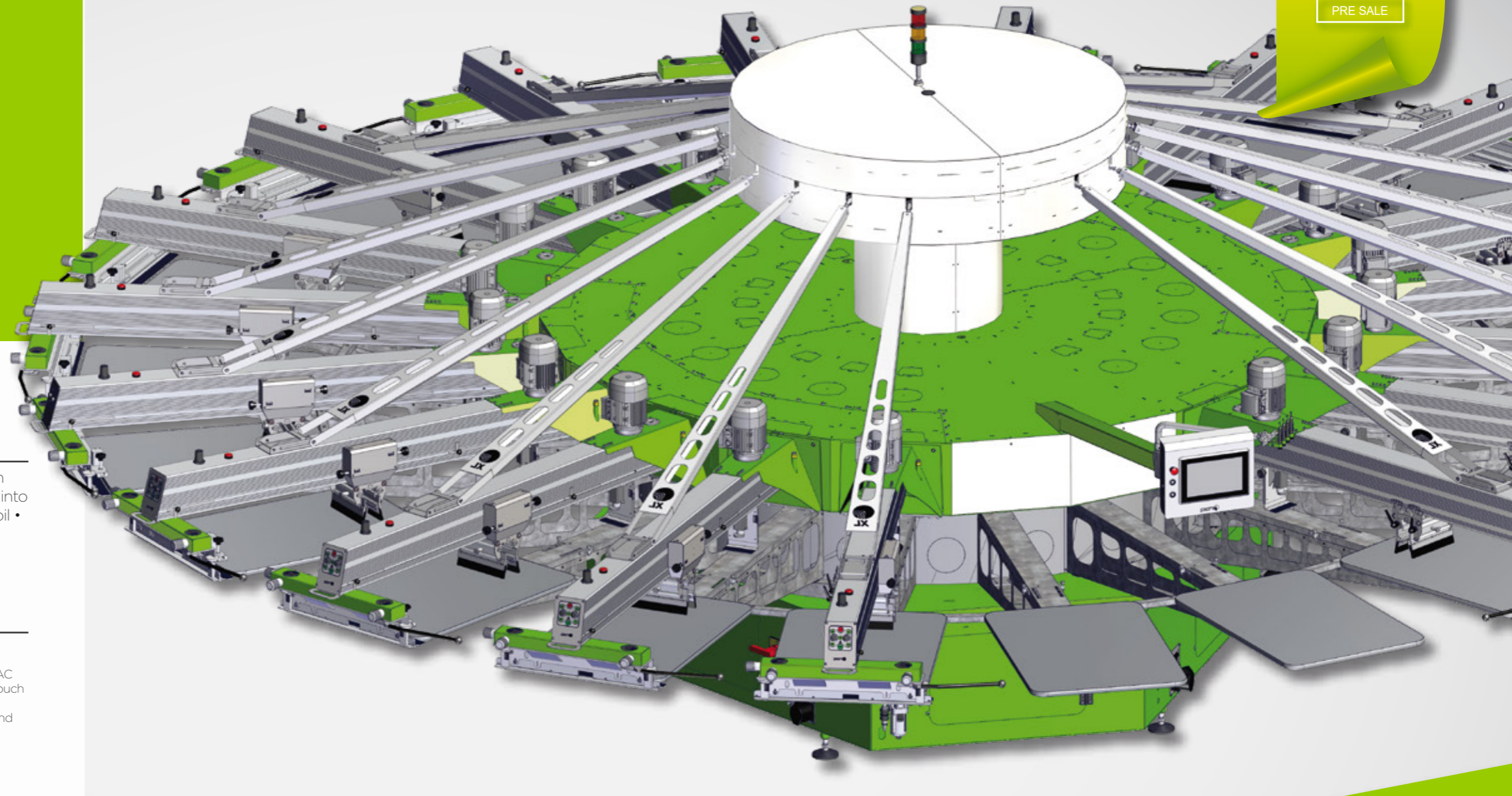
prints **XL models**
 max. production up to **1200* pieces/h**
 max. printing size** up to **850x1000mm**
head's individual lifting system
servo AC driven rotation system

* for an A4 print
 ** double index

The newest screen printing machine, ROQprint NEXT, was built with unique features which only exist in high-range ROQprint machines. Its characteristics are responsible for a **20% increased productivity**.

**NEW
ARRIVAL**

PRE SALE



OPTIONS

number of colors • number of laser markers • number of flash cure units • power and control connections for flash are built into the machine base • compatible with roqflock and roqpress foil • skip function • double index

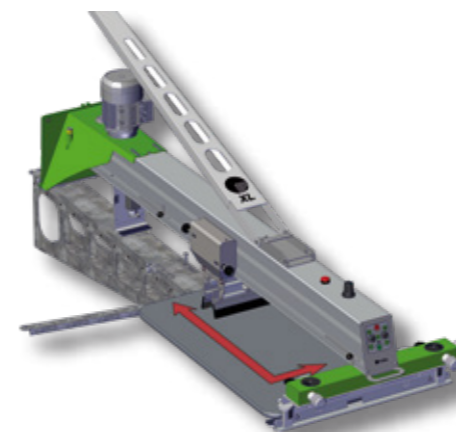
GENERAL FEATURES

Aluminum honeycomb pallets • Squeegees with electric movement with AC inverter • Independent control panel on all print heads • Choice of pneumatic screen holder: "U" clamp or pin system • Print heads independent elevation • AC servo-motor rotation system • Central control panel with polychromatic LCD touch screen (10") • Micro registration screen system with vernier scale • Individual controls for managing print and flood speed, height, angle of the squeegees and stroke length • Placement of the Flash Cure units under the print head

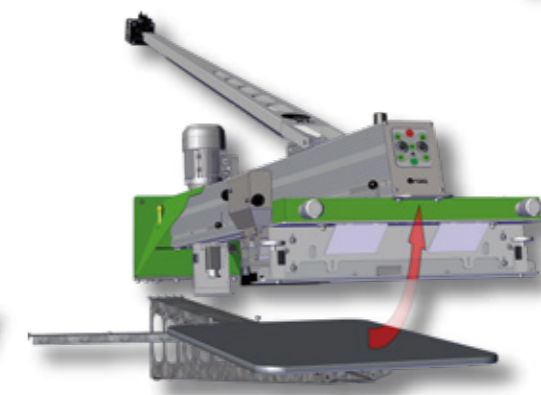
ROQPRINT NEXT	P08 XL	P10 XL	P12 XL	P14 XL	P16 XL	P18 XL	P20 XL
number of colors (max.)	6	8	10	12	14	16	18
number of pallets	8	10	12	14	16	18	20
nr of flash cure connection units (optional)	3	4	5	6	7	8	9
maximum print size (mm/inch)	500 x 700 / 20" x 28"		500 x 700 / 20" x 28" 850 x 1000 / 33" x 39" *				
maximum screen size (mm/inch)	660 x 1050 / 26" x 41.3"		660 x 1050 / 26" x 41.3" 1010 x 1300 / 39" x 51" *				
maximum pallet size (mm/inch)	550 x 950 / 21" x 37"		550 x 950 / 21" x 37" 900 x 1240 / 35" x 48" *				
maximum frame profile / thickness (mm/inch)	50 x 50 / 2" x 2"						
index precision (mm/inch)	+/-0.025 / 0.001"						
maximum production (pieces/h) **	1200						
compr. air consumption (l/min. 7 bar) ***	40 l/min - 0.7 cfm + number of each printhead						
maximum consumption (kVA) ****	2	3	4	5	7	8	9
machine diameter (mm/feet)	4100 / 13.5'	4550 / 15'	5150 / 17.1'	5400 / 17.7'	5850 / 19.2'	6300 / 20.6'	6900 / 22.6'
total height (mm/feet)	2370 / 7.7'	2370 / 7.7'	2370 / 7.7'	2440 / 8'	2510 / 8.2'	2540 / 8.3'	2540 / 8.3'
minimum width of the base (mm/feet)	2100 / 6.9'	2100 / 6.9'	2100 / 6.9'	2165 / 7.1'	2235 / 7.3'	2265 / 7.4'	2265 / 7.4'

* double index in XL models. ** one squeegee with flooding for a A4 print. *** consumption of each electric printhead: 90l/min | 3.15cfm in 20 pieces/min. **** these values exclude the consumption with flash-curing, they should be calculated separately, taking into account the number and model of the flash cure on the machine. - power supply: 220V, 3x220V, 3x400V - 50Hz or 60Hz

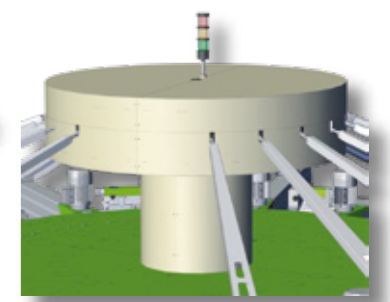
HIGHLIGHTS



Max. printing area 850x1000mm
(double index)



Head's individual lifting system



servo AC driven rotation system

20% MORE PRODUCTIVE
 COMPARING WITH ROQPRINT YOU