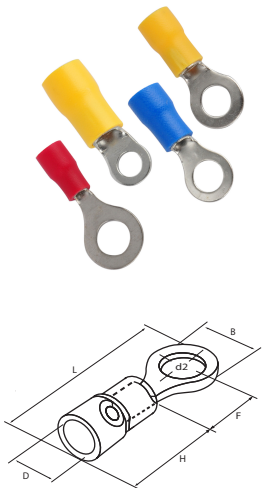


Insulated Ring Terminals

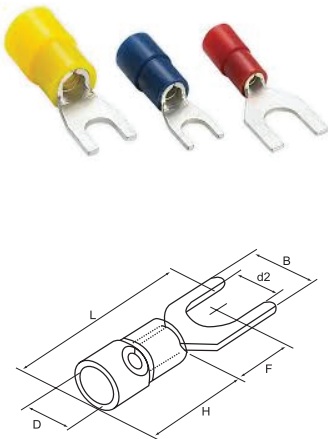
Material
Insulation: PVC
Terminal Body: Copper
Plating: Tin



Order No.	Stud Size	Dimension (mm)						Wire Range		Colour
		d2	B	L	F	H	D	AWG	mm2	
300-154	M4	4.3	6.6	20.1	6.3	10.0	4.3	22-16	0.5-1.5	Red
300-155	M5	5.3	8.0	21.5	7.0	10.0	4.3	22-16	0.5-1.5	Red
300-156	M6	6.4	9.8	23.0	8.5	10.0	4.3	22-16	0.5-1.5	Red
300-254	M4	4.3	6.6	21.0	7.0	10.0	4.9	16-14	1.5-2.5	Blue
300-255	M5	5.3	8.5	22.5	7.8	10.0	4.9	16-14	1.5-2.5	Blue
300-256	M6	6.4	12.0	27.6	11.0	10.0	4.9	16-14	1.5-2.5	Blue
300-2510	M10	10.5	13.0	30.2	13.9	10.0	4.9	16-14	1.5-2.5	Blue
300-604	M4	4.3	7.2	21.4	5.9	13.0	6.7	12-10	4-6	Yellow
300-605	M5	5.3	9.5	25.5	8.3	13.0	6.7	12-10	4-6	Yellow
300-606	M6	6.4	12.0	31.5	13.0	13.0	6.7	12-10	4-6	Yellow
300-608	M8	8.4	15.0	33.7	13.7	13.0	6.7	12-10	4-6	Yellow
300-6010	M10	10.5	15.0	33.7	13.7	13.0	6.7	12-10	4-6	Yellow
300-6012	M12	13.0	19.2	38.1	16.0	13.0	6.7	12-10	4-6	Yellow

Insulated Spade Terminals

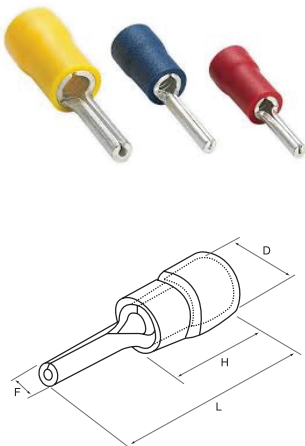
Material
Insulation: P.P.
Terminal Body: Copper
Plating: Tin



Order No.	Stud Size	Dimension (mm)						Wire Range		Colour
		d2	B	L	F	H	D	AWG	mm2	
302-154	M4	4.3	6.4	21.2	6.5	10.0	4.3	22-16	0.5-1.5	Red
302-155	M5	5.3	8.1	21.2	6.5	10.0	4.3	22-16	0.5-1.5	Red
302-156	M6	6.4	9.5	21.2	6.5	10.0	4.3	22-16	0.5-1.5	Red
302-158	M8	8.4	14.0	29.0	12.5	10.0	4.3	22-16	0.5-1.5	Red
302-254	M4	4.3	6.4	21.2	6.5	10.0	4.9	16-14	1.5-2.5	Blue
302-255	M5	5.3	8.1	21.2	6.5	10.0	4.9	16-14	1.5-2.5	Blue
302-256	M6	6.4	9.5	21.2	6.5	10.0	4.9	16-14	1.5-2.5	Blue
302-258	M8	8.4	14.0	29.0	12.5	10.0	4.9	16-14	1.5-2.5	Blue
302-604	M4	4.3	8.3	25.2	7.5	13.0	6.7	12-10	4-6	Yellow
302-605	M5	5.3	9.0	25.2	7.5	13.0	6.7	12-10	4-6	Yellow
302-606	M6	6.4	9.0	25.2	7.5	13.0	6.7	12-10	4-6	Yellow
302-608	M8	8.4	14.0	30.0	11.5	13.0	6.7	12-10	4-6	Yellow
302-6010	M10	10.5	15.0	33.7	13.7	13.0	6.7	12-10	4-6	Yellow

Insulated Pin Terminals

Material
Insulation: P.P.
Terminal Body: Copper
Plating: Tin



Order No.	Dimension (mm)				Wire Range		Colour
	F	L	H	D	AWG	mm2	
304-150	1.9	20.0	10.0	4.3	22-16	0.5-1.5	Red
304-151	1.9	22.0	10.0	4.3	22-16	0.5-1.5	Red
304-250	1.9	20.0	10.0	4.9	16-14	1.5-2.5	Blue
304-251	1.9	22.0	10.0	4.9	16-14	1.5-2.5	Blue
304-600	2.8	25.5	13.0	6.7	12-10	4-6	Yellow