

DIN Rail and Accessories

DIN rail support brackets

- Angled support brackets raise and tilt mounting rails 30 degrees from mounting surface for easier wiring
- DN-ASB1 plated steel support bracket
- DN-ASB2-10 cold-rolled steel treated with galvanic zinc plating and passivation

DIN rail mounting clips

- Snap small devices not made for mounting onto 35mm DIN rails
- Zinc plated steel

DIN Rail Support Brackets and Mounting Clips			
Part Number	Description	Pcs/Pkg	Price Each
DN-ASB1	30°angled DIN rail support bracket (M6-1.0 screws not included)	50	
DN-ASB2-10	30°angled DIN rail support bracket (M6-1.0 screws included)	10	
DN-SSB25-10	1" (25 mm) DIN rail support bracket (M6-1.0 screws included)	10	
DN-SSB50-10	2" (50 mm) DIN rail support bracket (M6-1.0 screws included)	10	
DN-SSB70-10	2.75" (70 mm) DIN rail support bracket (M6-1.0 screws included)	10	
DN-SSB90-10	3.5" (90 mm) DIN rail support bracket (M6-1.0 screws included)	10	
DN-CLIP-FM4	DIN rail mounting clip with M4 x 0.7 mm threaded hole (Screws not included)	40	
DN-CLIP-FM4-5		5	
DN-CLIP-FM5	DIN rail mounting clip with M5 x 0.8 mm threaded hole (Screws not included)	40	
DN-CLIP-FM5-5		5	



DN-ASB1



DN-ASB2-10



DN-SSB25-10



DN-SSB50-10



DN-SSB70-10



DN-SSB90-10



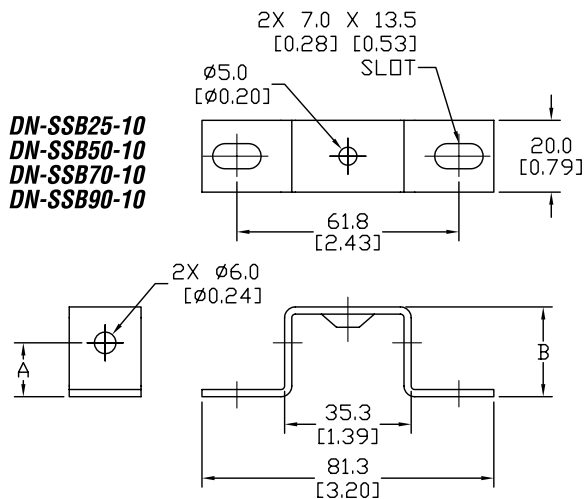
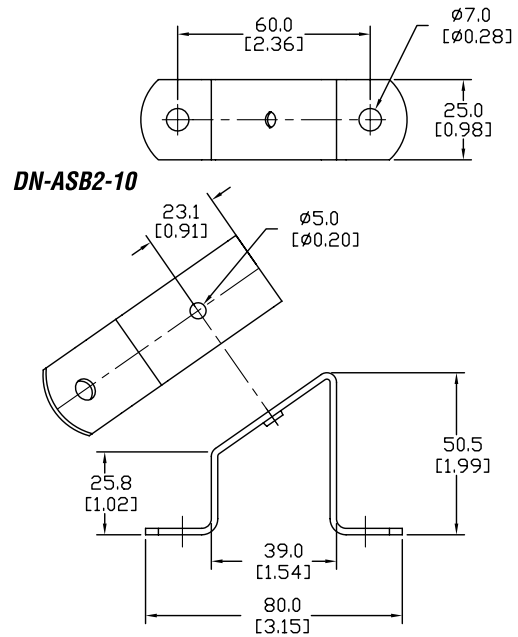
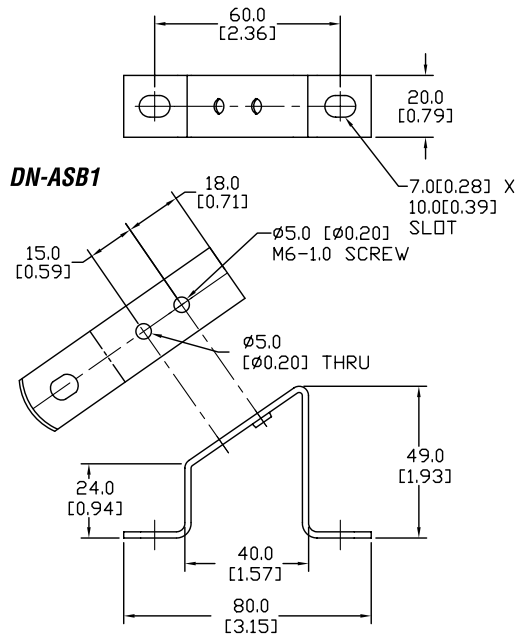
**DN-CLIP-FM4
DN-CLIP-FM4-5**



**DN-CLIP-FM5
DN-CLIP-FM5-5**

DIN Rail and Accessories

Dimensions mm [inches]



DIN Rail Support Brackets		
Part Number	DIM A mm [inches]	DIM B mm [inches]
DN-SSB25-10	15.0 [0.59]	25.0 [0.98]
DN-SSB50-10	40.0 [1.58]	50.0 [1.97]
DN-SSB70-10	60.0 [2.36]	70.0 [2.76]
DN-SSB90-10	80.0 [3.15]	90.0 [3.54]

