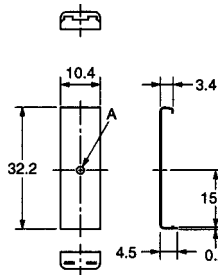


ACCESSORIES

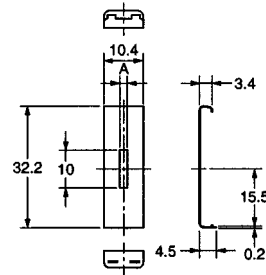
Slits

E39-S65A
E39-S65B
E39-S65C



| Model | Side A | Material |
|----------|----------|------------------------|
| E39-S65A | 0.5 dia. | SUS301 stainless steel |
| E39-S65B | 1.0 dia. | |
| E39-S65C | 2.0 dia. | |

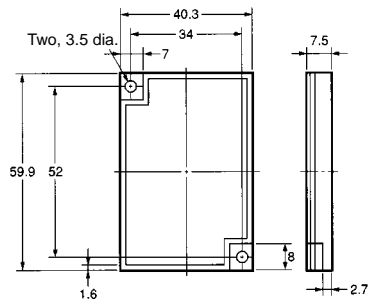
E39-S65D
E39-S65E
E39-S65F



| Model | Side A | Material |
|----------|--------|------------------------|
| E39-S65D | 0.5 | SUS301 stainless steel |
| E39-S65E | 1.0 | |
| E39-S65F | 2.0 | |

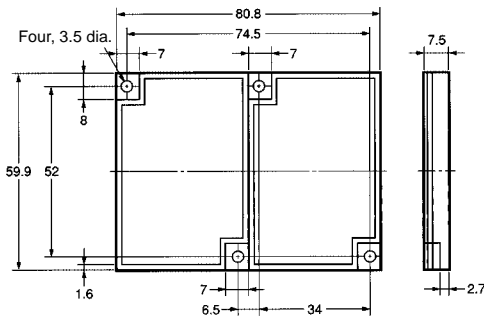
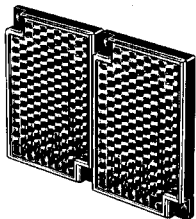
Reflectors

E39-R1
E39-R1S



Material
Surface: Acrylic resin
Backside: ABS resin

E39-R2



Material
Surface: Acrylic resin
Backside: ABS resin

Miniature Reflector

E39-R3



Material
Surface: Acrylic resin
Backside: ABS resin

