



## Ethernet unmanaged switch

### ICRL-U-8RJ45-DIN-NT

- Eight - 10/100BASE-TX ports
- Rugged housing for use in harsh environments
- Alarm relay output for port event notifications
- Redundant power input with input power range of 18 to 32VDC
- Suitable for PROFINET IO and EtherNet/IP

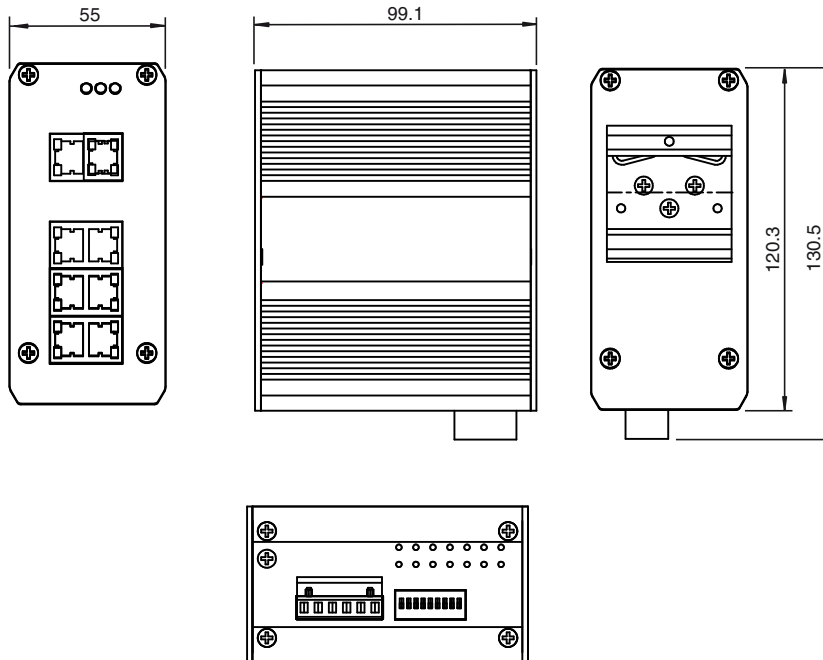
Ethernet unmanaged switch with 8 RJ45 ports and port alarm



## Function

The ICRL-U-8RJ45-DIN-NT industrial Ethernet switch is used to build high performance Ethernet networks. The switch is designed for applications that require normal operating temperature range, rugged housings, high-performance communications, and reliable data transfer. This unmanaged switch provides a cost-effective solution for low-level field device connections without the need for complex configuration.

## Dimensions



## Technical Data

### General specifications

UL File Number E185778

### Ethernet Interface

Auto-MDI(-X) yes

Release date: 2020-05-07 Date of issue: 2020-05-07 Filename: 70114053\_eng.pdf

Refer to "General Notes Relating to Pepperl+Fuchs Product Information".

Pepperl+Fuchs Group  
www.pepperl-fuchs.com

USA: +1 330 486 0001  
fa-info@us.pepperl-fuchs.com

Germany: +49 621 776 1111  
fa-info@de.pepperl-fuchs.com

Singapore: +65 6779 9091  
fa-info@sg.pepperl-fuchs.com

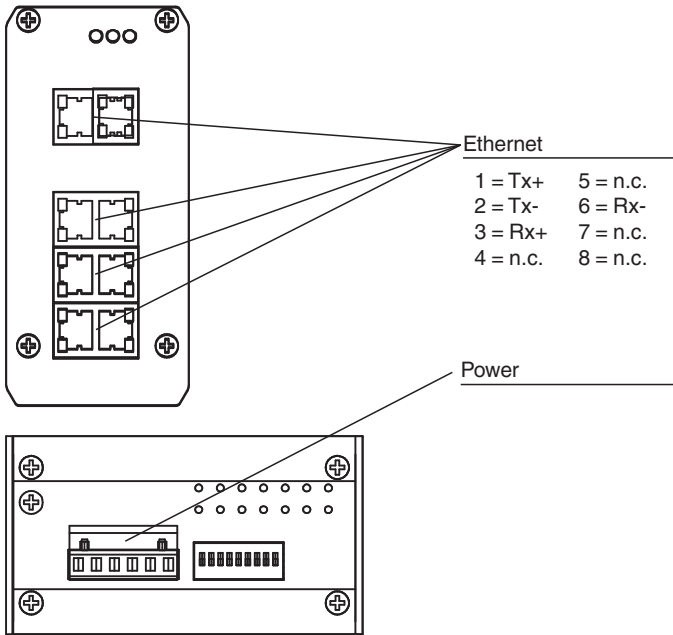
**PF** PEPPERL+FUCHS

## Technical Data

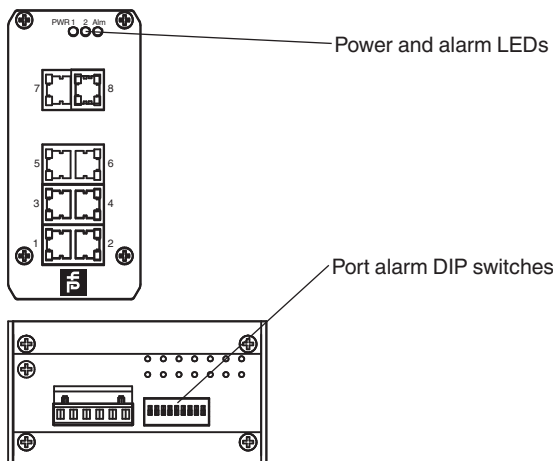
Autonegotiation		yes
<b>Standards</b>		
IEEE 802.3 10BASE-T		yes
IEEE 802.3u 100BASE-TX		yes
IEEE 802.3x Flow Control and Back-pressure		yes
IEEE 802.1Q Quality of Service (QoS)		yes
IEEE 802.1p Class of Service (CoS)		yes
<b>Indicators/operating means</b>		
LED indication		see manual
<b>Electrical specifications</b>		
Rated operating voltage	U <sub>e</sub>	10 ... 60 V DC
Power consumption		8 W
General information		Port Failure, DIP switch enabled, Relay Rating, 0,5A Max. @ 24VDC
Nominal voltage		24 V DC
Current consumption		typ. 330 mA
<b>Interface 1</b>		
Interface type		Industrial Ethernet
Physical		RJ45
Transfer rate		10/100 Mbps
<b>Inputs/Outputs</b>		
Number/Type		8 x RJ45
<b>Directive conformity</b>		
Electromagnetic compatibility		
Directive 2014/30/EU		EN61000-6-2, EN55024
<b>Standard conformity</b>		
Electrical safety		CSA C22.2 No. 60950 / CSA C22.2 No. 60950/UL60950
Emitted interference		EN 55055
Noise immunity		EN 55024
<b>Ambient conditions</b>		
Ambient temperature		-25 ... 70 °C (-13 ... 158 °F)
Storage temperature		-40 ... 85 °C (-40 ... 185 °F)
Relative humidity		max. 95 %
Altitude		0 ... 3048 m
<b>Mechanical specifications</b>		
Degree of protection		IP31
Connection		Power Supply Terminal Block Fieldbus 8 x RJ45
<b>Material</b>		
Housing		aluminium, black
Mass		590 g
Construction type		Cabinet module
Mounting		DIN rail or direct panel mounting

Release date: 2020-05-07 Date of issue: 2020-05-07 Filename: 70114053\_eng.pdf

Connection



Assembly



Accessories

	<b>V45-G-C5-GN1M-PUR-E1S</b>	Ethernet bus cable male cordset single-ended RJ45 PROFINET-coded, 4-pin, PUR cable green, Cat5e, shielded
	<b>V45-G-C5-GN3M-PUR-E1S</b>	Ethernet bus cable male cordset single-ended RJ45 PROFINET-coded, 4-pin, PUR cable green, Cat5e, shielded
	<b>V45-G-C5-GN10M-PUR-E1S</b>	Ethernet bus cable male cordset single-ended RJ45 PROFINET-coded, 4-pin, PUR cable green, Cat5e, shielded
	<b>V45-G-C5-GN1M-PUR-E1S-V45-G</b>	Ethernet bus cable RJ45 to RJ45 PROFINET-coded, 4-pin, PUR cable green, Cat5e, shielded
	<b>V45-G-C5-GN3M-PUR-E1S-V45-G</b>	Ethernet bus cable RJ45 to RJ45 PROFINET-coded, 4-pin, PUR cable green, Cat5e, shielded
	<b>V45-G-C5-GN10M-PUR-E1S-V45-G</b>	Ethernet bus cable RJ45 to RJ45 PROFINET-coded, 4-pin, PUR cable green, Cat5e, shielded

Release date: 2020-05-07 Date of issue: 2020-05-07 Filename: 70114053\_eng.pdf

Refer to "General Notes Relating to Pepperl+Fuchs Product Information".

**Accessories**



**V45-G-C5-GN20M-PUR-E1S-V45-G**

Ethernet bus cable RJ45 to RJ45 PROFINET-coded, 4-pin, PUR cable green, Cat5e, shielded

Release date: 2020-05-07 Date of issue: 2020-05-07 Filename: 70114053\_eng.pdf

Refer to "General Notes Relating to Pepperl+Fuchs Product Information".

Pepperl+Fuchs Group  
www.pepperl-fuchs.com

USA: +1 330 486 0001  
fa-info@us.pepperl-fuchs.com

Germany: +49 621 776 1111  
fa-info@de.pepperl-fuchs.com

Singapore: +65 6779 9091  
fa-info@sg.pepperl-fuchs.com